



EJ400 Expansion Joints

Material Specifications

All Stainless Steel Expansion Joints Available on Request

Body: A36 steel.

Slip Pipe: Type 304 stainless steel.

Bolts and Nuts: Trackhead bolts, heavy hex nuts, 5/8" UNC rolled thread, high strength, low alloy, corrosion resistant steel per AWWA C111. Stainless steel available on request.

Packing: Alternating combination of rubber and wax impregnated flax packing compounded for water service. Other packing material available upon request.

End Preparation: Flanged, beveled, grooved for welding, plain end, MJ with RomaGrips™ or customer specified.

Coating: Customer specified.

Use: In pipelines where larger than usual longitudinal movements are concentrated.

Romac Expansion Joints are available in Two (2) Models:

EJ401: No Limit Rods, Single End

EJ403: Limit Rods, Single End. For use when more than one expansion joint is used in series.

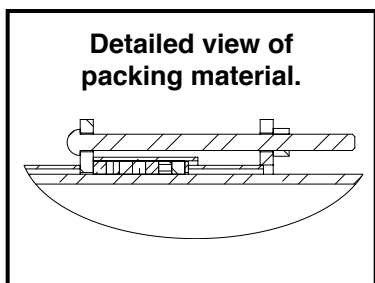
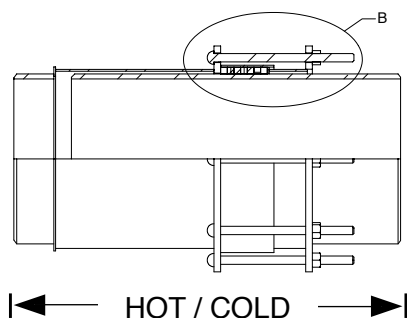
Romac Expansion Joints are factory designed and set for 10 inches of movement (total travel), unless otherwise specified. Romac Expansion Joints meet the requirements of AWWA C221.



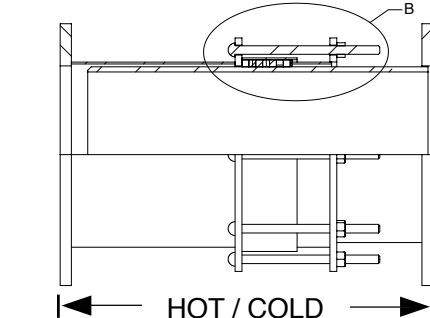
EJ401 w/flanged ends

EJ401 (no limit rods)

BEVELED ENDS

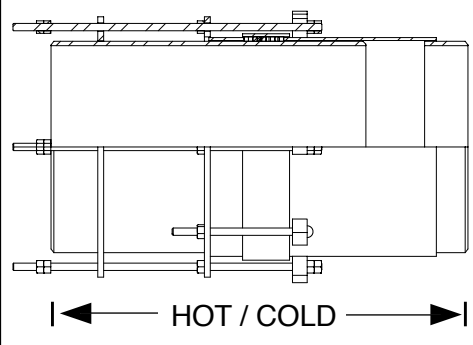


FLANGED ENDS

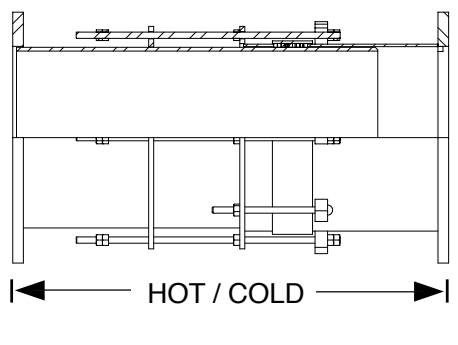


EJ403 (with Limit Rods)

BEVELED ENDS



FLANGED ENDS





1-800-426-9341



EJ401 Expansion Joints

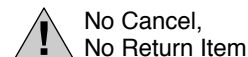
EJ401 (single end, no limit rods) BEVELED ENDS

NOM. PIPE SIZE	PIPE OD	CATALOG NUMBER	OVERALL DIMENSIONS			BOLTS 5/8 - 11 x 11"	LIMIT ROD LENGTH	APPROX. WEIGHT	LIST PRICE
			HOT	COLD	DIAMETER				
3"	3.50	EJ401-03-B	26.19	36.19	7.69	4	NA	36	POA
4"	4.50	EJ401-04-B	26.19	36.19	8.69	4		44	
5"	5.56	EJ401-05-B	26.38	36.38	9.75	4		54	
6"	6.63	EJ401-06-B	26.38	36.38	10.81	5		63	
8"	8.63	EJ401-08-B	26.38	36.38	12.81	6		115	
10"	10.75	EJ401-10-B	26.38	36.38	14.94	7		151	
12"	12.75	EJ401-12-B	26.38	36.38	16.94	8		181	
14"	14.00	EJ401-14-B	28.06	38.06	19.38	8		249	
16"	16.00	EJ401-16-B	28.06	38.06	21.38	8		283	
18"	18.00	EJ401-18-B	28.06	38.06	23.38	8		316	
20"	20.00	EJ401-20-B	28.06	38.06	25.38	10		353	
24"	24.00	EJ401-24-B	28.06	38.06	29.38	12		423	
30"	30.00	EJ401-30-B	28.06	38.06	35.38	14		527	
36"	36.00	EJ401-36-B	28.06	38.06	41.38	16		631	
42"	42.00	EJ401-42-B	28.06	38.06	47.38	20		738	
48"	48.00	EJ401-48-B	28.06	38.06	53.38	22		842	
54"	54.00	EJ401-54-B	28.25	38.25	59.38	24		1132	
60"	60.00	EJ401-60-B	28.25	38.25	65.38	28		1260	
72"	72.00	EJ401-72-B	28.25	38.25	77.38	32		1509	

EJ401 (single end, no limit rods) FLANGED ENDS (AWWA C207 Class D)*

NOM. PIPE SIZE	PIPE OD	CATALOG NUMBER	OVERALL DIMENSIONS			BOLTS 5/8 - 11 x 11"	LIMIT ROD LENGTH	WEIGHTS	LIST PRICE
			HOT	COLD	DIAMETER				
3"	3.50	EJ401-03-F	25.13	35.13	8.25	4	NA	51	POA
4"	4.50	EJ401-04-F	25.13	35.13	9.00	4		62	
5"	5.56	EJ401-05-F	25.25	35.25	10.00	4		74	
6"	6.63	EJ401-06-F	25.44	35.44	11.00	5		77	
8"	8.63	EJ401-08-F	25.44	35.44	13.50	6		138	
10"	10.75	EJ401-10-F	25.56	35.56	16.00	7		182	
12"	12.75	EJ401-12-F	25.94	35.94	19.00	8		238	
14"	14.00	EJ401-14-F	26.13	36.13	21.00	8		326	
16"	16.00	EJ401-16-F	26.06	36.06	23.50	8		379	
18"	18.00	EJ401-18-F	26.31	36.31	25.00	8		418	
20"	20.00	EJ401-20-F	26.44	36.44	27.50	10		484	
24"	24.00	EJ401-24-F	26.81	36.81	32.00	12		614	
30"	30.00	EJ401-30-F	27.06	37.06	38.75	14		815	
36"	36.00	EJ401-36-F	27.81	37.81	46.00	16		1109	
42"	42.00	EJ401-42-F	28.06	38.06	53.00	20		1415	
48"	48.00	EJ401-48-F	28.31	38.31	59.50	22		1706	
54"	54.00	EJ401-54-F	29.13	39.13	66.25	24		2324	
60"	60.00	EJ401-60-F	29.38	39.38	73.00	28		2749	
72"	72.00	EJ401-72-F	30.13	40.13	86.50	32		3882	

* Other Class flanges available on request.
Configurations may change depending on application.





1-800-426-9341



EJ403 Expansion Joints


EJ403 (single end, with limit rods) BEVELED ENDS

NOM. PIPE SIZE	PIPE OD	CATALOG NUMBER	OVERALL DIMENSIONS			BOLTS 5/8 - 11 x 11"	LIMIT ROD LENGTH	APPROX. WEIGHT	LIST PRICE
			HOT	COLD	DIAMETER				
3"	3.50	EJ403-03-B	30.19	40.19	7.69	4	26.00	47	POA
4"	4.50	EJ403-04-B	30.19	40.19	8.69	4	26.00	56	
5"	5.56	EJ403-05-B	30.38	40.38	9.75	4	25.88	66	
6"	6.63	EJ403-06-B	30.38	40.38	10.81	6	26.00	82	
8"	8.63	EJ403-08-B	30.38	40.38	12.81	6	25.88	139	
10"	10.75	EJ403-10-B	30.38	40.38	14.94	8	26.00	187	
12"	12.75	EJ403-12-B	30.38	40.38	16.94	8	25.88	217	
14"	14.00	EJ403-14-B	32.06	42.06	19.38	8	26.50	285	
16"	16.00	EJ403-16-B	32.06	42.06	21.38	8	26.50	322	
18"	18.00	EJ403-18-B	32.06	42.06	23.38	8	26.50	359	
20"	20.00	EJ403-20-B	32.06	42.06	25.38	10	26.50	401	
24"	24.00	EJ403-24-B	32.06	42.06	29.38	12	26.50	481	
30"	30.00	EJ403-30-B	32.06	42.06	35.38	14	26.50	597	
36"	36.00	EJ403-36-B	32.06	42.06	41.38	16	26.50	714	
42"	42.00	EJ403-42-B	32.06	42.06	47.38	20	26.50	835	
48"	48.00	EJ403-48-B	32.06	42.06	53.38	22	26.50	952	
54"	54.00	EJ403-54-B	32.25	42.25	59.38	24	26.75	1259	
60"	60.00	EJ403-60-B	32.25	42.25	65.38	28	26.75	1401	
72"	72.00	EJ403-72-B	32.25	42.25	77.38	32	26.75	1677	

EJ403 (single end, with limit rods) FLANGED ENDS

NOM. PIPE SIZE	PIPE OD	CATALOG NUMBER	OVERALL DIMENSIONS			BOLTS 5/8 - 11 x 11"	LIMIT ROD LENGTH	WEIGHTS	LIST PRICE
			HOT	COLD	DIAMETER				
3"	3.50	EJ403-03-F	40.25	50.25	8.25	4	26.63	59	POA
4"	4.50	EJ403-04-F	40.25	50.25	9.00	4	26.63	72	
5"	5.56	EJ403-05-F	40.56	50.56	10.00	4	26.63	87	
6"	6.63	EJ403-06-F	40.75	50.75	11.00	6	26.75	95	
8"	8.63	EJ403-08-F	40.75	50.75	13.50	6	26.63	180	
10"	10.75	EJ403-10-F	40.88	50.88	16.00	8	26.88	243	
12"	12.75	EJ403-12-F	41.25	51.25	19.00	8	26.75	309	
14"	14.00	EJ403-14-F	41.19	51.19	21.00	8	27.50	363	
16"	16.00	EJ403-16-F	41.31	51.31	23.50	8	27.50	425	
18"	18.00	EJ403-18-F	41.56	51.56	25.00	8	27.75	467	
20"	20.00	EJ403-20-F	41.69	51.69	27.50	10	27.75	539	
24"	24.00	EJ403-24-F	42.06	52.06	32.00	12	27.75	680	
30"	30.00	EJ403-30-F	42.31	52.31	38.75	14	27.75	895	
36"	36.00	EJ403-36-F	43.06	53.06	46.00	16	28.00	1207	
42"	42.00	EJ403-42-F	43.31	53.31	53.00	20	28.00	1534	
48"	48.00	EJ403-48-F	43.56	53.56	59.50	22	28.00	1842	
54"	54.00	EJ403-54-F	44.50	54.50	66.25	24	28.50	2477	
60"	60.00	EJ403-60-F	44.75	54.75	73.00	28	28.50	2924	
72"	72.00	EJ403-72-F	45.50	55.50	86.50	32	28.50	4106	

* Other Class flanges available on request.
Configurations may change depending on application.

 No Cancel,
No Return Item