



# “FTS420T” Fabricated Steel Tapping Saddle

**Material Specifications**

- Body:** Carbon steel, A-36 or equal.
- Outlet:** NPT (IP) or AWWA (CC) Female Threads
- Bolts and Nuts:** Trackhead bolts, heavy hex nuts, 3/4" UNC rolled thread, high strength, low alloy, steel per AWWA C111. Optional stainless steel, type 304.
- Gaskets:** SBR per ASTM D 2000 MBA 710, compounded for water and sewer service use. Other compounds available on request.
- Paint:** Romac shopcoat for corrosion protection in transit. Optional fusion epoxy 8-12 mil. lined and coated. Other coatings available. Romac packages sleeves to protect any special coatings.

(Contact Factory for IPS size PVC pipe)

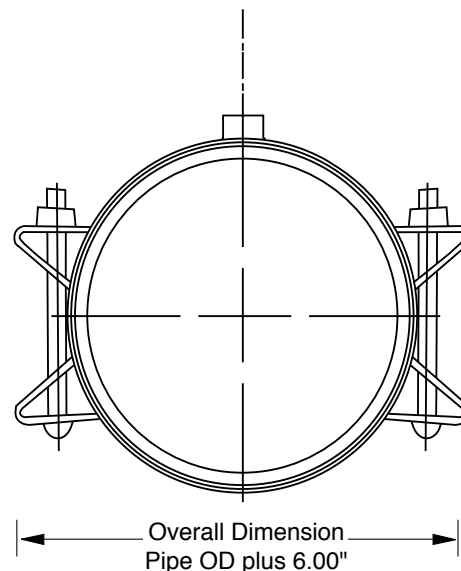
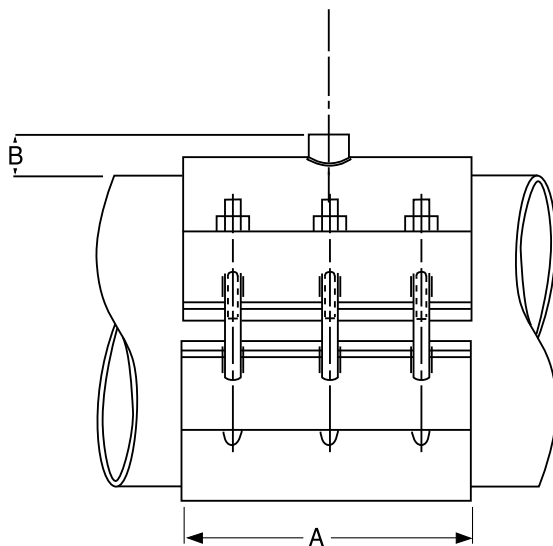


**Use:** The FTS420T Fabricated Tapping Saddle is used to make a branch outlet from a main supply line on most types of pipe except reinforced concrete cylinder pipe. It is furnished with shopcoat paint and alloy bolts, or epoxy lined and coated with stainless steel nuts and bolts.

Romac’s unique sealing gasket is reinforced with a stainless steel ring, molded into the gasket in our own rubber facility. This eliminates the need for a groove in the sleeve, making the shell “full strength.”

MAIN SIZE	OUTLET SIZE	A	B	BOLTS
				QTY: SIZE
6" - 32"	3/4" - 2 1/2"	8"	1.7	4: 3/4" x 9" <sup>1</sup>
6" - 20"	3"	8"	2.0	4: 3/4" x 9" <sup>1</sup>
24" - 32"	3"	12"	2.0	6: 3/4" x 9"
6" - 32"	4"	12"	2.2	6: 3/4" x 9" <sup>1</sup>

<sup>1</sup>Bolts are 8" long up through 12".





# “FTS420T” Fabricated Steel Tapping Saddle

NOMINAL	SLEEVE O.D. RANGE	CATALOG NUMBER			LIST PRICE EACH				APPROX. WEIGHT (lbs.)
		SLEEVE NUMBER	BY	OUTLET SIZE	SHOPCOAT		FUSION EPOXY		
					w/STD B&N	w/304 SS B&N	w/STD B&N	w/304 SS B&N	
6"	6.83 - 7.16	FTS420T - 7.16	X	3/4", 1", 1 1/4", 1 1/2", 2" 2 1/2" IP, CC	\$354.96	\$422.80	\$425.42	\$493.26	29#
	7.05 - 7.40	FTS420T - 7.40		3" FIP	439.08	506.94	509.54	577.39	33#
	7.40 - 7.73	FTS420T - 7.73		4" FIP	502.16	603.90	607.84	709.59	50#
8"	7.74 - 8.35	FTS420T - 8.35	X	3/4", 1", 1 1/4", 1 1/2", 2" 2 1/2" IP, CC	368.73	436.58	445.10	512.94	34#
	8.36 - 8.75	FTS420T - 8.75			452.85	520.71	529.21	597.07	38#
	8.98 - 9.37	FTS420T - 9.37			515.21	616.95	629.72	731.46	59#
	9.27 - 9.69	FTS420T - 9.69							
10"	9.83 - 10.25	FTS420T - 10.25	X	3/4", 1", 1 1/4", 1 1/2", 2" 2 1/2" IP, CC	475.17	543.03	558.10	625.94	39#
	10.64 - 10.86	FTS420T - 10.86			559.29	627.13	642.21	710.05	43#
	10.87 - 11.02	FTS420T - 11.02			609.53	711.28	733.96	835.70	66#
	11.03 - 11.47	FTS420T - 11.47							
	11.36 - 11.80	FTS420T - 11.80							
12"	12.25 - 12.61	FTS420T - 12.61	X	3/4", 1", 1 1/4", 1 1/2", 2" 2 1/2" IP, CC	493.37	561.20	585.06	652.91	44#
	12.62 - 12.88	FTS420T - 12.88			577.48	645.33	669.19	737.05	48#
	13.13 - 13.60	FTS420T - 13.60			625.52	727.27	763.09	864.83	74#
	13.60 - 14.09	FTS420T - 14.09							
14"	14.59 - 15.08	FTS420T - 15.08	X	3/4", 1", 1 1/4", 1 1/2", 2" 2 1/2" IP, CC	510.79	578.62	610.90	678.74	47#
	15.23 - 15.80	FTS420T - 15.80			594.88	662.72	694.99	762.83	51#
	15.73 - 16.22	FTS420T - 16.22			641.30	743.04	791.39	893.13	78#
	16.30 - 16.73	FTS420T - 16.73							
16"	16.74 - 17.26	FTS420T - 17.26	X	3/4", 1", 1 1/4", 1 1/2", 2" 2 1/2" IP, CC	528.60	596.45	645.51	713.35	54#
	17.33 - 17.87	FTS420T - 17.87			612.71	680.56	729.61	797.46	58#
	17.88 - 18.43	FTS420T - 18.43			657.07	758.83	832.48	934.23	88#
	18.44 - 18.61	FTS420T - 18.61							
18"	18.87 - 19.45	FTS420T - 19.45	X	3/4", 1", 1 1/4", 1 1/2", 2" 2 1/2" IP, CC	550.62	618.47	671.58	739.44	63#
	19.41 - 20.01	FTS420T - 20.01			634.74	702.58	755.72	823.56	78#
	20.00 - 20.60	FTS420T - 20.60			694.71	796.46	876.25	978.01	96#
	20.29 - 20.94	FTS420T - 20.94							
	20.93 - 21.57	FTS420T - 21.57							
20"	21.51 - 22.15	FTS420T - 22.15	X	3/4", 1", 1 1/4", 1 1/2", 2" 2 1/2" IP, CC	579.46	647.30	704.50	772.35	65#
	22.16 - 22.81	FTS420T - 22.81			663.56	731.42	788.61	856.45	69#
	22.78 - 23.45	FTS420T - 23.45			702.59	804.35	890.25	992.00	106#
	23.46 - 24.16	FTS420T - 24.16							
	24.15 - 24.85	FTS420T - 24.85							
24"	24.82 - 25.52	FTS420T - 25.52	X	3/4", 1", 1 1/4", 1 1/2", 2" 2 1/2" IP, CC	603.50	671.35	742.89	806.61	111#
	25.71 - 26.41	FTS420T - 26.41			723.72	791.55	926.65	994.50	115#
	26.55 - 27.25	FTS420T - 27.25			723.72	825.45	926.65	1,028.40	119#
	27.26 - 27.96	FTS420T - 27.96							
	27.96 - 28.13	FTS420T - 28.13							
	28.14 - 28.84	FTS420T - 28.84							
30"	29.78 - 30.48	FTS420T - 30.48	X	3/4", 1", 1 1/4", 1 1/2", 2" 2 1/2" IP, CC	656.17	724.02	801.81	869.65	131#
	30.48 - 31.18	FTS420T - 31.18			782.62	850.46	1,001.04	1,068.88	135#
	31.52 - 32.22	FTS420T - 32.22			782.62	884.37	1,001.04	1,102.80	139#

Other sizes, ranges and outlets available. Price on application.

No Cancel, No Return Item

**To Order:** Specify catalog number by the desired O.D. range and outlet size. Add S.S. for optional 304 stainless steel bolts & nuts, and F.E. for optional 8 to 12 mils of fusion bonded epoxy.

**Example:** FTS420T - 17.87 x 2 1/2" IP - SSFE