

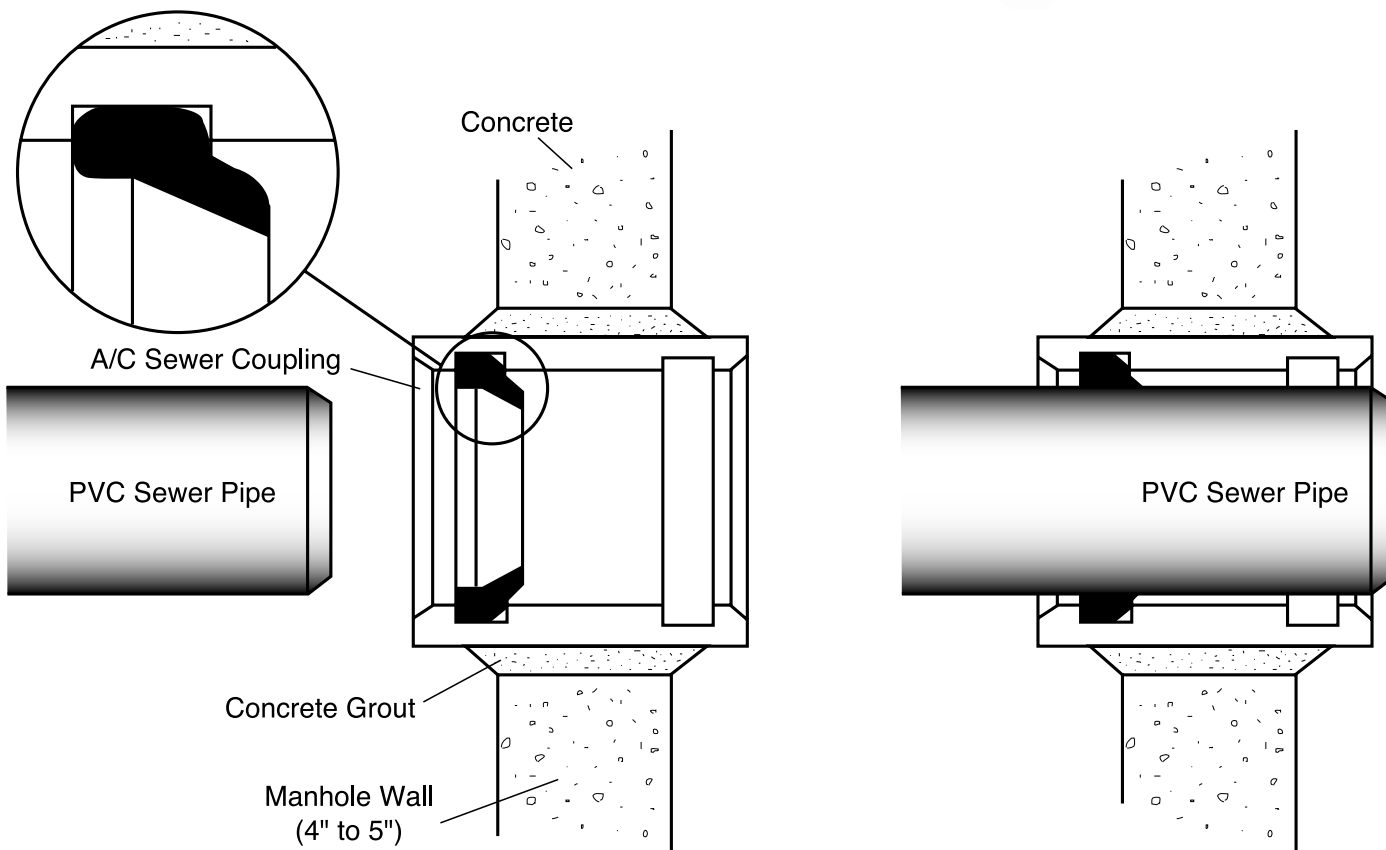


A/C x PVC Sewer Adapter Gasket

Material Specifications

Gasket: SBR per ASTM D 2000 MBA 710, compounded for water and sewer service. Other compounds available on request.

Use: The gasket is designed to be used in an A/C sewer coupling to adapt PVC sewer pipe to the coupling. The coupling is grouted in a sewer manhole wall.



NOMINAL PIPE SIZE	CATALOG NUMBER	APPROXIMATE WEIGHT (lbs.)	LIST PRICE
4"	4" AC X PVC Sewer Gasket	.20#	\$12.44
6"	6" AC X PVC Sewer Gasket	.25#	14.22
8"	8" AC X PVC Sewer Gasket	.45#	20.92

To Order: Specify catalog number.