



A ROMAC ORIGINAL
- 1981 -



Patent #4494780

Design Advantages:

- **Inventory Reduction:** Unique gaskets fit wide range of diameters.
- **Ease of Installation:** Saddle can be installed by unskilled labor, using a socket or open end wrench. Built-in stop prevents blockages due to inadvertant insertion of branch into main.
- **Superior Strap:** Strong 304 stainless steel band GMAW & GTAW welded to roll threaded 304 stainless bolts adjusts over a wide range. Clamping force is well distributed by 3 1/2" width.
- **Flexibility:** Gasket allows considerable deflection due to earth movement, while large sealing surface and wide band strongly resist displacement.
- **Reliability:** Continuous rubber connection between rim and branch eliminates potential leak spots. Saddles have been tested to pressures well in excess of typical service test requirements.

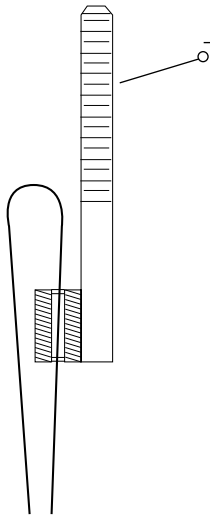
Note: A pipe stop capable of withstanding 1000 pounds of thrust is molded into the CB saddle gasket. Care must be taken during system design and installation to assure that this thrust limit is not exceeded.



Detail Specifications for Romac "CB"™ Sewer Saddles

Adjustable Strap

Bolts are 1/2" UNC rolled thread, lubricant coated bolt or nut, stainless steel per ASTM A 193, type 304. Nuts are stainless steel per ASTM A 194, type 304. Washers are stainless steel per ASTM A 240, type 304. Band is 3 1/2" wide for spreading out clamp force on pipe. The stainless welds are fully passivated¹. Excess strap goes between pipe and band.



Gasket

SBR per ASTM D 2000 MBA 710, compounded for water and sewer service. Gaskets are especially formulated with antioxidant/antiozonant agent to increase shelf life.

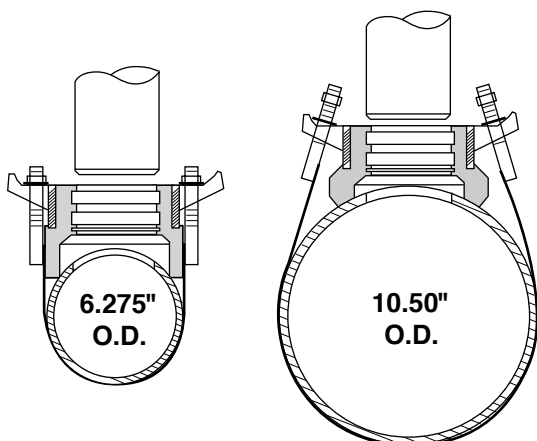


Saddle Casting

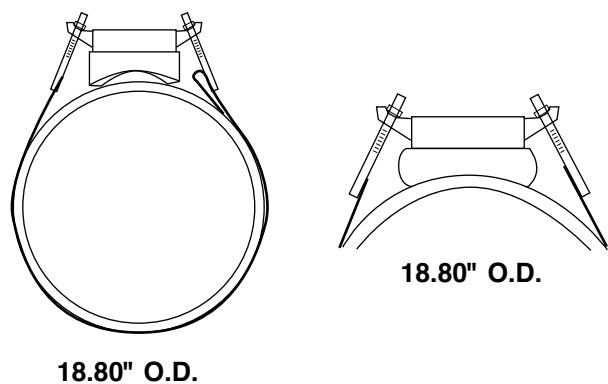
Ductile iron per ASTM 536, Grade 65-45-12. Protected with a yellow corrosion-resistant paint.

¹ **Passivated:** chemically treated after welding to produce a highly corrosion resistant coating.

Same saddle conforming to different outside diameters.



Saddle conforming to pipe.





Style "CB"™ Sewer Saddle

Material Specifications

Castings: Ductile iron per ASTM 536, Grade 65-45-12. Protected with a yellow shopcoat.

Adjustable Strap: 3 1/2" wide, stainless steel per ASTM A 240, type 304.

Bolts: 1/2" UNC rolled thread, lubricant coated, stainless steel per ASTM A 193, type 304.

Nuts: Stainless steel per ASTM A 194, type 304.

Washers: Stainless steel per ASTM A 240, type 304 and plastic lubricating washers.

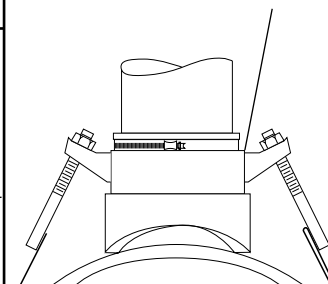
Gasket: SBR per ASTM D 2000 MBA 710, compounded for water and sewer service. Other compounds available on request.



CB-4.63UN
Patent #4494780

NOM. BRANCH SIZE	NOM. PIPE SIZE	RANGE	BRANCH TYPE	BRANCH O.D.	CATALOG NUMBER	LIST PRICE	ADD-ON EPOXY	APPROX. WEIGHT (lbs.)
4"	6"-12" 48" Strap	2 6.27-14.40 Regular Gasket	PVC Sewer	4.215	CB-4.215	\$113.96		10 #
			Tyseal	4.28	CB-4.28			
			C.I. Soil-No Hub	4.38	CB-4.38			
			PVC	4.50	CB-4.50			
			Universal ¹	4.20-4.80	CB-4.80UN ¹			
			Clay ¹	5.00-5.38	CB-5.38 ¹			
	14"-24" 96" Strap	14.40-25.80 Large O.D. Gasket	PVC Sewer	4.215	CB-4.215LS	144.91	\$34.66	11 #
			Tyseal	4.28	CB-4.28LS			
			C.I. Soil-No Hub	4.38	CB-4.38LS			
			PVC	4.50	CB-4.50LS			
			Universal ¹	4.20-4.80	CB-4.80UNLS ¹			
			Clay ¹	5.00-5.38	CB-5.38LS ¹			
	24"-48" 192" Strap	25.80-54.00 Large O.D. Gasket	PVC Sewer	4.215	CB-4.215XLS	268.96		13 #
			Tyseal	4.28	CB-4.28XLS			
			C.I. Soil-No Hub	4.38	CB-4.38XLS			
PVC			4.50	CB-4.50XLS				
Universal ¹			4.20-4.80	CB-4.80UNXLS ¹				
Clay ¹			5.00-5.38	CB-5.38XLS ¹				
6"	8"-12" 48" Strap	2 8.00-14.40 Regular Gasket	PVC Sewer	6.27-6.30	CB-6.30	151.91		12 #
			C.I. Soil-No Hub					
			A/C M.E. Sewer	6.66	CB-6.66			
			Universal ¹	6.27-6.66	CB-6.66UN ¹			
			Cast Iron-D.I.	6.90	CB-6.90			
			Clay ¹	7.19-7.56	CB-7.56 ¹			
	14"-24" 96" Strap	14.40-25.80 Large O.D. Gasket	PVC Sewer	6.27-6.30	CB-6.30LS	181.40	52.43	13 #
			C.I. Soil-No Hub					
			A/C M.E. Sewer	6.66	CB-6.66LS			
			Universal ¹	6.27-6.66	CB-6.66UNLS ¹			
			Cast Iron-D.I.	6.90	CB-6.90LS			
			Clay ¹	7.19-7.56	CB-7.56LS ¹			
	24"-48" 192" Strap	25.80-54.00 Large O.D. Gasket	PVC Sewer	6.27-6.30	CB-6.30XLS	305.45		15 #
			C.I. Soil-No Hub					
			A/C M.E. Sewer	6.66	CB-6.66XLS			
Universal ¹			6.27-6.66	CB-6.66UNXLS ¹				
Cast Iron-D.I.			6.90	CB-6.90XLS				
Clay ¹			7.19-7.56	CB-7.56XLS ¹				

Stainless Steel Hose Clamp



¹ CB Sewer Saddles for Universal and Clay pipe include stainless steel hose clamp.

² Regular gaskets are NOT interchangeable with large gaskets.

PARTS LIST

BRANCH SIZE	SIZE	GASKET	SADDLE CASTING	SLIDING BOLT	STRAP
4"	6-12"	\$37.15	\$39.96	\$13.58	REG (48") \$36.85
	14-24"	50.67			LS (96") 54.28
	24-48"	50.67			
6"	8-12"	65.42	49.64	13.58	
	14-24"	77.48			XLS (192") 178.33
	24-48"	77.48			

To Order: Specify catalog number.

Example: To fit 4" branch to 6" -12" nominal pipe with branch 4.20 - 4.80, order

CB-4.80UN