



# Style "400" Steel Coupling

(For 12" and Larger Pipe)

**Material Specifications**

**Center Rings:** Beveled, flared or formed carbon steel with minimum yield of 30,000 PSI.

**End Rings:** Contoured rolled mill section carbon steel. End-ring thickness determined by pipe O.D. and pressure rating.

**Gaskets:** Compounded for water and sewer service. Meets the requirements of AWWA C219 and ASTM D2000. Other compounds available on request.

**Bolts and Nuts:** Trackhead bolts, heavy hex nuts, 5/8" UNC rolled thread, high strength, low alloy corrosion-resistant steel per AWWA C111. Threads protected with plastic caps on each bolt end.

**Paint:** Romac shopcoat for corrosion protection in transit.

**Specials:** Center ring length and thickness not shown, special linings and coatings desired, diameters and pressure ratings not shown. Prices and availability on request.

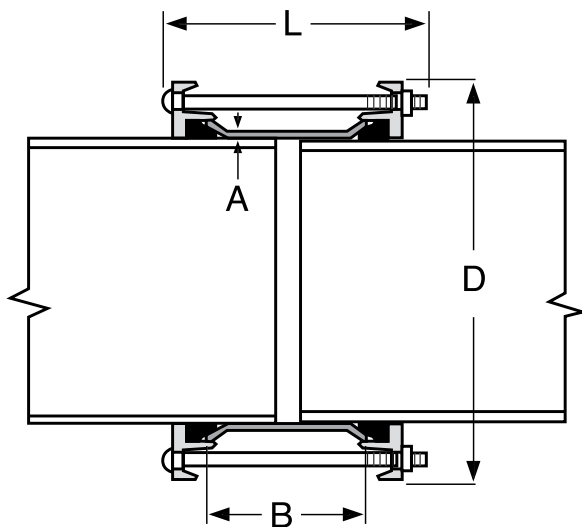
**Options:** Available for pipe sizes 12" - 200". For other options and specifications, see page 2-24.

**Use:** To flexibly couple pipe of the same diameters. See Style TC400 on Page 2-22 for limited range if O.D. is not known.

Style 400 Couplings comply with the requirement of AWWA C219.



**For restrained "400" steel couplings, see page 7-9**



**DIMENSIONS**  
 Refer to chart on following page  
**A** Center ring thickness  
**B** Center ring length  
**D** Overall coupling diameter  
**L** Overall coupling length.

**To Order:** Determine pipe size, center ring thickness and length. Any special gaskets, linings and coatings, or nuts and bolts should be described in full.

**Example:** To couple 16" O.D. steel pipe with a coupling wall thickness of .250 and 7" long, order **400-16.00-1**



**WARNING:** Flexible couplings do not provide protection against possible pullout of pipe ends in unrestrained conditions.



# Style "400" Steel Coupling

STYLE "400" STEEL COUPLINGS FOR JOINING PLAIN-END PIPE TO PLAIN-END PIPE											
NOM. PIPE SIZE	OUTSIDE DIAMETER O.D.	CENTER RING (A) x (B)	CATALOG NUMBER	LIST PRICE						BOLT NUMBER: SIZE	LENGTH OVERALL (L)
				SHOPCOAT			FUSION EPOXY				
				w/STD B&N	w/304 SS B&N	w/316 B&N	w/STD B&N	w/304 SS B&N	w/316 B&N		
12"	13.20	1/4" x 7"	400-13.20-1	\$572.25	\$686.86	\$891.15	\$824.32	\$938.94	\$1,143.22	8:5/8" x 11 1/2"	12"
	13.20	1/4" x 10"	400-13.20-1A	862.67	1,001.39	1,207.89	1,139.71	1,278.41	1,484.93	8:5/8" x 15"	15 1/2"
	13.20	3/8" x 7"	400-13.20-2	749.21	863.83	1,068.11	1,001.29	1,115.90	1,320.18	8:5/8" x 11 1/2"	12"
	13.20	3/8" x 10"	400-13.20-3	975.65	1,114.35	1,320.87	1,253.20	1,391.36	1,597.90	8:5/8" x 15"	15 1/2"
14"	14.00	1/4" x 7"	400-14.00-1	572.25	686.86	891.15	824.32	938.94	1,143.22	8:5/8" x 11 1/2"	12"
	14.00	1/4" x 10"	400-14.00-1A	890.78	1,029.48	1,236.00	1,168.33	1,306.52	1,513.03	8:5/8" x 15"	15 1/2"
	14.00	3/8" x 7"	400-14.00-2	749.21	863.83	1,068.11	1,001.29	1,115.90	1,320.18	8:5/8" x 11 1/2"	12"
	14.00	3/8" x 10"	400-14.00-3	988.14	1,126.83	1,333.34	1,265.69	1,403.85	1,610.91	8:5/8" x 15"	15 1/2"
	15.30	1/4" x 7"	400-15.30-1	699.03	842.32	1,097.65	994.45	1,137.73	1,393.08	10:5/8" x 11 1/2"	12"
	15.30	1/4" x 10"	400-15.30-1A	976.90	1,157.15	1,408.42	1,314.52	1,494.77	1,746.05	10:5/8" x 15"	15 1/2"
	15.30	3/8" x 7"	400-15.30-2	800.92	944.20	1,199.54	1,096.33	1,239.61	1,494.95	10:5/8" x 11 1/2"	12"
	15.30	3/8" x 10"	400-15.30-3	1,090.15	1,270.42	1,521.67	1,427.78	1,608.03	1,859.30	10:5/8" x 15"	15 1/2"
16"	16.00	1/4" x 7"	400-16.00-1	699.03	842.32	1,097.65	994.45	1,137.73	1,393.08	10:5/8" x 11 1/2"	12"
	16.00	1/4" x 10"	400-16.00-1A	976.90	1,157.15	1,408.42	1,314.52	1,494.77	1,746.05	10:5/8" x 15"	15 1/2"
	16.00	3/8" x 7"	400-16.00-2	800.92	944.20	1,199.54	1,096.33	1,239.61	1,494.95	10:5/8" x 11 1/2"	12"
	16.00	3/8" x 10"	400-16.00-3	1,090.15	1,270.42	1,521.67	1,427.78	1,608.03	1,859.30	10:5/8" x 15"	15 1/2"
	17.40	1/4" x 7"	400-17.40-1	728.58	871.86	1,127.21	1,060.58	1,204.35	1,459.20	10:5/8" x 11 1/2"	12"
	17.40	1/4" x 10"	400-17.40-1A	1,008.54	1,188.80	1,440.06	1,387.98	1,568.23	1,819.50	10:5/8" x 15"	15 1/2"
	17.40	3/8" x 7"	400-17.40-2	881.96	1,025.24	1,280.58	1,357.22	1,501.00	1,612.58	10:5/8" x 11 1/2"	12"
	17.40	3/8" x 10"	400-17.40-3	1,103.13	1,283.38	1,534.65	1,482.57	1,662.82	1,914.09	10:5/8" x 15"	15 1/2"
18"	18.00	1/4" x 7"	400-18.00-1	728.58	871.86	1,127.21	1,060.58	1,203.85	1,459.20	10:5/8" x 11 1/2"	12"
	18.00	1/4" x 10"	400-18.00-1A	1,040.59	1,220.84	1,472.10	1,419.91	1,600.28	1,851.55	10:5/8" x 15"	15 1/2"
	18.00	3/8" x 7"	400-18.00-2	899.66	1,042.95	1,298.28	1,231.65	1,374.93	1,630.27	10:5/8" x 11 1/2"	12"
	18.00	3/8" x 10"	400-18.00-3	1,154.52	1,334.77	1,586.03	1,533.84	1,714.21	1,965.48	10:5/8" x 15"	15 1/2"
	19.50	1/4" x 7"	400-19.50-1	887.86	1,059.86	1,366.21	1,246.11	1,418.10	1,724.45	12:5/8" x 11 1/2"	12"
	19.50	1/4" x 10"	400-19.50-1A	1,090.44	1,306.79	1,608.26	1,499.85	1,716.20	2,017.68	12:5/8" x 15"	15 1/2"
	19.50	3/8" x 7"	400-19.50-2	966.08	1,138.09	1,444.43	1,668.33	1,496.32	1,802.68	12:5/8" x 11 1/2"	12"
	19.50	3/8" x 10"	400-19.50-3	1,212.27	1,428.62	1,730.09	1,621.70	1,838.03	2,139.52	12:5/8" x 15"	15 1/2"
20"	20.00	1/4" x 7"	400-20.00-1	887.86	1,059.86	1,366.21	1,246.11	1,418.10	1,724.45	12:5/8" x 11 1/2"	12"
	20.00	1/4" x 10"	400-20.00-1A	1,122.52	1,338.89	1,640.34	1,531.96	1,748.30	2,049.75	12:5/8" x 15"	15 1/2"
	20.00	3/8" x 7"	400-20.00-2	988.14	1,160.12	1,466.49	1,346.37	1,518.36	1,824.73	12:5/8" x 11 1/2"	12"
	20.00	3/8" x 10"	400-20.00-3	1,236.93	1,453.28	1,754.75	1,646.34	1,862.70	2,164.16	12:5/8" x 15"	15 1/2"
	21.60	1/4" x 7"	400-21.60-1	952.72	1,124.71	1,431.07	1,329.66	1,501.65	1,808.02	12:5/8" x 11 1/2"	12"
	21.60	1/4" x 10"	400-21.60-1A	1,149.74	1,366.10	1,667.56	1,580.55	1,796.90	2,098.37	12:5/8" x 15"	15 1/2"
	21.60	3/8" x 7"	400-21.60-2	1,306.66	1,478.67	1,628.09	1,683.61	1,855.62	2,005.04	12:5/8" x 11 1/2"	12"
	21.60	3/8" x 10"	400-21.60-3	1,634.07	1,850.42	2,151.89	2,064.87	2,281.23	2,582.69	12:5/8" x 15"	15 1/2"
22"	22.00	1/4" x 7"	400-22.00-1	952.72	1,124.71	1,431.07	1,329.66	1,501.65	1,808.02	12:5/8" x 11 1/2"	12"
	22.00	1/4" x 10"	400-22.00-1A	1,149.74	1,366.10	1,667.56	1,580.55	1,796.90	2,098.37	12:5/8" x 15"	15 1/2"
	22.00	3/8" x 7"	400-22.00-2	1,306.66	1,478.67	1,628.09	1,683.61	1,855.62	2,005.04	12:5/8" x 11 1/2"	12"
	22.00	3/8" x 10"	400-22.00-3	1,634.07	1,850.42	2,151.89	2,064.87	2,281.23	2,582.69	12:5/8" x 15"	15 1/2"
24"	24.00	1/4" x 7"	400-24.00-1	1,109.04	1,309.68	1,667.12	1,511.76	1,722.24	2,069.84	14:5/8" x 11 1/2"	12"
	24.00	1/4" x 10"	400-24.00-1A	1,251.61	1,503.99	1,855.73	1,711.83	1,964.21	2,315.96	14:5/8" x 15"	15 1/2"
	24.00	3/8" x 7"	400-24.00-2	1,406.96	1,607.61	1,965.03	1,809.67	2,010.30	2,367.76	14:5/8" x 11 1/2"	12"
	24.00	3/8" x 10"	400-24.00-3	1,636.82	1,889.20	2,240.95	2,097.05	2,349.42	2,701.17	14:5/8" x 15"	15 1/2"

Other sizes available. Price on application.



Large Size Style 400 Couplings are No Cancel, No Return Items.



WARNING: Flexible couplings do not provide protection against possible pullout of pipe ends in unrestrained conditions.



# Style "400" Steel Coupling

NOM. PIPE SIZE	OUTSIDE DIAMETER O.D.	CENTER RING (A) x (B)	CATALOG NUMBER	LIST PRICE						BOLT NUMBER: SIZE	LENGTH OVERALL (L)
				SHOPCOAT			FUSION EPOXY				
				w/STD B&N	w/304 SS B&N	w/316 B&N	w/STD B&N	w/304 SS B&N	w/316 B&N		
24"	25.80	1/4" x 7"	400-25.80-1	\$1,156.61	\$1,357.24	\$1,714.70	\$1,693.02	\$1,893.65	\$2,251.10	14: 5/8" x 11 1/2"	12"
	25.80	1/4" x 10"	400-25.80-1A	1,278.96	1,531.36	1,883.09	1,891.98	2,144.37	2,496.10	14: 5/8" x 15"	15 1/2"
	25.80	3/8" x 7"	400-25.80-2	1,513.16	1,713.80	2,071.23	2,049.56	2,250.21	2,607.64	14: 5/8" x 11 1/2"	12"
	25.80	3/8" x 10"	400-25.80-3	1,893.65	2,146.03	2,497.78	2,506.64	2,759.05	3,110.78	14: 5/8" x 15"	15 1/2"
26"	26.00	1/4" x 7"	400-26.00-1	1,204.38	1,405.02	1,762.47	1,740.79	1,941.43	2,298.87	14: 5/8" x 11 1/2"	12"
	26.00	1/4" x 10"	400-26.00-1A	1,305.49	1,557.88	1,909.62	1,918.50	2,170.88	2,522.63	14: 5/8" x 15"	15 1/2"
	26.00	3/8" x 7"	400-26.00-2	1,515.85	1,716.49	2,073.92	2,052.26	2,252.88	2,610.33	14: 5/8" x 11 1/2"	12"
	26.00	3/8" x 10"	400-26.00-3	1,893.65	2,146.03	2,497.78	2,506.64	2,759.05	3,110.78	14: 5/8" x 15"	15 1/2"
28"	28.00	1/4" x 7"	400-28.00-1	1,240.94	1,470.26	1,878.74	1,785.42	2,014.73	2,423.22	16: 5/8" x 11 1/2"	12"
	28.00	1/4" x 10"	400-28.00-1A	1,379.23	1,667.70	2,069.66	2,001.41	2,289.88	2,691.84	16: 5/8" x 15"	15 1/2"
	28.00	3/8" x 7"	400-28.00-2	1,518.61	1,747.92	2,156.41	2,063.10	2,292.41	2,700.90	16: 5/8" x 11 1/2"	12"
	28.00	3/8" x 10"	400-28.00-3	1,896.42	2,184.89	2,586.84	2,518.59	2,807.07	3,209.03	16: 5/8" x 15"	15 1/2"
30"	30.00	1/4" x 7"	400-30.00-1	1,295.52	1,524.83	1,933.32	1,848.15	2,077.46	2,485.96	16: 5/8" x 11 1/2"	12"
	30.00	1/4" x 10"	400-30.00-1A	1,446.50	1,734.98	2,136.93	2,078.06	2,366.53	2,835.87	16: 5/8" x 15"	15 1/2"
	30.00	3/8" x 7"	400-30.00-2	1,521.32	1,750.63	2,159.13	2,073.94	2,303.25	2,711.75	16: 5/8" x 11 1/2"	12"
	30.00	3/8" x 10"	400-30.00-3	1,899.09	2,187.56	2,589.52	2,530.66	2,819.11	3,221.08	16: 5/8" x 15"	15 1/2"
	32.00	1/4" x 7"	400-32.00-1	1,340.06	1,569.38	1,977.86	1,900.19	2,129.50	2,537.99	16: 5/8" x 11 1/2"	12"
	32.00	1/4" x 10"	400-32.00-1A	1,496.46	1,784.93	2,186.89	2,145.44	2,433.91	2,835.88	16: 5/8" x 15"	15 1/2"
	32.00	3/8" x 7"	400-32.00-2	1,524.04	1,753.35	2,161.84	2,084.16	2,313.48	2,721.97	16: 5/8" x 11 1/2"	12"
	32.00	3/8" x 10"	400-32.00-3	1,901.84	2,190.30	2,592.26	2,550.82	2,839.29	3,241.24	16: 5/8" x 15"	15 1/2"
34"	34.00	1/4" x 7"	400-34.00-1	1,401.38	1,659.32	2,118.91	1,970.69	2,228.63	2,688.22	18: 5/8" x 11 1/2"	12"
	34.00	1/4" x 10"	400-34.00-1A	1,565.29	1,889.82	2,342.02	2,215.91	2,540.47	2,992.65	18: 5/8" x 15"	15 1/2"
	34.00	3/8" x 7"	400-34.00-2	1,542.62	1,800.56	2,260.15	2,111.94	2,369.89	2,829.47	18: 5/8" x 11 1/2"	12"
	34.00	3/8" x 10"	400-34.00-3	1,904.52	2,229.06	2,681.24	2,555.16	2,879.69	3,331.88	18: 5/8" x 15"	15 1/2"
36"	36.00	1/4" x 7"	400-36.00-1	1,445.95	1,703.89	2,163.48	2,023.79	2,281.73	2,740.92	18: 5/8" x 11 1/2"	12"
	36.00	1/4" x 10"	400-36.00-1A	1,617.07	1,941.60	2,393.81	2,277.45	2,601.98	3,054.18	18: 5/8" x 15"	15 1/2"
	36.00	3/8" x 7"	400-36.00-2	1,596.23	1,854.17	2,313.75	2,174.06	2,432.01	2,891.59	18: 5/8" x 11 1/2"	12"
	36.00	3/8" x 10"	400-36.00-3	1,907.28	2,231.82	2,684.01	2,567.65	2,892.19	3,344.38	18: 5/8" x 15"	15 1/2"
	38.30	1/4" x 7"	400-38.30-1	1,490.91	1,748.84	2,208.44	2,077.42	2,335.35	2,794.95	18: 5/8" x 11 1/2"	12"
	38.30	1/4" x 10"	400-38.30-1A	1,670.64	1,995.19	2,447.37	2,340.94	2,665.48	3,117.67	18: 5/8" x 15"	15 1/2"
	38.30	3/8" x 7"	400-38.30-2	1,649.48	1,907.40	2,367.00	2,236.00	2,493.95	2,953.51	18: 5/8" x 11 1/2"	12"
	38.30	3/8" x 10"	400-38.30-3	1,910.04	2,234.57	2,686.77	2,580.34	2,904.87	3,357.07	18: 5/8" x 15"	15 1/2"
42"	42.00	1/4" x 7"	400-42.00-1	1,918.81	2,232.67	2,716.07	2,514.08	2,827.95	3,311.34	20: 5/8" x 11 1/2"	12"
	42.00	1/4" x 10"	400-42.00-1A	2,143.26	2,510.30	3,006.28	2,823.55	3,190.59	3,686.59	20: 5/8" x 15"	15 1/2"
	42.00	3/8" x 7"	400-42.00-2	2,089.50	2,403.36	2,886.76	2,685.27	2,998.64	3,482.52	20: 5/8" x 11 1/2"	12"
	42.00	3/8" x 10"	400-42.00-3	2,371.70	2,738.74	3,234.74	3,052.00	3,419.03	3,915.04	20: 5/8" x 15"	15 1/2"
	44.50	3/8" x 7"	400-44.50-2	2,157.31	2,471.18	2,954.56	2,761.59	3,075.46	3,558.84	20: 5/8" x 11 1/2"	12"
	44.50	3/8" x 10"	400-44.50-3	2,450.64	2,817.67	3,313.68	3,141.13	3,508.19	4,004.17	20: 5/8" x 15"	15 1/2"
48"	48.00	3/8" x 7"	400-48.00-2	2,310.41	2,655.66	3,187.39	2,923.70	3,268.97	3,800.68	22: 5/8" x 11 1/2"	12"
	48.00	3/8" x 10"	400-48.00-3	2,630.57	3,034.28	3,579.90	3,331.40	3,735.11	4,280.74	22: 5/8" x 15"	15 1/2"
	50.80	3/8" x 7"	400-50.80-2	2,944.41	3,289.66	3,821.39	3,566.86	3,912.12	4,443.84	22: 5/8" x 11 1/2"	12"
	50.80	3/8" x 10"	400-50.80-3	3,313.71	3,717.41	4,263.05	4,025.12	4,428.82	4,974.45	22: 5/8" x 15"	15 1/2"

Other sizes available. Price on application.

Large Size Style 400 Couplings are No Cancel, No Return Items.

WARNING: Flexible couplings do not provide protection against possible pullout of pipe ends in unrestrained conditions.



# General Information for "400" Series Couplings

Engineering data, such as end ring design and gasket size, may differ according to specific need and pressures. The table below is for general submittal information only for the diameters listed and the working pressures indicated. Requirements not shown in the following table will be engineered specifically for your needs upon request.

NOM. PIPE SIZE	OUTSIDE DIAMETER O.D.	CENTER RING (A) x (B)	MAX PSI WORK PRESS.	OVERALL DIAMETER (D)	LENGTH OVERALL (L)	APPROX WEIGHT (lbs)
12"	13.20	1/4" x 7"	390	17.5	12"	65 #
	13.20	1/4" x 10"	390		15 1/2"	77 #
	13.20	3/8" x 7"	390		12"	76 #
	13.20	3/8" x 10"	390		15 1/2"	92 #
14"	14.00	1/4" x 7"	368	18.3	12"	68 #
	14.00	1/4" x 10"	368		15 1/2"	80 #
	14.00	3/8" x 7"	368		12"	79 #
	14.00	3/8" x 10"	368		15 1/2"	96 #
	15.30	1/4" x 7"	423	19.6	12"	75 #
	15.30	1/4" x 10"	423		15 1/2"	88 #
	15.30	3/8" x 7"	423		12"	87 #
	15.30	3/8" x 10"	423		15 1/2"	106 #
16"	16.00	1/4" x 7"	405	20.3	12"	77 #
	16.00	1/4" x 10"	405		15 1/2"	91 #
	16.00	3/8" x 7"	405		12"	90 #
	16.00	3/8" x 10"	405		15 1/2"	110 #
	17.40	1/4" x 7"	374	21.7	12"	82 #
	17.40	1/4" x 10"	374		15 1/2"	97 #
	17.40	3/8" x 7"	374		12"	96 #
	17.40	3/8" x 10"	374		15 1/2"	117 #
18"	18.00	1/4" x 7"	362	22.3	12"	84 #
	18.00	1/4" x 10"	362		15 1/2"	100 #
	18.00	3/8" x 7"	362		12"	99 #
	18.00	3/8" x 10"	362		15 1/2"	121 #
	19.50	1/4" x 7"	402	23.8	12"	92 #
	19.50	1/4" x 10"	402		15 1/2"	109 #
	19.50	3/8" x 7"	402		12"	108 #
	19.50	3/8" x 10"	402		15 1/2"	131 #
20"	20.00	1/4" x 7"	392	24.3	12"	94 #
	20.00	1/4" x 10"	392		15 1/2"	111 #
	20.00	3/8" x 7"	392		12"	110 #
	20.00	3/8" x 10"	392		15 1/2"	134 #
	21.60	1/4" x 7"	364	25.9	12"	99 #
	21.60	1/4" x 10"	364		15 1/2"	118 #
	21.60	3/8" x 7"	364		12"	117 #
	21.60	3/8" x 10"	364		15 1/2"	143 #
22"	22.00	1/4" x 7"	357	26.3	12"	101 #
	22.00	1/4" x 10"	357		15 1/2"	120 #
	22.00	3/8" x 7"	357		12"	118 #
	22.00	3/8" x 10"	357		15 1/2"	145 #
24"	24.00	1/4" x 7"	333	28.3	12"	110 #
	24.00	1/4" x 10"	333		15 1/2"	131 #
	24.00	3/8" x 7"	386		12"	129 #
	24.00	3/8" x 10"	386		15 1/2"	158 #
	25.80	1/4" x 7"	310	30.1	12"	117 #
	25.80	1/4" x 10"	310		15 1/2"	138 #
	25.80	3/8" x 7"	360		12"	137 #
	25.80	3/8" x 10"	360		15 1/2"	168 #

Note: See page 2-24 for options and application data.

NOM. PIPE SIZE	OUTSIDE DIAMETER O.D.	CENTER RING (A) x (B)	MAX PSI WORK PRESS.	OVERALL DIAMETER (D)	LENGTH OVERALL (L)	APPROX WEIGHT (lbs)	
26"	26.00	1/4" x 7"	307	30.40	12"	117 #	
	26.00	1/4" x 10"	307		15 1/2"	139 #	
	26.00	3/8" x 7"	357		12"	138 #	
	26.00	3/8" x 10"	357		15 1/2"	169 #	
28"	28.00	1/4" x 7"	285	32.40	12"	127 #	
	28.00	1/4" x 10"	285		15 1/2"	151 #	
	28.00	3/8" x 7"	380		12"	149 #	
	28.00	3/8" x 10"	380		15 1/2"	182 #	
30"	30.00	1/4" x 7"	266	34.40	12"	134 #	
	30.00	1/4" x 10"	266		15 1/2"	159 #	
	30.00	3/8" x 7"	354		12"	158 #	
	30.00	3/8" x 10"	354		15 1/2"	193 #	
	32.00	1/4" x 7"	250	36.40	12"	141 #	
	32.00	1/4" x 10"	250		15 1/2"	168 #	
	32.00	3/8" x 7"	333		12"	166 #	
	32.00	3/8" x 10"	333		15 1/2"	204 #	
34"	34.00	1/4" x 7"	235	38.40	12"	148 #	
	34.00	1/4" x 10"	235		15 1/2"	176 #	
	34.00	3/8" x 7"	311		12"	175 #	
	34.00	3/8" x 10"	311		15 1/2"	215 #	
36"	36.00	1/4" x 7"	222	40.40	12"	158 #	
	36.00	1/4" x 10"	222		15 1/2"	187 #	
	36.00	3/8" x 7"	333		12"	186 #	
	36.00	3/8" x 10"	333		15 1/2"	228 #	
	38.30	1/4" x 7"	208	42.70	12"	166 #	
	38.30	1/4" x 10"	208		15 1/2"	197 #	
	38.30	3/8" x 7"	313		12"	196 #	
	38.30	3/8" x 10"	313		15 1/2"	240 #	
42"	42.00	1/4" x 7"	190	46.90	12"	223 #	
	42.00	1/4" x 10"	190		15 1/2"	257 #	
	42.00	3/8" x 7"	288		12"	256 #	
	42.00	3/8" x 10"	288		15 1/2"	305 #	
	44.50	3/8" x 7"	269	49.40	12"	269 #	
	44.50	3/8" x 10"	269		15 1/2"	320 #	
	48"	48.00	3/8" x 7"	250	52.90	12"	290 #
		48.00	3/8" x 10"	250		15 1/2"	345 #
50.80		3/8" x 7"	236	55.70	12"	304 #	
50.80		3/8" x 10"	236		15 1/2"	362 #	
54"	54.00	3/8" x 10"	222	58.90	15 1/2"	385 #	
	54.00	1/2" x 10"	270		446 #		
60"	60.00	3/8" x 10"	200	64.90	15 1/2"	428 #	
	60.00	1/2" x 10"	266		495 #		
66"	66.00	3/8" x 10"	181	70.90	15 1/2"	468 #	
	66.00	1/2" x 10"	242		542 #		
72"	72.00	3/8" x 10"	167	77.0	15 1/2"	508 #	
	72.00	1/2" x 10"	222		588 #		
96"	96.00	1/2" x 10"	166	101.0	15 1/2"	954 #	

Other sizes available. Price on application.