

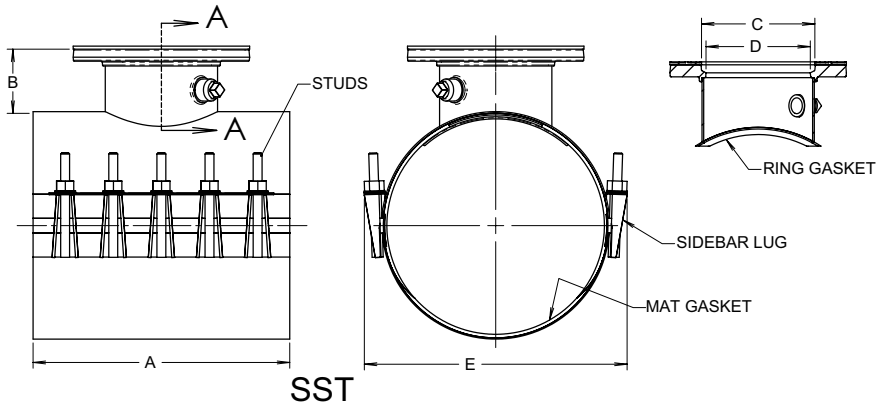
# SST & SSTIII DIMENSIONS



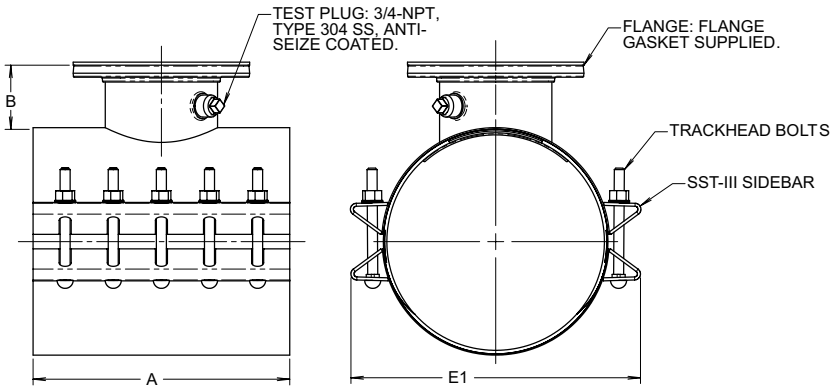
## A ROMAC ORIGINAL

### 1980 - Stainless Steel Tapping Sleeve

Corrosion resistant, provides full circumferential seal.



SST



SSTIII

DIMENSIONS								
FLANGE SIZE	CATALOG NUMBER	# OF BOLTS	A	B	C	D	E	E1
3"	4.60 - 5.30	8	12.0	4.00	4.03	3 1/2	PIPE OD + 3.0	PIPE OD + 4.6
	5.60 - 19.30	10	16.0					
	19.70 - 26.50	14	20.0					
	27.80 - 32.00 <sup>1</sup>	21	20.0					
4"	4.60 - 5.30	8	12.0	4.00	5.03	4 1/2	PIPE OD + 3.0	PIPE OD + 3.0
	5.60 - 19.30	10	16.0					
	19.70 - 26.50	14	20.0					
6"	6.25 - 17.95	10	16.0	4.5	7.03	6 1/2	PIPE OD + 3.0	PIPE OD + 4.6
	18.25 - 26.50	14	20.0					
	27.80 - 32.00 <sup>1</sup>	21	20.0					
8"	8.30 - 26.50	14	20.0	5	9.03	8 1/2	PIPE OD + 3.0	PIPE OD + 4.6
	27.80 - 32.00 <sup>1</sup>	21	20.0					
10"	10.73 - 26.50	16	24.0	5.5	11.03	10 1/2	PIPE OD + 3.0	PIPE OD + 4.6
	27.80 - 32.00 <sup>1</sup>	24	24.0					
12"	12.75 - 16.78	20	30.0	5.75	13.03	12 1/2	PIPE OD + 3.0	PIPE OD + 4.6
	17.55 - 26.50	20	30.0					
	27.80 - 32.00 <sup>1</sup>	30	30.0					

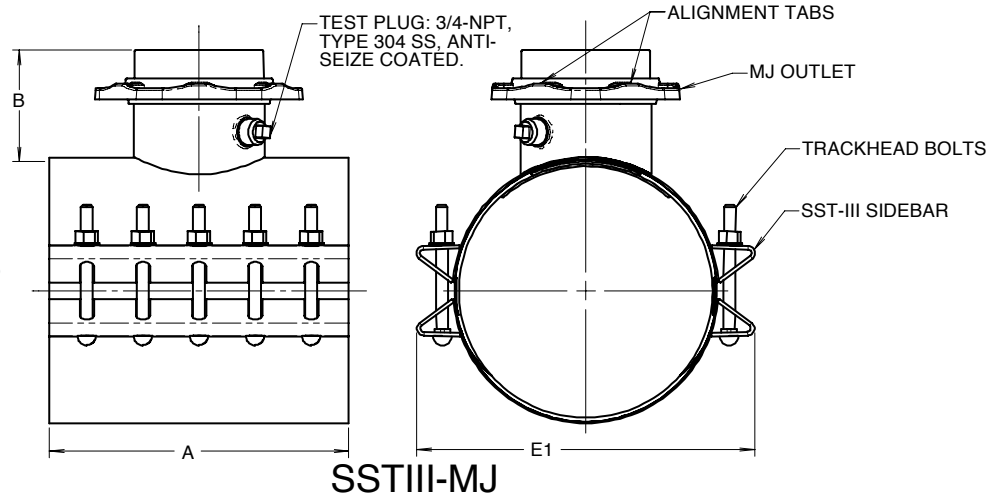
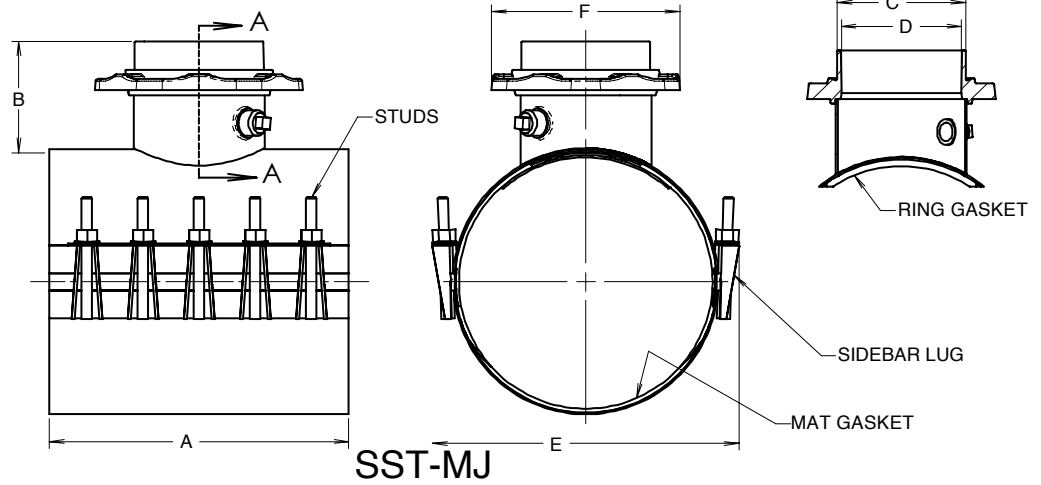
<sup>1</sup> SSTIII Only

- 6.25 & 6.60 sizes not available with 6" branch.
- 8.30 size not available with 8" branch.

- 10.73 size not available with 10" branch
- 12.75 - 12.90 sizes: 1/2" undersize cutter recommended.



# SST-MJ & SSTIII-MJ DIMENSIONS



DIMENSIONS									
FLANGE SIZE	CATALOG NUMBER	# OF BOLTS	A	B	C	D	E	E1	F
4"	4.60 - 5.30	8	12.0	5.88	4.80	4.33	PIPE OD + 3.0	PIPE OD + 4.6	9.12
	5.60 - 19.30	10	16.0						
	19.70 - 26.50	14	20.0						
	27.80 - 32.00 <sup>1</sup>	21	20.0						
6"	7.00 - 17.95	10	16.0	6.88	6.90	6.43	PIPE OD + 3.0	PIPE OD + 4.6	11.12
	18.25 - 26.50	14	20.0						
	27.80 - 32.00 <sup>1</sup>	21	20.0						
8"	8.63 - 26.50	14	20.0	7.00	9.05	8.52	PIPE OD + 3.0	PIPE OD + 4.6	13.40
	27.80 - 32.00 <sup>1</sup>	21	20.0						
10"	10.73 - 26.50	16	24.0	7.50	11.10	10.51	PIPE OD + 3.0	PIPE OD + 4.6	15.70
	27.80 - 32.00 <sup>1</sup>	24	24.0						
12"	13.30 - 16.78	20	30.0	7.63	13.20	12.54	PIPE OD + 3.0	PIPE OD + 4.6	18.10
	17.55 - 26.50	20	30.0						
	27.80 - 32.00 <sup>1</sup>	30	30.0						

<sup>1</sup> SSTIII Only

- 6.25 & 6.60 sizes not available with 6" branch.
- 8.30 size not available with 8" branch.
- 10.73 size not available with 10" branch
- 12.75 - 12.90 sizes: 1/2" undersize cutter recommended.