



Transmate

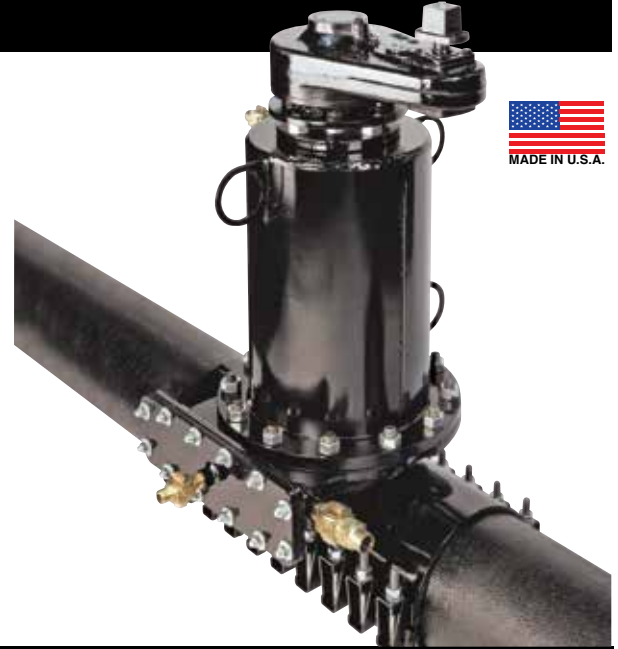
a Division of Romac Industries, Inc.

INSERTAVALVE™

InsertaValve™

Valve insertion, simplified

- 10" - 12" installations in cast iron, ductile iron, A/C, PVC C-900 and steel pipe
- No Loss of Pressure
- Minimal Water Loss
- Completion time is less than 2 hours
- Much Faster Than Traditional Line Stopping And Cut-ins
- Horizontal or Vertical Installations



INSERTA VALVE™ SLEEVE

MATERIAL SPECIFICATIONS

INTENDED USE: Provides attachment to pipe for drilling and final assembly of the InsertaValve™ Water Control Valve. May be used on cast iron, ductile iron, asbestos cement and C900 PVC pipe.

GENERAL: The fabricated sleeve will assure a 360 degree seal around the pipe under working pressures up to 150 psi. It will accommodate the equipment and fixtures necessary to drill the pipe and install the InsertaValve™ valve assembly without any interruption in water service.

MATERIALS: Made of ASTM A-36 steel, epoxy coated to 10 -12 mils.

FLANGE: A special flange will mate with the InsertaValve™ installation equipment and valve assembly.

NECK: The precision manufacturing tolerances of the neck will assure proper alignment, and support, of the InsertaValve™ valve assembly. The neck will incorporate a slide gate body that will provide a connecting flange and sealing surface for the slide gate housing. The slide gate body will also provide a sealing surface for the slide gate disk o-ring.

BOLTS AND NUTS: High strength low alloy steel bolts and nuts meeting AWWA standard C-111. Type 304 stainless steel bolts with Xylan coated nuts to prevent galling, are optional.

LUGS: Sleeve sidebar lugs will properly align the sleeve halves during installation, provide a bolting surface, and assure a 360 degree seal. The lugs will prevent excessive stress on the pipe, and minimize distortion of soft (PVC) pipe.

MAT GASKETS: Made of Styrene Butadiene Rubber (SBR) compounded for potable water service in accordance with ASTM D2000 3 BA715. The gaskets provide a positive 360 degree seal on the pipe and assure a tight, durable, and resilient seal.

COATING: The sleeve will be lined and coated with fusion bonded epoxy.

ARMORS: Heavy gauge type 304 stainless steel armor plates will bridge the gap between the sleeve halves.

INSERTA VALVE™ ASSEMBLY

MATERIAL SPECIFICATIONS

GENERAL: Designed to be inserted into the InsertaValve™ Sleeve after the drilling procedure is performed, the Valve Assembly shall perform as a water control device giving an effective shutoff of the flow of water. The valve will be installed in the open position, under pressure and under flow conditions without any interruption of water service. The InsertaValve™ shall give a full flow waterway after installation.

PLUG: Constructed of urethane rubber, with a durometer of 65 Shore A. The plug shall seal on the on the inside diameter of the pipe and inside diameter to the drilled hole.

VALVE STEM AND STEM NUT: Manufactured of high strength bronze suitable for valve stems and nuts.

GEARBOX: The gearbox (inline style for vertical installations, or a 90° style for horizontal installations) will provide the force necessary to compress the plug to shut off the flow of water in the pipeline.

GASKETS: Made of SBR rubber, compounded for potable water service in accordance with ASTM D-2000 3 BA715, with a durometer of 70 Shore A. The gasket shall act as the sealing interface between the valve flange and the sleeve flange.

BOLTS AND NUTS: Grade 3 or better alloy steel, zinc plated for corrosion protection. Type 304 stainless steel bolts, nuts and washers are optional. Stainless steel nuts are Xylan coated to prevent galling.

The InsertaValve™ requires a minimum depth of bury from the topside of the pipe of 40" in vertical installations. For the horizontal installations, a 24" bury depth is recommended. The physical height of the sleeve and valve assembly is 35" off the top of the pipe.

The InsertaValve™ requires approximately 215 turns to completely open and close the valve.

InsertaValve™

Valve Insertion, Simplified

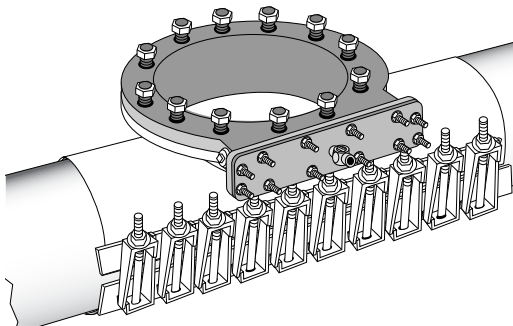
For more information on the InsertaValve™ Machine, please contact your regional Romac Customer Service at 1-800-426-9341

Note: This equipment is an add-on package to the QuikValve™ Base Machine (360-00) and requires the use of a hydraulic power supply.

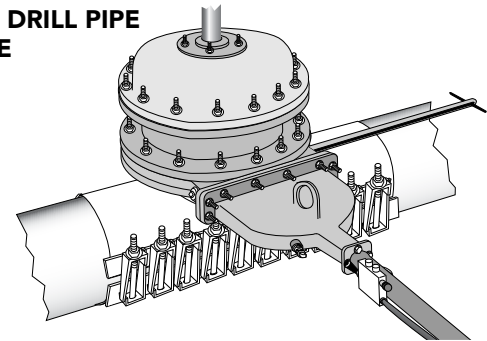


EASY INSTALLATION

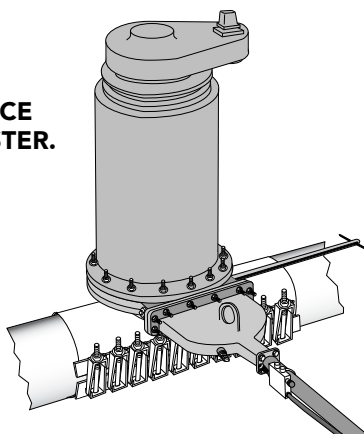
- 1** INSTALL THE INSERTAVALVE™ SLEEVE ON TO THE PIPE



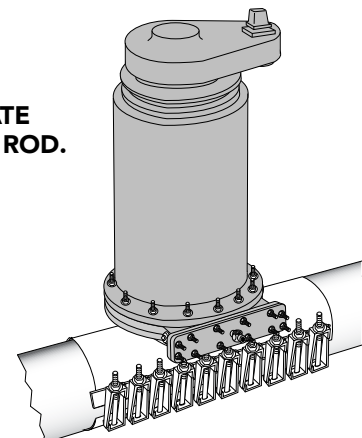
- 2** MOUNT THE SLIDE GATE ASSEMBLY & DRILLING MACHINE. DRILL PIPE AND CLOSE THE SLIDE GATE.



- 3** REMOVE DRILLING MACHINE & REPLACE WITH VALVE CANISTER.



- 4** OPEN SLIDE GATE. REMOVE SLIDE GATE ASSEMBLY & SEAL ROD.




Transmate

a Division of Romac Industries, Inc.

INSERTAVALVE™

InsertaValve™

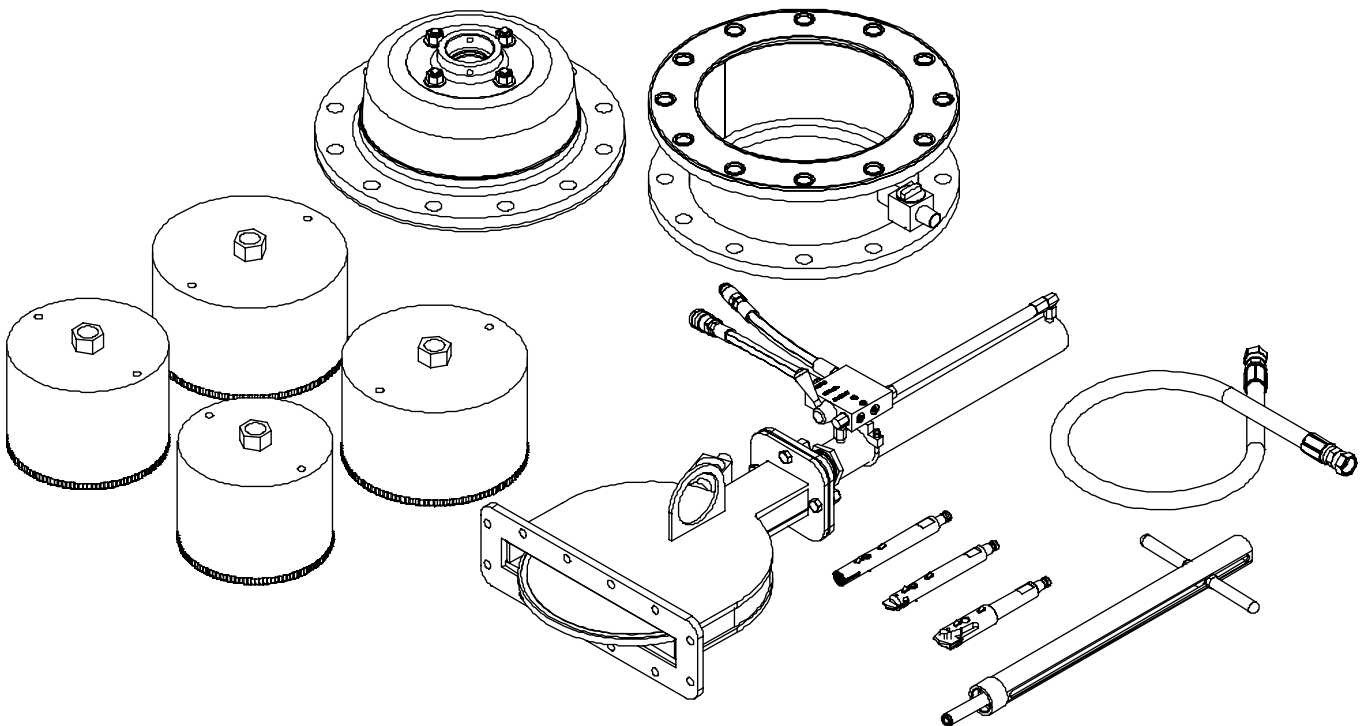
Valve Insertion, Simplified

ITEM NUMBER	DESCRIPTION	LIST PRICE
358-00	InsertaValve™ Equipment for 10 & 12-inch Valve Insertion	\$15,055.55

THE FOLLOWING ACCESSORIES ARE INCLUDED:

- Slide Gate (Hydraulically Powered)
- Seal Rod
- Drilling Machine Adapter Bell For I.V.S. (fits QuikValve™ drilling machine)
- (4) Holesaws that fit QuikValve™ Drilling Machine
- Machine Spacer
- By-Pass Hose
- Shaft Nose - for DI, CI and Steel
- PVC Pilot - for PVC and Plastic Pipe
- Assorted Fasteners and Gaskets
- Operations Manual

Note: This equipment is an add-on package to the QuikValve™ Base Machine (360-00) and requires the use of a hydraulic power supply.



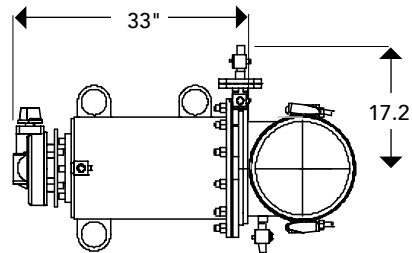
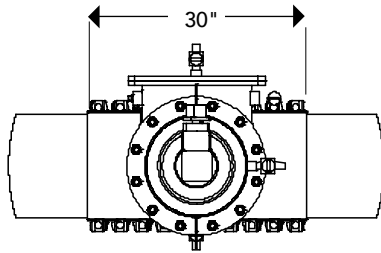
INSERTAVALVE™



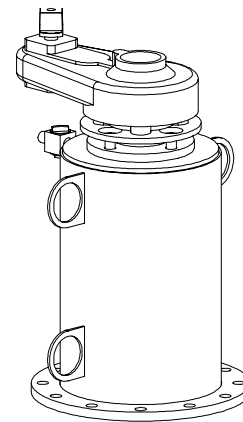
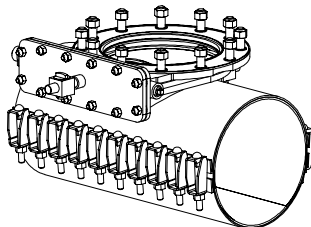
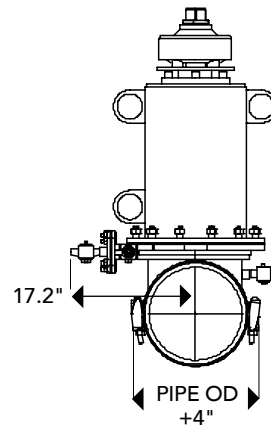
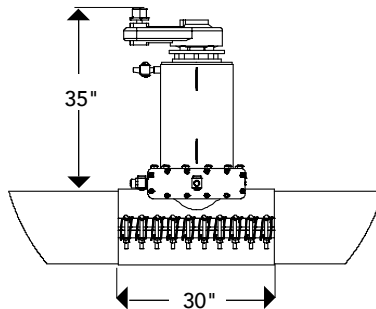
Transmate

a Division of Romac Industries, Inc.

HORIZONTAL INSTALLATIONS



VERTICAL INSTALLATIONS



ITEM NUMBER	DESCRIPTION	LIST PRICE
10"	SLEEVES with alloy bolts & nuts	
	311-1095010 IVS-10.95 (10.75 - 10.95)	\$3,260.59
	311-1125010 IVS-11.25 (10.85 - 11.25)	3,260.59
	311-1145010 IVS-11.45 (11.05 - 11.45)	3,260.59
	311-1180010 IVS-11.80 (11.40 - 11.80)	3,260.59
311-1220010 IVS-12.20 (11.80 - 12.20)	3,260.59	
12"	311-1295010 IVS-12.95 (12.75 - 12.95)	3,260.59
	311-1320010 IVS-13.20 (12.90 - 13.20)	3,260.59
	311-1350010 IVS-13.50 (13.10 - 13.50)	3,260.59
	311-1380010 IVS-13.80 (13.40 - 13.80)	3,260.59
	311-1440010 IVS-14.40 (14.00 - 14.40)	3,260.59
	311-1460010 IVS-14.60 (14.20 - 14.60)	3,260.59
	311-1470010 IVS-14.70 (14.30 - 14.70)	3,260.59
10"	SLEEVES with 304 S.S. bolts & nuts	
	311-1095011 IVS-10.95 (10.75 - 10.95)	3,688.84
	311-1125011 IVS-11.25 (10.85 - 11.25)	3,688.84
	311-1145011 IVS-11.45 (11.05 - 11.45)	3,688.84
	311-1180011 IVS-11.80 (11.40 - 11.80)	3,688.84
311-1220011 IVS-12.20 (11.80 - 12.20)	3,688.84	
12"	311-1295011 IVS-12.95 (12.75 - 12.95)	3,688.84
	311-1320011 IVS-13.20 (12.90 - 13.20)	3,688.84
	311-1350011 IVS-13.50 (13.10 - 13.50)	3,688.84
	311-1380011 IVS-13.80 (13.40 - 13.80)	3,688.84
	311-1440011 IVS-14.40 (14.00 - 14.40)	3,688.84
	311-1460011 IVS-14.60 (14.20 - 14.60)	3,688.84
	311-1470011 IVS-14.70 (14.30 - 14.70)	3,688.84

ITEM NUMBER	DESCRIPTION	LIST PRICE
CANISTER (plug included)		
358-01-0938	IVS Canister D 9 3/8"	\$8,653.65
358-01-0938-SS	IVS Canister D 9 3/8" W/304SS B&N	8,967.51
358-01-0975	IVS Canister D 9 3/4"	8,653.65
358-01-0975R	IVS Canister D 9 3/4" Open Right	8,653.65
358-01-0975-SS	IVS Canister D 9 3/4" W/304SS B&N	8,967.51
358-01-0975R-SS	IVS Canister D 9 3/4" Open Right, W/304SS B&N	8,967.51
358-01-0975-90GB	IVS 90 Deg. Canister 9 3/4"	8,653.65
358-01-1138	IVS Canister D 11 3/8"	8,653.65
358-01-1138R	IVS Canister D 11 3/8" Open Right	8,653.65
358-01-1138-SS	IVS Canister D 11 3/8" W/304SS B&N	8,967.51
358-01-1138R-SS	IVS Canister D 11 3/8" Open Right, W/304SS B&N	8,967.51
358-01-1175	IVS Canister D 11 3/4"	8,653.65
358-01-1175R	IVS Canister D 11 3/4" Open Right	8,653.65
358-01-1175-SS	IVS Canister D 11 3/4" W/304SS B&N	8,967.51
358-01-1175R-SS	IVS Canister D 11 3/4" Open Right, W/304SS B&N	8,967.51
358-01-1175-90GB	IVS 90 Deg Canister D 11 3/4"	8,653.65

Note: Sleeve and Canister dimensions are the same for 10 inch and 12 inch installations

**Transmate**

a Division of Romac Industries, Inc.

INSERTAVALVE™

SLEEVE & PLUG CHART

SLEEVE CHART SLEEVE SPECIFIED BY LARGE OD

SLEEVE SIZE	PIPE AND CLASS	PART NUMBER
10.75 - 10.95	PVC 10" (10.75) ASTM D 2241CL 100,125,160,200 Steel 10 (10.75) Sch. 40, 80	311-1095010
10.85 - 11.25	DI 10" (11.10) 50 - 56 CI 10" (11.10) 50 CC & PC; 100 CC & PC; 150 CC & PIT; 200 CC & PIT; 250 CC; A, B. PVC C-900 10" (11.10) 100,150, 200	311-1125010
11.05 - 11.45	DI (11.10) 50 - 56 CI (11.10,11.40) PVC C-900 (11.10); 100, 150, 200 SIMPLEX (11.43); AC 150, AC 100 J-M (11.37)	311-1145010
11.40 - 11.80	CI 250 PIT (11.40), C (11.40),D (11.40) E, F (11.60) AC 100 CERTAIN-TEED (11.46), SIMPLEX (11.43)	311-1180010
11.80 - 12.20	CI G, H (11.84) AC 150 J-M (11.92) SIMPLEX (11.95); AC 200 J-M (11.92) CERTAIN-TEED (11.88)	311-1220010
12.20 - 12.60	AC 200 SIMPLEX (12.45)	Non-stocked item, please call for special quote
12.75 - 12.95	PVC 12" (12.75) ASTM D 2241CL 100, 125, 160, 200 Steel 12" (12.75) Sch. 40, 80	311-1295010
12.90 - 13.20	DI 12" (13.20) 50 - 56 CI 12" (13.20) 50 CC & PC; 100 CC & PC; 150 CC & PIT; 200 CC & PIT; 250 CC; A, B PVC C-900 12" (13.20) 100,150, 200	311-1320010
13.10 - 13.50	DI 12" (13.20) 50 - 56 CI 12" (13.20) 50 CC & PC; 100 CC & PC; 150 CC & PIT; 200 CC & PIT; 250 CC; A, B; A,B; CI (13.50) 250 PIT, C, D PVC C-900 12" (13.20) 100,150, 200 AC 100 J-M (13.49)	311-1350010
13.40 - 13.80	CI (13.50) 250 PIT, C, D, (13.76) E, F AC 100 J-M (13.49) CERTAIN-TEED (13.70) SIMPLEX (13.61)	311-1380010
13.70 - 14.10	CI G, H (14.08)	311-1410010
14.00 - 14.40	AC 150 J-M (14.18) CERTAIN-TEED (14.11) SIMPLEX (14.21) AC 200 J-M (14.18) CERTAIN-TEED (14.11)	311-1440010
14.40 - 14.80	AC 200 SIMPLEX (14.72)	Non-stocked item, please call for special quote

PLUG CHART

PLUG SIZE		PIPE AND CLASS	PART NUMBER
10"	NOM.	PVC C-900 CL 200 AC JM CL 200, CERTAIN-TEED CL 200; Steel Sch. 80	358-01-0938
	DIA.	9 3/8"	
12"	NOM.	DI 50 - 56 CI - All types C-900 CL 100,150; ASTM D 2241 PVC CL 100,125, 160, 200 AC100,150, SIMPLEX 200 Steel Sch. 40	358-01-0975
	DIA.	9 3/4"	
12"	NOM.	PVC C-900 CL 200 ASTM D 2241 PVC CL 200 AC JM CL 100, 200, CERTAIN-TEED CL 200 Steel Sch. 80	358-01-1138
	DIA.	11 3/8"	
12"	NOM.	DI 50 - 56 CI - All types C-900 CL 100,150; ASTM D 2241 PVC CL 100,125, 160, 200 AC100,150, SIMPLEX 200 Steel Sch. 40	358-01-1175
	DIA.	11 3/4"	