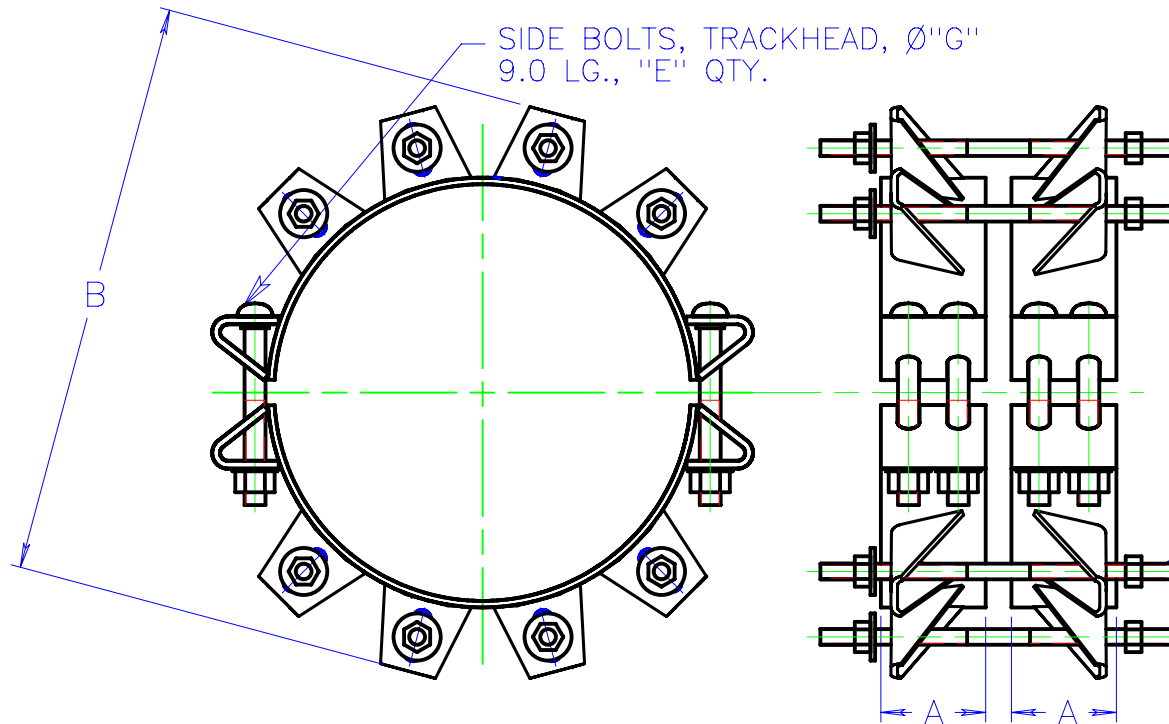


REVISIONS			
REV	DESCRIPTION	DATE	APPROVED
0	ORIGINAL RELEASE	1/15/1997	DH EATON
1	ADDED 32.00 SIZE, COL'S "F" & "G"	9/17/2007	NST III
2	ADDED PRESSURE RATINGS ADDED COLUMN H	7/21/2008	SH



NOM. PIPE SIZE	DIMENSIONS							WORKING PRESSURE	
	A	B	C	D	E	ØF	G	HSLA ROD	SS ROD
14" (15.30)	5.0	23.1	6	26.0	8	3/4	1	305	218
16" (17.40)	5.0	25.2	6	26.0	8	3/4	1	305	169
18" (19.50)	5.0	27.3	8	26.0	8	3/4	1	305	179
20" (21.60)	7.0	29.4	8	32.0	12	3/4	1	235	146
24" (25.80)	7.0	33.6	12	32.0	12	3/4	1	235	154
30" (32.00)	10.0	43.0	14	42.0	16	1	1-1/8	235	181

- NOTE:
1. ALL MATERIAL MILD STEEL UNLESS NOTED.
 2. COATING PER CUSTOMER ORDER. SHOP COAT ENAMEL STANDARD. FUSION BOND EPOXY EXTERIOR COATING AVAILABLE.
 3. SIDE BOLT AND HARNESS ROD MATERIAL PER AWWA C111.

THIS DRAWING CONTAINS CONFIDENTIAL PROPRIETARY INFORMATION AND IS THE PROPERTY OF ROMAC IND. INC. IT IS TO BE USED ONLY FOR THE PURPOSE FOR WHICH IT IS SUBMITTED AND SHALL NOT HAVE IT'S INFORMATION DISCLOSED OR REPRODUCED IN WHOLE OR IN PART FOR ANY PURPOSE WITHOUT PRIOR WRITTEN PERMISSION OF ROMAC IND. INC.

UNLESS OTHERWISE SPECIFIED DIMENSIONS ARE IN INCHES TOLERANCES ARE ON:yes 2 PL DECIMALS +/- 3 PL DECIMALS +/- ANGLES +/- FRACTIONS +/-	SIGNATURES	DATE		ROMAC IND. INC., SEATTLE, WA	
	DRWN	CHECKED		TITLE	SJ470 PIPE RESTRAINER
	SIZE	DWG. NO.	REV. NO.		
	A	B1405-A	2		
	SCALE	SHEET 1 OF 1			
	NTS				