

INSTALLATION INSTRUCTIONS

Read installation instructions first before installing. Check parts to ensure that no damage has occurred during transit and that no parts are missing. Also check the diameter of the pipe and the range marked on the tapping sleeve to ensure you have the proper size.

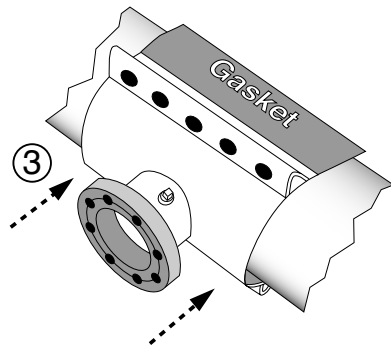
SSTIII Stainless Steel Tapping Sleeve

Step 1 • Check the diameter of the pipe and the range marked on the tapping sleeve to insure you are using the correct size sleeve.

Step 2 • Thoroughly clean pipe surface, remove all dirt, rock, scale and foreign material in area where tapping sleeve is to be installed. A suitable lubricant should be used on rough surface pipe (Iron and A/C) to assure proper seal.

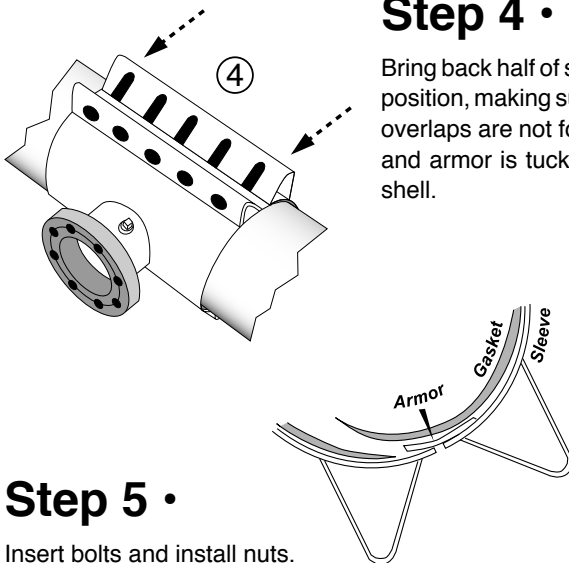
Step 3 •

Place outlet half of sleeve on pipe and move into position, being careful not to fold under the gasket.



Step 4 •

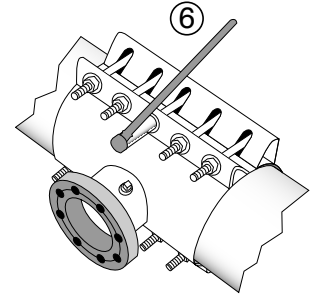
Bring back half of sleeve into position, making sure gasket overlaps are not folded over and armor is tucked behind shell.



Step 5 •

Insert bolts and install nuts.

Step 6 • Well-tightened nuts are important to ensure a full-circle seal. Tighten nuts, starting with center bolts, alternating on either side of the sleeve. Gap between sleeve halves on either side should be the same when nuts are fully torqued.



Tighten all nuts evenly in 25 ft-lb. increments.

Nom. Pipe Diameter	Torque
4"	60 ft-lbs.
6" through 24"	minimum 75 ft-lbs.

Note:

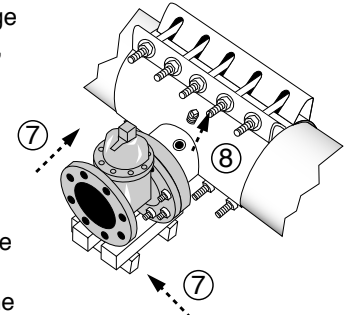
60 ft-lbs. = 12" wrench w/ 60lb. force applied
75 ft-lbs. = 12" wrench w/ 75 lb. force applied

For best results, wait 10 minutes minimum and then re-tighten to the recommended torque value.

Step 7 • Bolt tapping valve to flange (**valve must be well supported, as not to apply any load on the tapping sleeve**). The inside of the stainless steel neck accepts the tapping valve locator. The flange gasket, which is glued in place, is the only gasket needed.

Step 8 •

Remove test plug and connect test apparatus to tapping sleeve assembly. Test at pressure up to 1.25 times the pressure in the pipeline or to the maximum in the table (below), whichever is less. If assembly leaks, check bolts to be sure the nuts have been torqued to the recommended torque value and then retest assembly.



Pipe Size	Working Pressure	Test Pressure
4"-8"	250	312 psi
10"-24"	200	300 psi
26"-30"	150	188 psi

Step 9 • Block or otherwise support the tapping machine during the tap, then be sure and support the pipe being connected to the valve.

This information is based on the best data available at the date printed. Please check with Romac Engineering Department for any updates or changes.

Stainless Steel Tapping Sleeve SSTIII

PRECAUTIONS

1. Check diameter of pipe to make sure you are using the correctly sized sleeve.
2. Clean pipe to remove as much dirt and corrosion as possible from the pipe surface.
3. Make sure no foreign materials stick to the gasket as it is brought around the pipe, nor becomes lodged between gasket and pipe as nuts are tightened.
4. Make sure that the gasket overlaps are not folded over.
5. Avoid loose fitting wrenches, or wrenches too short to achieve proper torque.
6. Keep threads free of foreign material to allow proper tightening.
7. Bolts are often not tightened enough when a torque wrench is not used. Take extra care in this situation to make sure proper tightening occurs.
8. Install tapping sleeve with outlet in the direction of the branch pipe. Do not spin or rotate tapping sleeve on pipe.
9. Pressure test for leaks before tapping pipe.
10. Utilize high grade backfill and compact carefully around sleeve.
11. Bolts are quite often not tightened evenly to the proper torque. Check torque across each bolt several times before pressurizing.
12. Wear safety glasses to protect eyes during installation.
13. When reinstalling parts with stainless steel hardware there may be a loss in pressure holding ability due to worn or damaged threads during the original installation.
14. For personal safety reasons, do not use a compressible fluid (such as air) to check for water tightness.

COMMON INSTALLATION PROBLEMS

1. Not enough torque on bolts.
2. Rocks or debris cutting gasket.
3. Gasket overlaps are folded over.
4. Dirty threads on bolts or nuts.
5. Allowing tapping sleeve to support the cantilever load of the valve, tapping machine or pipe.

NOTE: Tapping sleeves are designed for sealing purposes only, not structural support or restraint.

6. Not using the proper size sleeve for the pipe.
7. Not using thrust block or other form of restraint.
8. Spinning or rotating tapping sleeve on the pipe.