

B-Too™ Drilling and Tapping Machine Instruction and Maintenance Manual



Thank you for your purchase of the 'B-Too' Drilling and Tapping Machine. Please read and understand this short operation manual. Our goal is to serve you, our customer. If you have any questions, complaints or improvement suggestions please call us at 1-800-426-9341



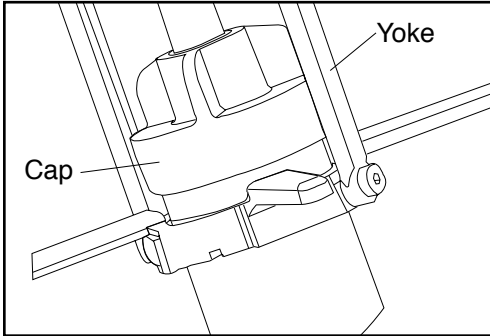
Transmate

a Division of Romac Industries, Inc.

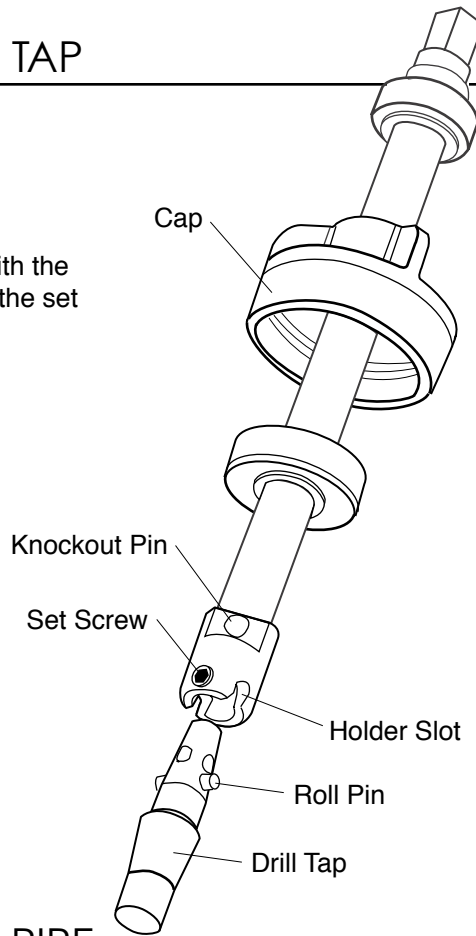
1 step one

LOAD DRILL TAP

Load the drill tap into the holder by aligning the roll pin with the slots in the holder and pushing it into the holder. Tighten the set screw with 1/4" hex wrench provided.



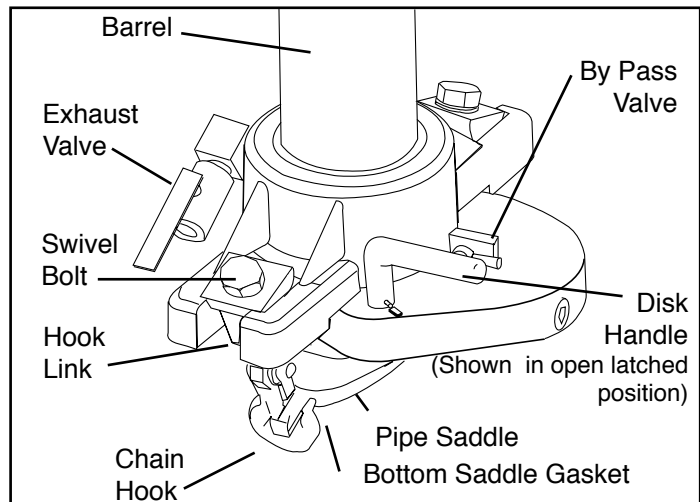
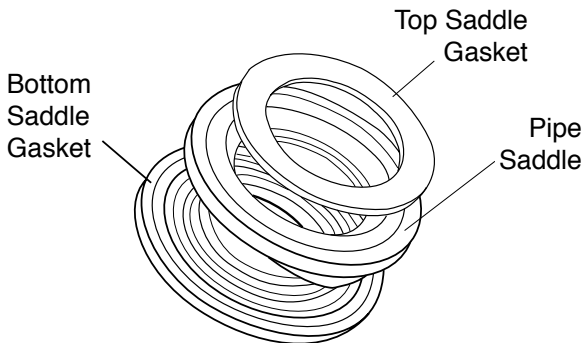
Thread the Cap on to the Barrel until it stops.
Note: Be sure the cap is tight, not just snug. You're compressing a gasket.



2 step two

MOUNT ON PIPE

Put the bottom saddle gasket, the nominal size pipe saddle, and the top saddle gasket onto the pipe.



Place the B-Too onto the saddle and loop the chain around the pipe. Tighten the chain using the swivel bolts provided. Make sure the swivel bolt and hook link are unthreaded enough to provide enough travel to tighten chain around pipe. Make sure the bottom of the slide gate is in bore of saddle. It is common now to move the machine to a 45 degree angle on the pipe.

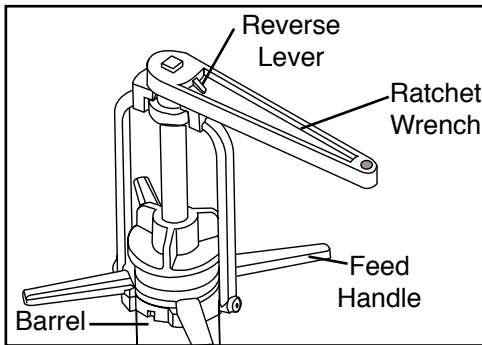
3 step three

DRILL / TAP

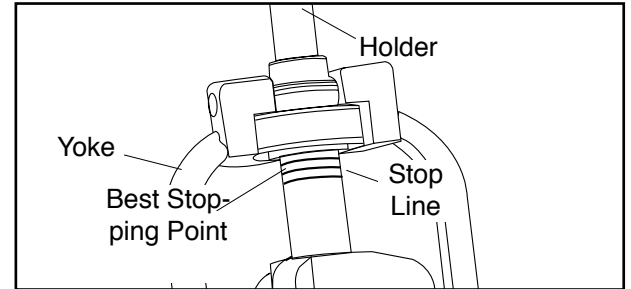
Engage yoke onto holder. Make sure the slide gate is open and if needed, in the locked position. Using the feed handle, feed the holder toward the pipe until the drill tap contacts the pipe.

Place the ratchet wrench onto the square end of the holder. Using the feed handle, alternately feed the drill tap into the pipe while turning the holder with the ratchet. Continue until the threads on the drill tap engage. When tapping starts, disengage the yoke.

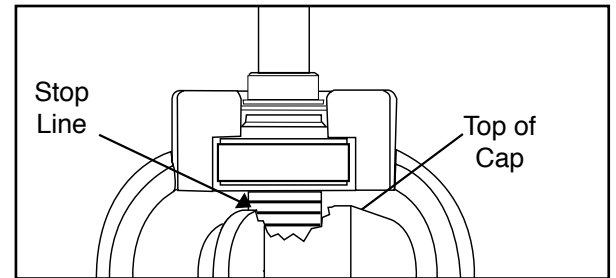
Turn the ratchet to thread the hole you've just



drilled until the stop line on the holder is aligned with the top edge of the cap. There are 2 to 3 stop lines on the holder. The second line down or the lower stop line is used generally for IP inlet threads, and the top stop line is generally used for CC inlet



threads. We recommend threading the hole until the top of the cap is aligned between the top two grooves.

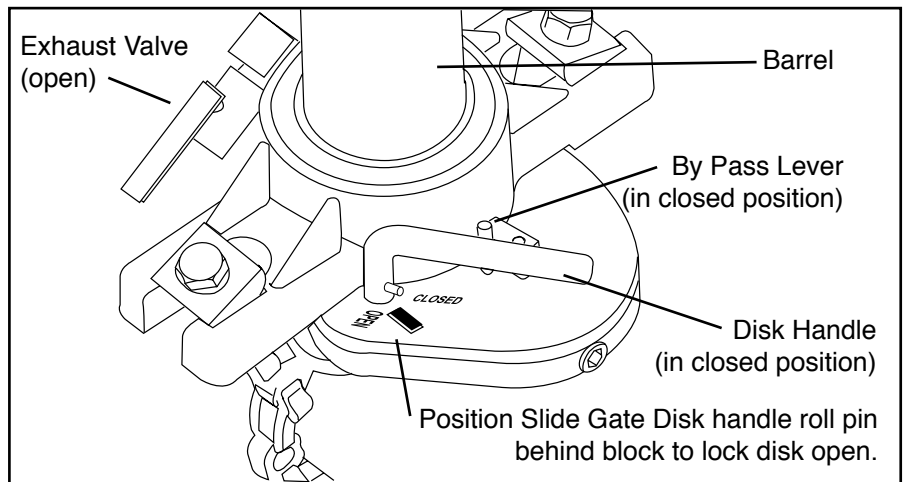


After the insertion is complete, check to see if 3 - 5 threads show between the top of the pipe and the corp body. If 3 - 5 threads are not showing, adjust your thread cutting depth.



Caution: The disk handle is designed to operate easily. Please do not apply any type of "cheater" bar to the disk handle.

Reverse the ratchet using the reverse lever on the ratchet, and back the drill tap out of the pipe. Using feed handle, feed machine back up to the top of the barrel. Close the slide gate using the disk handle. Close the by pass valve, then open the exhaust valve. Disengage the yoke from the holder, then thread cap off of the barrel. Pull the holder out of the barrel. You're now ready to load the screw plug and corporation stop.

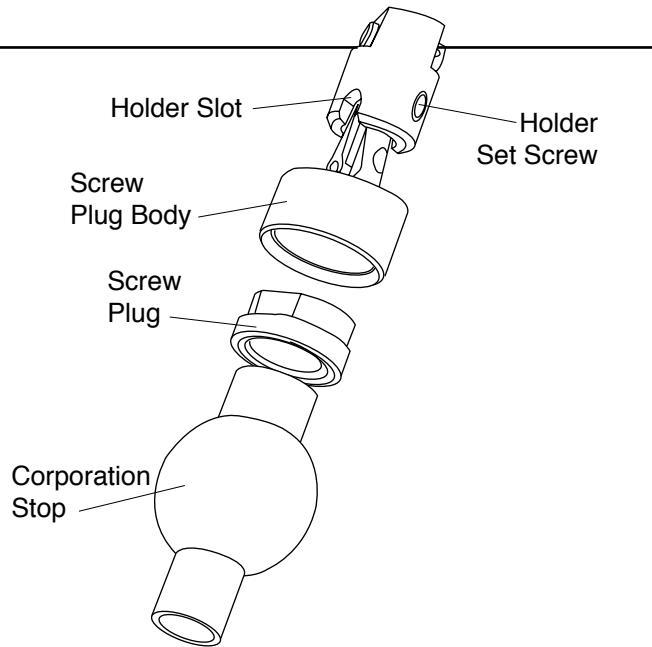


4 step four

PREPARE CORPORATION STOP FOR INSERTION

Thread the screw plug on to the outlet threads of the corporation stop. The size and type of screw plug is stamped on the back of the screw plug. Thread the screw plug body on to the screw plug. Push this assembly into the holder, align the roll pin with the slot, and tighten the set screw.

Thread the cap back on to the machine until it stops. Engage the yoke on to the holder.



A word about screw plug bodies.

The screw plug bodies are designed to fit a range of screw plugs.

Body Size	Screw Plugs that fit	Second Size that fits
1" Body	1" FC	3/4" FC
	1" FIP	3/4" FIP
	1" MIP	3/4" MIP
	1" Drive Thread	3/4" Drive Thread
	1" Mueller Thread	3/4" Mueller Thread
5/8" Body	5/8" FC	1/2" FC
	5/8" Drive Thread	1/2" FIP
		1/2" MIP
		1/2" Drive Thread
1 1/4" Body	1 1/4" FC	
	1 1/4" FIP	

5 step five

INSERT CORPORATION STOP

Close the exhaust valve. Open the by pass valve to pressurize the barrel of the B-Too. Turn the disk handle to the 'open' position.



Caution: The disk handle is designed to operate easily. Please do not apply any type of "cheater" bar to the disk

Using the feed handle thread the holder down, until the corporation stop contacts the pipe. Thread the corporation stop into the pipe tightly. Open the exhaust valve to check if the corporation stop is in place and sealing.

Reverse the ratchet and back holder up, to release the holder from the corporation stop. Remove the machine from the pipe. **It's a good idea to clean the shavings from the machine while they're still loose and easily removed.**

Using the B-Too with Transmate / Hays B1 Parts

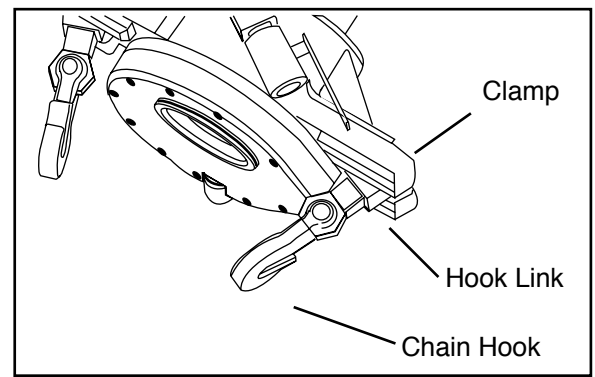
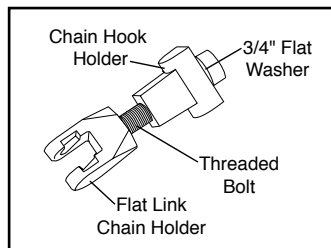
The B-Too is designed to use Transmate /Hays B1 machine, or Mueller B100 and 101 accessories. The B1 parts that can be used are: Drill taps without roll pins; B1 bottom saddle gaskets- 2",3" and 4"; B1 flat link chain. A conversion kit is also available to convert your 5/8" square large ratchet to a 13/16" square ratchet.

Drill Taps Without Roll Pins:

The B1 uses a drive stud instead of a roll pin to turn the drill tap. Our first recommendation is to press a 3/8" diameter by 1 1/2 " long roll pin into the side hole provided in the drill tap. If you want to continue to use your drill taps on your B-Too and B1 you can purchase a B1 drive stud (Part no. 353-11-515)

B1 Flat Link Chain:

The B1 flat link chain can be used with the B-Too. Remove the hook link and the chain hook from the clamp then remove the chain hook holder and put it into the assembly as shown.



Maintenance

The B-Too is easily maintained for years of service if the following instructions are followed.

Slide Gate: After each tap clean out the chips that have accumulated inside the slide gate. Ample room is provided to fit a gloved hand inside to sweep chips out. The 3/4" plug can be removed so that water can be sprayed through the hole to flush the chips out. A 3/4" ball valve can be attached to these holes for quick flushing during and after tapping.

Holder: The holder shaft should be periodically lubricated with a light oil, such as Triflow, WD 40, or grease.

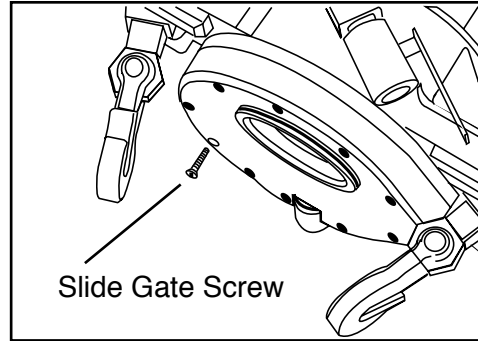
Barrel: The barrel should be kept clean and free of 'dings' and 'dents' on the threaded section.

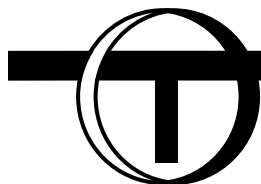
By Pass Valve: Periodically remove the 1/16" pipe plugs from the by pass valve block and clean the holes out using a steel rod or coat hanger.

Keep it clean. Like any tool, the B-Too will work and perform better if it is kept clean and well lubricated.

To remove Slide Gate Bottom:

Place B-Too on its side and remove the 10 5/16" screws out from the bottom. Once the bottom is removed, check Slide Gate gasket for tears. Replace if necessary





Transmate

A.Y. McDonald

Corp	Inlet Thread	Outlet Size	B-Too Adapters
3120	AWWA Taper	3/4"	3/4" FIP Quick Release Screw Plug 356-22-07
3120	AWWA Taper	1"	1" FIP Quick Release Screw Plug 356-22-05
3121	AWWA Taper	3/4"	3/4" FIP Quick Release Screw Plug 356-22-07
3121	AWWA Taper	1"	1" FIP Quick Release Screw Plug 356-22-05
3121	AWWA Taper	1 1/4"	1 1/4" FIP Quick Release Screw Plug 356-22-12
3121B	AWWA Taper	1"	1" FIP Quick Release Screw Plug 356-22-05
3121B	AWWA Taper	1 1/4"	1 1/4" FIP Quick Release Screw Plug 356-22-12
3122	Std. MIP	3/4"	3/4" FIP Quick Release Screw Plug 356-22-07
3122	Std. MIP	1"	1" FIP Quick Release Screw Plug 356-22-05
3122	Std. MIP	1 1/4"	1 1/4" FIP Quick Release Screw Plug 356-22-12
3122B	Std. MIP	1"	1" FIP Quick Release Screw Plug 356-22-05
3122B	Std. MIP	1 1/4"	1 1/4" FIP Quick Release Screw Plug 356-22-12
3128	AWWA Taper	3/4"	3/4" FIP Quick Release Screw Plug 356-22-07
3128	AWWA Taper	1"	1" FIP Quick Release Screw Plug 356-22-05
3128	AWWA Taper	1 1/4"	1 1/4" FIP Quick Release Screw Plug 356-22-12
3128B	AWWA Taper	3/4"	3/4" FIP Quick Release Screw Plug 356-22-07
3128B	AWWA Taper	1"	1" FIP Quick Release Screw Plug 356-22-05
3131	Std. MIP	3/4"	3/4" FIP Quick Release Screw Plug 356-22-07
3131	Std. MIP	1"	1" FIP Quick Release Screw Plug 356-22-05
3131	Std. MIP	1 1/4"	1 1/4" FIP Quick Release Screw Plug 356-22-12
3131B	Std. MIP	3/4"	3/4" FIP Quick Release Screw Plug 356-22-07
3131B	Std. MIP	1"	1" FIP Quick Release Screw Plug 356-22-05
3148B	AWWA Taper	3/4"	3/4" Drive Thread Quick Release Screw Plug 356-22-08
3148B	AWWA Taper	1"	1" Drive Thread Quick Release Screw Plug 356-22-03
3149B	Std. MIP	3/4"	3/4" Drive Thread Quick Release Screw Plug 356-22-08
3149B	Std. MIP	1"	1" Drive Thread Quick Release Screw Plug 356-22-03
3152	Std. MIP	3/4"	3/4" FIP Quick Release Screw Plug 356-22-07
3152	Std. MIP	1"	1" FIP Quick Release Screw Plug 356-22-05
4701-22	AWWA Taper	3/4"	3/4" FC Quick Release Screw Plug 356-22-06
4701-22	AWWA Taper	1"	1" FC Quick Release Screw Plug 356-22-02
4701-22	AWWA Taper	1 1/4"	1 1/4" FC Quick Release Screw Plug 356-22-11
4701-33	AWWA Taper	3/4"	1" FC Quick Release Screw Plug 356-22-02
4701-33	AWWA Taper	1"	1 1/4" FC Quick Release Screw Plug 356-22-11
4701-3Q	AWWA Taper	3/4"	3/4" FC Quick Release Screw Plug 356-22-06
4701-3Q	AWWA Taper	1"	1" FC Quick Release Screw Plug 356-22-02
4701-3T	AWWA Taper	3/4"	1" FC Quick Release Screw Plug 356-22-02
4701-3T	AWWA Taper	1"	1 1/4" FC Quick Release Screw Plug 356-22-11
4701-44	AWWA Taper	3/4"	1" FC Quick Release Screw Plug 356-22-02
4701-44	AWWA Taper	1"	1 1/4" FC Quick Release Screw Plug 356-22-11
4701-55	AWWA Taper	3/4"	1" FC Quick Release Screw Plug 356-22-02
4701-55	AWWA Taper	1"	1 1/4" FC Quick Release Screw Plug 356-22-11
4701B-22	AWWA Taper	3/4"	3/4" FC Quick Release Screw Plug 356-22-06
4701B-22	AWWA Taper	1"	1" FC Quick Release Screw Plug 356-22-02
4701B-22	AWWA Taper	1 1/4"	1 1/4" FC Quick Release Screw Plug 356-22-11
4701B-33	AWWA Taper	3/4"	1" FC Quick Release Screw Plug 356-22-02
4701B-33	AWWA Taper	1"	1 1/4" FC Quick Release Screw Plug 356-22-11
4701B-3Q	AWWA Taper	3/4"	3/4" FC Quick Release Screw Plug 356-22-06
4701B-3Q	AWWA Taper	1"	1" FC Quick Release Screw Plug 356-22-02
4701B-3T	AWWA Taper	3/4"	1" FC Quick Release Screw Plug 356-22-02
4701B-3T	AWWA Taper	1"	1 1/4" FC Quick Release Screw Plug 356-22-11
4701B-44	AWWA Taper	3/4"	1" FC Quick Release Screw Plug 356-22-02
4701B-44	AWWA Taper	1"	1 1/4" FC Quick Release Screw Plug 356-22-11
4701B-55	AWWA Taper	3/4"	1" FC Quick Release Screw Plug 356-22-02
4701B-55	AWWA Taper	1"	1 1/4" FC Quick Release Screw Plug 356-22-11

A.Y. McDonald

Corp	Inlet Thread	Outlet Size	B-Too Adapters
4101BCAP-22	AWWA Taper	3/4"	3/4" FC Quick Release Screw Plug 356-22-06
4101BCAP-22	AWWA Taper	1"	1" FC Quick Release Screw Plug 356-22-02
4101BCAP-33	AWWA Taper	3/4"	1" FC Quick Release Screw Plug 356-22-02
4101BCAP-33	AWWA Taper	1"	1 1/4" FC Quick Release Screw Plug 356-22-11
4101BCAP-3Q	AWWA Taper	3/4"	3/4" FC Quick Release Screw Plug 356-22-06
4101BCAP-3Q	AWWA Taper	1"	1" FC Quick Release Screw Plug 356-22-02
4101BCAP-44	AWWA Taper	3/4"	1" FC Quick Release Screw Plug 356-22-02
4101BCAP-44	AWWA Taper	1"	1 1/4" FC Quick Release Screw Plug 356-22-11
4101BCAPF	AWWA Taper	3/4"	3/4" Drive Thread Quick Release Screw Plug 356-22-08
4101BCAPF	AWWA Taper	1"	1" Drive Thread Quick Release Screw Plug 356-22-03
4101BCAPP	AWWA Taper	3/4"	3/4" FIP Quick Release Screw Plug 356-22-07
4101BCAPP	AWWA Taper	1"	1" FIP Quick Release Screw Plug 356-22-05
4101BCAPQ	AWWA Taper	3/4"	3/4" FC Quick Release Screw Plug 356-22-06
4101BCAPQ	AWWA Taper	1"	1" FC Quick Release Screw Plug 356-22-02
4101BCAPT	AWWA Taper	3/4"	3/4" FC Quick Release Screw Plug 356-22-06
4101BCAPT	AWWA Taper	1"	1" FC Quick Release Screw Plug 356-22-02
4101BP	AWWA Taper	1"	1" FIP Quick Release Screw Plug 356-22-05
4701BQ	AWWA Taper	3/4"	3/4" FC Quick Release Screw Plug 356-22-06
4701BQ	AWWA Taper	1"	1" FC Quick Release Screw Plug 356-22-02
4701BQ	AWWA Taper	1 1/4"	1 1/4" FC Quick Release Screw Plug 356-22-11
4701BT	AWWA Taper	3/4"	3/4" FC Quick Release Screw Plug 356-22-06
4701BT	AWWA Taper	1"	1" FC Quick Release Screw Plug 356-22-02
4701BT	AWWA Taper	1 1/4"	1 1/4" FC Quick Release Screw Plug 356-22-11
4701Q	AWWA Taper	3/4"	3/4" FC Quick Release Screw Plug 356-22-06
4701Q	AWWA Taper	1"	1" FC Quick Release Screw Plug 356-22-02
4701Q	AWWA Taper	1 1/4"	1 1/4" FC Quick Release Screw Plug 356-22-11
4701T	AWWA Taper	3/4"	3/4" FC Quick Release Screw Plug 356-22-06
4701T	AWWA Taper	1"	1" FC Quick Release Screw Plug 356-22-02
4701T	AWWA Taper	1 1/4"	1 1/4" FC Quick Release Screw Plug 356-22-11
4704-22	Std. MIP	3/4"	3/4" FC Quick Release Screw Plug 356-22-06
4704-22	Std. MIP	1"	1" FC Quick Release Screw Plug 356-22-02
4704-22	Std. MIP	1 1/4"	1 1/4" FC Quick Release Screw Plug 356-22-11
4704-33	Std. MIP	3/4"	1" FC Quick Release Screw Plug 356-22-02
4704-33	Std. MIP	1"	1 1/4" FC Quick Release Screw Plug 356-22-11
4704-44	Std. MIP	3/4"	1" FC Quick Release Screw Plug 356-22-02
4704-44	Std. MIP	1"	1 1/4" FC Quick Release Screw Plug 356-22-11
4704-55	Std. MIP	3/4"	1" FC Quick Release Screw Plug 356-22-02
4704-55	Std. MIP	1"	1 1/4" FC Quick Release Screw Plug 356-22-11
4704-3Q	Std. MIP	3/4"	3/4" FC Quick Release Screw Plug 356-22-06
4704-3Q	Std. MIP	1"	1" FC Quick Release Screw Plug 356-22-02
4704-3T	Std. MIP	3/4"	1" FC Quick Release Screw Plug 356-22-02
4704-3T	Std. MIP	1"	1 1/4" FC Quick Release Screw Plug 356-22-11
4704B-22	Std. MIP	3/4"	3/4" FC Quick Release Screw Plug 356-22-06
4704B-22	Std. MIP	1"	1" FC Quick Release Screw Plug 356-22-02
4704B-22	Std. MIP	1 1/4"	1 1/4" FC Quick Release Screw Plug 356-22-11
4704B-33	Std. MIP	3/4"	1" FC Quick Release Screw Plug 356-22-02
4704B-33	Std. MIP	1"	1 1/4" FC Quick Release Screw Plug 356-22-11
4704B-44	Std. MIP	3/4"	1" FC Quick Release Screw Plug 356-22-02
4704B-44	Std. MIP	1"	1 1/4" FC Quick Release Screw Plug 356-22-11
4704B-55	Std. MIP	3/4"	1" FC Quick Release Screw Plug 356-22-02
4704B-55	Std. MIP	1"	1 1/4" FC Quick Release Screw Plug 356-22-11

A.Y. McDonald

Corp	Inlet Thread	Outlet Size	B-Too Adapters
4704B-3Q	Std. MIP	3/4"	3/4" FC Quick Release Screw Plug 356-22-06
4704B-3Q	Std. MIP	1"	1" FC Quick Release Screw Plug 356-22-02
4704B-3T	Std. MIP	3/4"	1" FC Quick Release Screw Plug 356-22-02
4704B-3T	Std. MIP	1"	1 1/4" FC Quick Release Screw Plug 356-22-11
4104BCAP-22	Std. MIP	3/4"	3/4" FC Quick Release Screw Plug 356-22-06
4104BCAP-22	Std. MIP	1"	1" FC Quick Release Screw Plug 356-22-02
4104BCAP-33	Std. MIP	3/4"	1" FC Quick Release Screw Plug 356-22-02
4104BCAP-33	Std. MIP	1"	1 1/4" FC Quick Release Screw Plug 356-22-11
4104BCAP-3Q	Std. MIP	3/4"	3/4" FC Quick Release Screw Plug 356-22-06
4104BCAP-3Q	Std. MIP	1"	1" FC Quick Release Screw Plug 356-22-02
4104BCAP-44	Std. MIP	3/4"	1" FC Quick Release Screw Plug 356-22-02
4104BCAP-44	Std. MIP	1"	1 1/4" FC Quick Release Screw Plug 356-22-11
4104BCAPF	Std. MIP	3/4"	3/4" Drive Thread Quick Release Screw Plug 356-22-08
4104BCAPF	Std. MIP	1"	1" Drive Thread Quick Release Screw Plug 356-22-03
4104BCAPP	Std. MIP	3/4"	3/4" FIP Quick Release Screw Plug 356-22-07
4104BCAPP	Std. MIP	1"	1" FIP Quick Release Screw Plug 356-22-05
4704BQ	Std. MIP	3/4"	3/4" FC Quick Release Screw Plug 356-22-06
4704BQ	Std. MIP	1"	1" FC Quick Release Screw Plug 356-22-02
4704BT	Std. MIP	3/4"	3/4" FC Quick Release Screw Plug 356-22-06
4704BT	Std. MIP	1"	1" FC Quick Release Screw Plug 356-22-02
4704BT	Std. MIP	1 1/4"	1 1/4" FC Quick Release Screw Plug 356-22-11
4104BP	Std. MIP	1"	1" FIP Quick Release Screw Plug 356-22-05
4704Q	Std. MIP	3/4"	3/4" FC Quick Release Screw Plug 356-22-06
4704Q	Std. MIP	1"	1" FC Quick Release Screw Plug 356-22-02
4704Q	Std. MIP	1 1/4"	1 1/4" FC Quick Release Screw Plug 356-22-11
4704T	Std. MIP	3/4"	3/4" FC Quick Release Screw Plug 356-22-06
4704T	Std. MIP	1"	1" FC Quick Release Screw Plug 356-22-02
4704T	Std. MIP	1 1/4"	1 1/4" FC Quick Release Screw Plug 356-22-11

Rev. 7-5-2010

Cambridge

Corp	Inlet Thread	Outlet Size	B-Too Adapters
301-A3B3	AWWA Taper	3/4"	3/4" FC Quick Release Screw Plug 356-22-06
301-A3C3	AWWA Taper	3/4"	3/4" FC Quick Release Screw Plug 356-22-06
301-A3CE3	AWWA Taper	3/4"	3/4" FC Quick Release Screw Plug 356-22-06
301-A3F3	AWWA Taper	3/4"	3/4" Drive Thread Quick Release Screw Plug 356-22-08
301-A3GJ3	AWWA Taper	3/4"	3/4" FC Quick Release Screw Plug 356-22-06
301-A3H3	AWWA Taper	3/4"	3/4" FC Quick Release Screw Plug 356-22-06
301-A3H4	AWWA Taper	1"	1" FC Quick Release Screw Plug 356-22-02
301-A3HE3	AWWA Taper	3/4"	3/4" FC Quick Release Screw Plug 356-22-06
301-A3J3	AWWA Taper	3/4"	3/4" FC Quick Release Screw Plug 356-22-06
301-A3K3	AWWA Taper	3/4"	3/4" FC Quick Release Screw Plug 356-22-06
301-A3PV3	AWWA Taper	3/4"	3/4" FC Quick Release Screw Plug 356-22-06
301-A3Z3	AWWA Taper	3/4"	3/4" FC Quick Release Screw Plug 356-22-06
301-A4B4	AWWA Taper	1"	1" FC Quick Release Screw Plug 356-22-02
301-A4C4	AWWA Taper	1"	1" FC Quick Release Screw Plug 356-22-02
301-A4CE4	AWWA Taper	1"	1" FC Quick Release Screw Plug 356-22-02
301-A4F4	AWWA Taper	1"	1" Drive Thread Quick Release Screw Plug 356-22-03
301-A4GJ4	AWWA Taper	1"	1" FC Quick Release Screw Plug 356-22-02
301-A4H4	AWWA Taper	1"	1" FC Quick Release Screw Plug 356-22-02
301-A4HE4	AWWA Taper	1"	1" FC Quick Release Screw Plug 356-22-02
301-A4J4	AWWA Taper	1"	1" FC Quick Release Screw Plug 356-22-02
301-A4K4	AWWA Taper	1"	1" FC Quick Release Screw Plug 356-22-02
301-A4M4	AWWA Taper	1"	1" FIP Quick Release Screw Plug 356-22-05
301-A4PV4	AWWA Taper	1"	1" FC Quick Release Screw Plug 356-22-02
301-A4Z4	AWWA Taper	1"	1" FC Quick Release Screw Plug 356-22-02
301-A5C5	AWWA Taper	1 1/4"	1 1/4" FC Quick Release Screw Plug 356-22-11
301-A5H5	AWWA Taper	1 1/4"	1 1/4" FC Quick Release Screw Plug 356-22-11
301-A5M5	AWWA Taper	1 1/4"	1 1/4" FIP Quick Release Screw Plug 356-22-12
301-M3B3	Std. MIP	3/4"	3/4" FC Quick Release Screw Plug 356-22-06
301-M3C3	Std. MIP	3/4"	3/4" FC Quick Release Screw Plug 356-22-06
301-M3F3	Std. MIP	3/4"	3/4" FIP Quick Release Screw Plug 356-22-07
301-M3GJ3	Std. MIP	3/4"	3/4" FC Quick Release Screw Plug 356-22-06
301-M3H3	Std. MIP	3/4"	3/4" FC Quick Release Screw Plug 356-22-06
301-M3J3	Std. MIP	3/4"	3/4" FC Quick Release Screw Plug 356-22-06
301-M3K3	Std. MIP	3/4"	3/4" FC Quick Release Screw Plug 356-22-06
301-M3PV3	Std. MIP	3/4"	3/4" FC Quick Release Screw Plug 356-22-06
301-M3Z3	Std. MIP	3/4"	3/4" FC Quick Release Screw Plug 356-22-06
301-M4B4	Std. MIP	1"	1" FC Quick Release Screw Plug 356-22-02
301-M4C4	Std. MIP	1"	1" FC Quick Release Screw Plug 356-22-02
301-M4F4	Std. MIP	1"	1" Drive Thread Quick Release Screw Plug 356-22-03
301-M4GJ4	Std. MIP	1"	1" FC Quick Release Screw Plug 356-22-02
301-M4H4	Std. MIP	1"	1" FC Quick Release Screw Plug 356-22-02
301-M4J4	Std. MIP	1"	1" FC Quick Release Screw Plug 356-22-02
301-M4K4	Std. MIP	1"	1" FC Quick Release Screw Plug 356-22-02
301-M4M4	Std. MIP	1"	1" FIP Quick Release Screw Plug 356-22-05
301-M4PV4	Std. MIP	1"	1" FC Quick Release Screw Plug 356-22-02
301-M4Z4	Std. MIP	1"	1" FC Quick Release Screw Plug 356-22-02
301-M5C5	Std. MIP	1 1/4"	1 1/4" FC Quick Release Screw Plug 356-22-11
301-M5H5	Std. MIP	1 1/4"	1 1/4" FC Quick Release Screw Plug 356-22-11
301-M5M5	Std. MIP	1 1/4"	1 1/4" FIP Quick Release Screw Plug 356-22-12

Cambridge

Corp	Inlet Thread	Outlet Size	B-Too Adapters
302-A3B3	AWWA Taper	3/4"	3/4" FC Quick Release Screw Plug 356-22-06
302-A3B4	AWWA Taper	1"	1" FC Quick Release Screw Plug 356-22-02
302-A3C3	AWWA Taper	3/4"	3/4" FC Quick Release Screw Plug 356-22-06
302-A3CE3	AWWA Taper	3/4"	3/4" FC Quick Release Screw Plug 356-22-06
302-A3F3	AWWA Taper	3/4"	3/4" FIP Quick Release Screw Plug 356-22-07
302-A3GJ3	AWWA Taper	3/4"	3/4" FC Quick Release Screw Plug 356-22-06
302-A3GJ4	AWWA Taper	1"	1" FC Quick Release Screw Plug 356-22-02
302-A3H3	AWWA Taper	3/4"	3/4" FC Quick Release Screw Plug 356-22-06
302-A3H3I	AWWA Taper	3/4"	3/4" FC Quick Release Screw Plug 356-22-06
302-A3H4	AWWA Taper	1"	1" FC Quick Release Screw Plug 356-22-02
302-A3HE3	AWWA Taper	3/4"	3/4" FC Quick Release Screw Plug 356-22-06
302-A3J3	AWWA Taper	3/4"	3/4" FC Quick Release Screw Plug 356-22-06
302-A3J4	AWWA Taper	1"	1" FC Quick Release Screw Plug 356-22-02
302-A3K3	AWWA Taper	3/4"	3/4" FC Quick Release Screw Plug 356-22-06
302-A3M3	AWWA Taper	3/4"	3/4" Drive Thread Quick Release Screw Plug 356-22-08
302-A3PV3	AWWA Taper	3/4"	3/4" FC Quick Release Screw Plug 356-22-06
302-A3PV4	AWWA Taper	1"	1" FC Quick Release Screw Plug 356-22-02
302-A3Z3	AWWA Taper	3/4"	3/4" FC Quick Release Screw Plug 356-22-06
302-A3Z4	AWWA Taper	1"	1" FC Quick Release Screw Plug 356-22-02
302-A4B4	AWWA Taper	1"	1" FC Quick Release Screw Plug 356-22-02
302-A4C4	AWWA Taper	1"	1" FC Quick Release Screw Plug 356-22-02
302-A4CE4	AWWA Taper	1"	1" FC Quick Release Screw Plug 356-22-02
302-A4F4	AWWA Taper	1"	1" FIP Quick Release Screw Plug 356-22-05
302-A4GJ4	AWWA Taper	1"	1" FC Quick Release Screw Plug 356-22-02
302-A4H4	AWWA Taper	1"	1" FC Quick Release Screw Plug 356-22-02
302-A4HAI	AWWA Taper	1"	1" FC Quick Release Screw Plug 356-22-02
302-A4HE4	AWWA Taper	1"	1" FC Quick Release Screw Plug 356-22-02
302-A4J4	AWWA Taper	1"	1" FC Quick Release Screw Plug 356-22-02
302-A4K4	AWWA Taper	1"	1" FC Quick Release Screw Plug 356-22-02
302-A4M4	AWWA Taper	1"	1" Drive Thread Quick Release Screw Plug 356-22-03
302-A4Z4	AWWA Taper	1"	1" FC Quick Release Screw Plug 356-22-02
302-M3B3	Std. MIP	3/4"	3/4" FC Quick Release Screw Plug 356-22-06
302-M3B4	Std. MIP	1"	1" FC Quick Release Screw Plug 356-22-02
302-M3GJ3	Std. MIP	3/4"	3/4" FC Quick Release Screw Plug 356-22-06
302-M3GJ4	Std. MIP	1"	1" FC Quick Release Screw Plug 356-22-02
302-M3H3	Std. MIP	3/4"	3/4" Drive Thread Quick Release Screw Plug 356-22-08
302-M3H4	Std. MIP	1"	1" Drive Thread Quick Release Screw Plug 356-22-03
302-M4B4	Std. MIP	1"	1" FC Quick Release Screw Plug 356-22-02
302-M4GJ4	Std. MIP	1"	1" FC Quick Release Screw Plug 356-22-02
302-M4H4	Std. MIP	1"	1" Drive Thread Quick Release Screw Plug 356-22-03
311-A3B3	AWWA Taper	3/4"	3/4" FC Quick Release Screw Plug 356-22-06
311-A3C3	AWWA Taper	3/4"	3/4" FC Quick Release Screw Plug 356-22-06
311-A3F3	AWWA Taper	3/4"	3/4" Drive Thread Quick Release Screw Plug 356-22-08
311-A3H3	AWWA Taper	3/4"	3/4" FC Quick Release Screw Plug 356-22-06
311-A3J3	AWWA Taper	3/4"	3/4" FC Quick Release Screw Plug 356-22-06
311-A3PV3	AWWA Taper	3/4"	3/4" FC Quick Release Screw Plug 356-22-06
311-A3Z3	AWWA Taper	3/4"	3/4" FC Quick Release Screw Plug 356-22-06
311-A4B4	AWWA Taper	1"	1" FC Quick Release Screw Plug 356-22-02
311-A4C4	AWWA Taper	1"	1" FC Quick Release Screw Plug 356-22-02
311-A4F4	AWWA Taper	1"	1" Drive Thread Quick Release Screw Plug 356-22-03
311-A4H4	AWWA Taper	1"	1" FC Quick Release Screw Plug 356-22-02
311-A4J4	AWWA Taper	1"	1" FC Quick Release Screw Plug 356-22-02
311-A4M4	AWWA Taper	1"	1" FIP Quick Release Screw Plug 356-22-05

Cambridge

Corp	Inlet Thread	Outlet Size	B-Too Adapters
311-A4PV4	AWWA Taper	1"	1" FC Quick Release Screw Plug 356-22-02
311-A4Z4	AWWA Taper	1"	1" FC Quick Release Screw Plug 356-22-02
311-A5C5	AWWA Taper	1 1/4"	1 1/4" FC Quick Release Screw Plug 356-22-11
311-A5H5	AWWA Taper	1 1/4"	1 1/4" FC Quick Release Screw Plug 356-22-11
311-A5M5	AWWA Taper	1 1/4"	1 1/4" FIP Quick Release Screw Plug 356-22-12
311-M3B3	Std. MIP	3/4"	3/4" FC Quick Release Screw Plug 356-22-06
311-M3C3	Std. MIP	3/4"	3/4" FC Quick Release Screw Plug 356-22-06
311-M3F3	Std. MIP	3/4"	3/4" Drive Thread Quick Release Screw Plug 356-22-08
311-M3H3	Std. MIP	3/4"	3/4" FC Quick Release Screw Plug 356-22-06
311-M3J3	Std. MIP	3/4"	3/4" FC Quick Release Screw Plug 356-22-06
311-M3PV3	Std. MIP	3/4"	3/4" FC Quick Release Screw Plug 356-22-06
311-M3Z3	Std. MIP	3/4"	3/4" FC Quick Release Screw Plug 356-22-06
311-M4B4	Std. MIP	1"	1" FC Quick Release Screw Plug 356-22-02
311-M4C4	Std. MIP	1"	1" FC Quick Release Screw Plug 356-22-02
311-M4F4	Std. MIP	1"	1" Drive Thread Quick Release Screw Plug 356-22-03
311-M4H4	Std. MIP	1"	1" FC Quick Release Screw Plug 356-22-02
311-M4J4	Std. MIP	1"	1" FC Quick Release Screw Plug 356-22-02
311-M4J4	Std. MIP	1"	1" FC Quick Release Screw Plug 356-22-02
311-M4M4	Std. MIP	1"	1" FIP Quick Release Screw Plug 356-22-05
311-M4PV4	Std. MIP	1"	1" FC Quick Release Screw Plug 356-22-02
311-M4Z4	Std. MIP	1"	1" FC Quick Release Screw Plug 356-22-02
311-M5C5	Std. MIP	1 1/4"	1 1/4" FC Quick Release Screw Plug 356-22-11
311-M5H5	Std. MIP	1 1/4"	1 1/4" FC Quick Release Screw Plug 356-22-11
311-M5M5	Std. MIP	1 1/4"	1 1/4" FIP Quick Release Screw Plug 356-22-12

Rev. 7-5-2010

Ford

Corp	Inlet Thread	Outlet Size	B-Too Adapters
F400-13	AWWA Taper	3/4"	3/4" FIP Quick Release Screw Plug 356-22-07
F400-3	AWWA Taper	3/4"	3/4" FIP Quick Release Screw Plug 356-22-07
F400-34	AWWA Taper	1"	1" FIP Quick Release Screw Plug 356-22-05
F400-4	AWWA Taper	1"	1" FIP Quick Release Screw Plug 356-22-05
F500-1	Std. MIP	3/4"	3/4" FIP Quick Release Screw Plug 356-22-07
F500-13	Std. MIP	3/4"	3/4" FIP Quick Release Screw Plug 356-22-07
F500-3	Std. MIP	3/4"	3/4" FIP Quick Release Screw Plug 356-22-07
F500-4	Std. MIP	1"	1" FIP Quick Release Screw Plug 356-22-05
F600-23	AWWA Taper	3/4"	3/4" FC Quick Release Screw Plug 356-22-06
F600-3	AWWA Taper	3/4"	3/4" FC Quick Release Screw Plug 356-22-06
F600-34	AWWA Taper	1"	1" FC Quick Release Screw Plug 356-22-02
F600-4	AWWA Taper	1"	1" FC Quick Release Screw Plug 356-22-02
F600-45	AWWA Taper	1 1/4"	1 1/4" FC Quick Release Screw Plug 356-22-11
F700-3	Std. MIP	3/4"	3/4" FC Quick Release Screw Plug 356-22-06
F700-34	Std. MIP	1"	1" FC Quick Release Screw Plug 356-22-02
F700-4	Std. MIP	1"	1" FC Quick Release Screw Plug 356-22-02
F700-45	Std. MIP	1 1/4"	1 1/4" FC Quick Release Screw Plug 356-22-11
F800-1	AWWA Taper	3/4"	3/4" FIP Quick Release Screw Plug 356-22-07
F800-2	AWWA Taper	3/4"	3/4" FIP Quick Release Screw Plug 356-22-07
F800-3	AWWA Taper	1"	1" FIP Quick Release Screw Plug 356-22-05
F800-4	AWWA Taper	1 1/4"	1 1/4" FIP Quick Release Screw Plug 356-22-12
F900-1	Std. MIP	3/4"	3/4" FIP Quick Release Screw Plug 356-22-07
F900-3	Std. MIP	3/4"	3/4" FC Quick Release Screw Plug 356-22-06
F900-4	Std. MIP	1 1/4"	1 1/4" FIP Quick Release Screw Plug 356-22-12
F1000-23	AWWA Taper	3/4"	3/4" FC Quick Release Screw Plug 356-22-06
F1000-3	AWWA Taper	3/4"	3/4" FC Quick Release Screw Plug 356-22-06
F1000-34	AWWA Taper	1"	1" FC Quick Release Screw Plug 356-22-02
F1000-3-Q	AWWA Taper	3/4"	3/4" FC Quick Release Screw Plug 356-22-06
F1000-4	AWWA Taper	1"	1" FC Quick Release Screw Plug 356-22-02
F1000-45	AWWA Taper	1 1/4"	1 1/4" FC Quick Release Screw Plug 356-22-11
F1000-4-Q	AWWA Taper	1"	1" FC Quick Release Screw Plug 356-22-02
F1001-3	AWWA Taper	1"	1" FC Quick Release Screw Plug 356-22-02
F1001-34	AWWA Taper	1 1/4"	1 1/4" FC Quick Release Screw Plug 356-22-11
F1001-3-Q	AWWA Taper	3/4"	3/4" 110 Compression Connection 356-22-14
F1001-4	AWWA Taper	1 1/4"	1 1/4" FC Quick Release Screw Plug 356-22-11
F1001-4-Q	AWWA Taper	1"	1" 110 Compression Connection 356-22-13
F1002-3	AWWA Taper	1"	1" FC Quick Release Screw Plug 356-22-02
F1002-34	AWWA Taper	1 1/4"	1 1/4" FC Quick Release Screw Plug 356-22-11
F1002-4	AWWA Taper	1 1/4"	1 1/4" FC Quick Release Screw Plug 356-22-11
F1100-3	Std. MIP	3/4"	3/4" FC Quick Release Screw Plug 356-22-06
F1100-34	Std. MIP	1"	1" FC Quick Release Screw Plug 356-22-02
F1100-3-Q	Std. MIP	3/4"	3/4" FC Quick Release Screw Plug 356-22-06
F1100-4	Std. MIP	1"	1" FC Quick Release Screw Plug 356-22-02
F1100-45	Std. MIP	1 1/4"	1 1/4" FC Quick Release Screw Plug 356-22-11
F1100-4-Q	Std. MIP	1"	1" FC Quick Release Screw Plug 356-22-02
F1101-3	Std. MIP	1"	1" FC Quick Release Screw Plug 356-22-02
F1101-34	Std. MIP	1 1/4"	1 1/4" FC Quick Release Screw Plug 356-22-11
F1101-3-Q	Std. MIP	3/4"	3/4" 110 Compression Connection 356-22-14
F1101-4	Std. MIP	1 1/4"	1 1/4" FC Quick Release Screw Plug 356-22-11
F1101-4-Q	Std. MIP	1 1/4"	1 1/4" 110 Compression Connection 351-05-710
F1102-3	Std. MIP	1"	1" FC Quick Release Screw Plug 356-22-02
F1102-4	Std. MIP	1 1/4"	1 1/4" FC Quick Release Screw Plug 356-22-11

Ford

Corp	Inlet Thread	Outlet Size	B-Too Adapters
F1600-3	AWWA Taper	3/4"	3/4" Drive Thread Quick Release Screw Plug 356-22-08
F1600-4	AWWA Taper	1"	1" Drive Thread Quick Release Screw Plug 356-22-03
F1700-3	Std. MIP	3/4"	3/4" Drive Thread Quick Release Screw Plug 356-22-08
F1700-4	Std. MIP	1"	1" Drive Thread Quick Release Screw Plug 356-22-03
FB400-3	AWWA Taper	3/4"	3/4" FIP Quick Release Screw Plug 356-22-07
FB400-4	AWWA Taper	1"	1" FIP Quick Release Screw Plug 356-22-05
FB400-5	AWWA Taper	1 1/4"	1 1/4" FIP Quick Release Screw Plug 356-22-12
FB500-3	Std. MIP	3/4"	3/4" FIP Quick Release Screw Plug 356-22-07
FB500-4	Std. MIP	1"	1" FIP Quick Release Screw Plug 356-22-05
FB500-5	Std. MIP	1 1/4"	1 1/4" FIP Quick Release Screw Plug 356-22-12
FB600-3	AWWA Taper	3/4"	3/4" FC Quick Release Screw Plug 356-22-06
FB600-34	AWWA Taper	1"	1" FC Quick Release Screw Plug 356-22-02
FB600-4	AWWA Taper	1"	1" FC Quick Release Screw Plug 356-22-02
FB600-5	AWWA Taper	1 1/4"	1 1/4" FC Quick Release Screw Plug 356-22-11
FB700-3	Std. MIP	3/4"	3/4" FC Quick Release Screw Plug 356-22-06
FB700-34	Std. MIP	1"	1" FC Quick Release Screw Plug 356-22-02
FB700-4	Std. MIP	1"	1" FC Quick Release Screw Plug 356-22-02
FB700-5	Std. MIP	1 1/4"	1 1/4" FC Quick Release Screw Plug 356-22-11
FB800-3	AWWA Taper	1"	1" FIP Quick Release Screw Plug 356-22-05
FB800-4	AWWA Taper	1 1/4"	1 1/4" FIP Quick Release Screw Plug 356-22-12
FB900-3	Std. MIP	1"	1" FIP Quick Release Screw Plug 356-22-05
FB900-4	Std. MIP	1 1/4"	1 1/4" FIP Quick Release Screw Plug 356-22-12
FB1000-3	AWWA Taper	3/4"	3/4" FC Quick Release Screw Plug 356-22-06
FB1000-34	AWWA Taper	1"	1" FC Quick Release Screw Plug 356-22-02
FB1000-3-Q	AWWA Taper	3/4"	3/4" 110 Compression Connection 356-22-14
FB1000-4	AWWA Taper	1"	1" FC Quick Release Screw Plug 356-22-02
FB1000-45	AWWA Taper	1 1/4"	1 1/4" FC Quick Release Screw Plug 356-22-11
FB1000-4-Q	AWWA Taper	1"	1" 110 Compression Connection 356-22-13
FB1000-5	AWWA Taper	1 1/4"	1 1/4" FC Quick Release Screw Plug 356-22-11
FB1001-3	AWWA Taper	1	1" FC Quick Release Screw Plug 356-22-02
FB1001-3-Q	AWWA Taper	3/4"	3/4" 110 Compression Connection 356-22-14
FB1001-4	AWWA Taper	1"	1" FC Quick Release Screw Plug 356-22-02
FB1001-4-Q	AWWA Taper	1"	1" 110 Compression Connection 356-22-13
FB1001-5	AWWA Taper	1 1/4"	1 1/4" FC Quick Release Screw Plug 356-22-11
FB1002-3	Std. MIP	1"	1" FC Quick Release Screw Plug 356-22-02
FB1002-4	Std. MIP	1 1/4"	1 1/4" FC Quick Release Screw Plug 356-22-11
FB1100-3	Std. MIP	3/4"	3/4" FC Quick Release Screw Plug 356-22-06
FB1100-34	Std. MIP	1"	1" FC Quick Release Screw Plug 356-22-02
FB1100-3-Q	Std. MIP	3/4"	3/4" 110 Compression Connection 356-22-14
FB1100-4	Std. MIP	1"	1" FC Quick Release Screw Plug 356-22-02
FB1100-45	Std. MIP	1 1/4"	1 1/4" FC Quick Release Screw Plug 356-22-11
FB1100-4-Q	Std. MIP	1"	1" 110 Compression Connection 356-22-13
FB1100-5	Std. MIP	1 1/4"	1 1/4" FC Quick Release Screw Plug 356-22-11
FB1101-3	Std. MIP	1"	1" FC Quick Release Screw Plug 356-22-02
FB1101-3-Q	Std. MIP	3/4"	3/4" 110 Compression Connection 356-22-14
FB1101-4	Std. MIP	1 1/4"	1 1/4" FC Quick Release Screw Plug 356-22-11
FB1101-4-Q	Std. MIP	1 1/4"	1 1/4" 110 Compression Connection 351-05-710
FB1102-4	Std. MIP	1"	1" FC Quick Release Screw Plug 356-22-02
FB1102-4	Std. MIP	1 1/4"	1 1/4" FC Quick Release Screw Plug 356-22-11
FB1600-3	AWWA Taper	3/4"	3/4" Drive Thread Quick Release Screw Plug 356-22-08
FB1600-4	AWWA Taper	1"	1" Drive Thread Quick Release Screw Plug 356-22-03
FB1700-3	Std. MIP	3/4"	3/4" Drive Thread Quick Release Screw Plug 356-22-08
FB1700-4	Std. MIP	1"	1" Drive Thread Quick Release Screw Plug 356-22-03

Jones

Corp	Inlet Threads	Outlet Size	B-Too Adapters
J-41	Std. MIP	3/4"	3/4" FIP Quick Release Screw Plug 356-22-07
J-41	Std. MIP	1"	1" FIP Quick Release Screw Plug 356-22-05
J-45	AWWA Taper	3/4"	3/4" Drive Thread Quick Release Screw Plug 356-22-09
J-45	AWWA Taper	1"	1" Drive Thread Quick Release Screw Plug 356-22-04
J-50	Std. MIP	3/4"	3/4" Drive Thread Quick Release Screw Plug 356-22-09
J-50	Std. MIP	1"	1" Drive Thread Quick Release Screw Plug 356-22-04
J-51	AWWA Taper	3/4"	3/4" Drive Thread Quick Release Screw Plug 356-22-09
J-51	AWWA Taper	1"	1" Drive Thread Quick Release Screw Plug 356-22-04
J-89	AWWA Taper	3/4"	3/4" FIP Quick Release Screw Plug 356-22-07
J-89	AWWA Taper	1"	1" FIP Quick Release Screw Plug 356-22-05
J-1500	AWWA Taper	3/4"	3/4" FC Quick Release Screw Plug 356-22-06
J-1500	AWWA Taper	1"	1" FC Quick Release Screw Plug 356-22-02
J-1504	Std. MIP	3/4"	3/4" FC Quick Release Screw Plug 356-22-06
J-1504	Std. MIP	1"	1" FC Quick Release Screw Plug 356-22-02
J-1505	Std. MIP	3/4"	3/4" FC Quick Release Screw Plug 356-22-06
J-1505	Std. MIP	1"	1" FC Quick Release Screw Plug 356-22-02
J-1929	Std. MIP	3/4"	3/4" FC Quick Release Screw Plug 356-22-06
J-1929	Std. MIP	1"	1" FC Quick Release Screw Plug 356-22-02
J-1930	AWWA Taper	3/4"	3/4" FC Quick Release Screw Plug 356-22-06
J-1930	AWWA Taper	1"	1" FC Quick Release Screw Plug 356-22-02
J-1931	Std. MIP	3/4"	3/4" Drive Thread Quick Release Screw Plug 356-22-09
J-1931	Std. MIP	1"	1" Drive Thread Quick Release Screw Plug 356-22-04
J-1932	AWWA Taper	3/4"	3/4" Drive Thread Quick Release Screw Plug 356-22-09
J-1932	AWWA Taper	1"	1" Drive Thread Quick Release Screw Plug 356-22-04
J-1935	Std. MIP	3/4"	3/4" FC Quick Release Screw Plug 356-22-06
J-1935	Std. MIP	1"	1" FC Quick Release Screw Plug 356-22-02
J-1935SG	Std. MIP	3/4"	3/4" 110 Compression Connection 356-22-14
J-1935SG	Std. MIP	1"	1" 110 Compression Connection 356-22-13
J-1936	Std. MIP	3/4"	3/4" FC Quick Release Screw Plug 356-22-06
J-1936	Std. MIP	1"	1" FC Quick Release Screw Plug 356-22-02
J-1936SG	Std. MIP	3/4"	3/4" 110 Compression Connection 356-22-14
J-1936SG	Std. MIP	1"	1" 110 Compression Connection 356-22-13
J-1937	AWWA Taper	3/4"	3/4" FC Quick Release Screw Plug 356-22-06
J-1937	AWWA Taper	1"	1" FC Quick Release Screw Plug 356-22-02
J-1937SG	AWWA Taper	3/4"	3/4" 110 Compression Connection 356-22-14
J-1937SG	AWWA Taper	1"	1" 110 Compression Connection 356-22-13
J-1938	AWWA Taper	3/4"	3/4" FC Quick Release Screw Plug 356-22-06
J-1938	AWWA Taper	1"	1" FC Quick Release Screw Plug 356-22-02
J1938SGP	AWWA Taper	3/4"	3/4" 110 Compression Connection 356-22-14
J1938SGP	AWWA Taper	1"	1" 110 Compression Connection 356-22-13
J-1943	Std. MIP	3/4"	3/4" FIP Quick Release Screw Plug 356-22-07
J-1943	Std. MIP	1"	1" FIP Quick Release Screw Plug 356-22-05
J-1944	AWWA Taper	3/4"	3/4" FIP Quick Release Screw Plug 356-22-07
J-1944	AWWA Taper	1"	1" FIP Quick Release Screw Plug 356-22-05
J-1977	Std. MIP	3/4"	3/4" FC Quick Release Screw Plug 356-22-06
J-1977	Std. MIP	1"	1" FC Quick Release Screw Plug 356-22-02
J-1985	AWWA Taper	3/4"	3/4" FC Quick Release Screw Plug 356-22-06
J-1985	AWWA Taper	1"	1" FC Quick Release Screw Plug 356-22-02
J-1991	Std. MIP	3/4"	3/4" 110 Compression Connection 356-22-14
J-1991	Std. MIP	1"	1" 110 Compression Connection 356-22-13
J-1993	Std. MIP	1"	1" FIP Quick Release Screw Plug 356-22-05

Jones

Corp	Inlet Threads	Outlet Size	B-Too Adapters
J-3401	AWWA Taper	3/4"	3/4" FC Quick Release Screw Plug 356-22-06
J-3401	AWWA Taper	1"	1" FC Quick Release Screw Plug 356-22-02
J-3401SG	AWWA Taper	3/4"	3/4" 110 Compression Connection 356-22-14
J-3401SG	AWWA Taper	1"	1" 110 Compression Connection 356-22-13
J-3402	AWWA Taper	3/4"	3/4" FC Quick Release Screw Plug 356-22-06
J-3402	AWWA Taper	1"	1" FC Quick Release Screw Plug 356-22-02
J-3402SGP	AWWA Taper	3/4"	3/4" 110 Compression Connection 356-22-14
J-3402SGP	AWWA Taper	1"	1" 110 Compression Connection 356-22-13
J-3403	Std. MIP	3/4"	3/4" FC Quick Release Screw Plug 356-22-06
J-3403	Std. MIP	1"	1" FC Quick Release Screw Plug 356-22-02
J-3403SG	Std. MIP	3/4"	3/4" 110 Compression Connection 356-22-14
J-3403SG	Std. MIP	1"	1" 110 Compression Connection 356-22-13
J-3404	Std. MIP	3/4"	3/4" FC Quick Release Screw Plug 356-22-06
J-3404	Std. MIP	1"	1" FC Quick Release Screw Plug 356-22-02
J-3403SGP	Std. MIP	3/4"	3/4" 110 Compression Connection 356-22-14
J-3403SGP	Std. MIP	1"	1" 110 Compression Connection 356-22-13

Rev. 7-5-2010

Mueller

Corp	Inlet Thread	Outlet Size	B-Too Adapters
B-2996	AWWA Taper	3/4"	3/4" FIP Quick Release Screw Plug 356-22-07
B-2996	AWWA Taper	1"	1" FIP Quick Release Screw Plug 356-22-05
B-20003	AWWA Taper	3/4"	3/4" FIP Quick Release Screw Plug 356-22-07
B-20003	AWWA Taper	1"	1" FIP Quick Release Screw Plug 356-22-05
B-20013	Std. MIP	3/4"	3/4" FIP Quick Release Screw Plug 356-22-07
B-20013	Std. MIP	1"	1" FIP Quick Release Screw Plug 356-22-05
B-20045	AWWA Taper	3/4"	3/4" FIP Quick Release Screw Plug 356-22-07
B-20045	AWWA Taper	1"	1" FIP Quick Release Screw Plug 356-22-05
B-20046	Std. MIP	3/4"	3/4" FIP Quick Release Screw Plug 356-22-07
B-20046	Std. MIP	1"	1" FIP Quick Release Screw Plug 356-22-05
B-25000	AWWA Taper	3/4"	3/4" FC Quick Release Screw Plug 356-22-06
B-25000	AWWA Taper	1"	1" FC Quick Release Screw Plug 356-22-02
B-25005	AWWA Taper	3/4"	3/4" FC Quick Release Screw Plug 356-22-06
B-25005	AWWA Taper	1"	1" FC Quick Release Screw Plug 356-22-02
B-25006	AWWA Taper	3/4"	3/4" FC Quick Release Screw Plug 356-22-06
B-25006	AWWA Taper	1"	1" FC Quick Release Screw Plug 356-22-02
B-25008	AWWA Taper	3/4"	3/4" FC Quick Release Screw Plug 356-22-06
B-25008	AWWA Taper	1"	1" FC Quick Release Screw Plug 356-22-02
B-25009	AWWA Taper	3/4"	3/4" 110 Compression Connection 356-22-14
B-25009	AWWA Taper	1"	1" 110 Compression Connection 356-22-13
B-25020	AWWA Taper	3/4"	3/4" FC Quick Release Screw Plug 356-22-06
B-25020	AWWA Taper	1"	1" FC Quick Release Screw Plug 356-22-02
B-25024	Std. MIP	3/4"	3/4" FC Quick Release Screw Plug 356-22-06
B-25024	Std. MIP	1"	1" FC Quick Release Screw Plug 356-22-02
B-25025	Std. MIP	3/4"	3/4" FC Quick Release Screw Plug 356-22-06
B-25025	Std. MIP	1"	1" FC Quick Release Screw Plug 356-22-02
B-25026	Std. MIP	3/4"	3/4" FC Quick Release Screw Plug 356-22-06
B-25026	Std. MIP	1"	1" FC Quick Release Screw Plug 356-22-02
B-25028	Std. MIP	3/4"	3/4" FC Quick Release Screw Plug 356-22-06
B-25028	Std. MIP	1"	1" FC Quick Release Screw Plug 356-22-02
B-25029	Std. MIP	3/4"	3/4" 110 Compression Connection 356-22-14
B-25029	Std. MIP	1"	1" 110 Compression Connection 356-22-13

E-25009	AWWA Taper	3/4"	3/4" FC Quick Release Screw Plug 356-22-06
E-25009	AWWA Taper	1"	1" FC Quick Release Screw Plug 356-22-02
E-25029	Std. MIP	1"	1" FC Quick Release Screw Plug 356-22-02

H-9971	AWWA Taper	3/4"	3/4" FC Quick Release Screw Plug 356-22-06
H-9971	AWWA Taper	1"	1" Special Adapter 351-05-H9995
H-9976	Std. MIP	3/4"	3/4" FC Quick Release Screw Plug 356-22-06
H-9976	Std. MIP	1"	1" Special Adapter 351-05-H9995
H-9979	Std. MIP	5/8"	3/4" FIP Quick Release Screw Plug 356-22-07
H-9979	Std. MIP	3/4"	1" FIP Quick Release Screw Plug 356-22-05
H-9979	Std. MIP	1"	1 1/4" FIP Quick Release Screw Plug 356-22-12
H-9991	AWWA Taper	1"	1" Special Adapter 351-05-H9995
H-9992	AWWA Taper	1 1/4"	1 1/4" FIP Quick Release Screw Plug 356-22-12
H-9995	Std. MIP	1"	1" Special Adapter 351-05-H9995
H-9996	AWWA Taper	3/4"	3/4" FIP Quick Release Screw Plug 356-22-07
H-9996	AWWA Taper	1"	1" FIP Quick Release Screw Plug 356-22-05
H-10003	AWWA Taper	5/8"	3/4" FIP Quick Release Screw Plug 356-22-07
H-10003	AWWA Taper	3/4"	1" FIP Quick Release Screw Plug 356-22-05
H-10003	AWWA Taper	1"	1 1/4" FIP Quick Release Screw Plug 356-22-12
H-10012	Std. MIP	3/4"	3/4" FIP Quick Release Screw Plug 356-22-07
H-10012	Std. MIP	1"	1" FIP Quick Release Screw Plug 356-22-05

Mueller

Corp		Outlet Size	B-Too Adapters
H-10013	Std. MIP	3/4"	3/4" FIP Quick Release Screw Plug 356-22-07
H-10013	Std. MIP	1"	1" FIP Quick Release Screw Plug 356-22-05
H-10013	Std. MIP	1 1/4"	1 1/4" FIP Quick Release Screw Plug 356-22-12
H-10045	AWWA Taper	3/4"	3/4" Drive Thread Quick Release Screw Plug 356-22-08
H-10045	AWWA Taper	1"	1" Drive Thread Quick Release Screw Plug 356-22-03
H-10046	Std. MIP	3/4"	3/4" Drive Thread Quick Release Screw Plug 356-22-08
H-10046	Std. MIP	1"	1" Drive Thread Quick Release Screw Plug 356-22-03
H-15000	AWWA Taper	3/4"	3/4" FC Quick Release Screw Plug 356-22-06
H-15000	AWWA Taper	1"	1" FC Quick Release Screw Plug 356-22-02
H-15000	AWWA Taper	1 1/4"	1 1/4" FC Quick Release Screw Plug 356-22-11
H-15002	AWWA Taper	3/4"	1" FC Quick Release Screw Plug 356-22-02
H-15002	AWWA Taper	1"	1 1/4" FC Quick Release Screw Plug 356-22-11
H-15005	AWWA Taper	3/4"	3/4" FC Quick Release Screw Plug 356-22-06
H-15005	AWWA Taper	1"	1" FC Quick Release Screw Plug 356-22-02
H-15006	AWWA Taper	3/4"	3/4" FC Quick Release Screw Plug 356-22-06
H-15006	AWWA Taper	1"	1" FC Quick Release Screw Plug 356-22-02
H-15008	AWWA Taper	3/4"	3/4" 110 Compression Connection 356-22-14
H-15008	AWWA Taper	1"	1" 110 Compression Connection 356-22-13
H-15009	AWWA Taper	3/4"	3/4" 110 Compression Connection 356-22-14
H-15009	AWWA Taper	1"	1" 110 Compression Connection 356-22-13
H-15010	AWWA Taper	3/4"	3/4" FC Quick Release Screw Plug 356-22-06
H-15010	AWWA Taper	1"	1" FC Quick Release Screw Plug 356-22-02
H-15020	AWWA Taper	3/4"	3/4" FC Quick Release Screw Plug 356-22-06
H-15020	AWWA Taper	1"	1" FC Quick Release Screw Plug 356-22-02
H-15024	Std. MIP	3/4"	3/4" FC Quick Release Screw Plug 356-22-06
H-15024	Std. MIP	1"	1" FC Quick Release Screw Plug 356-22-02
H-15025	Std. MIP	3/4"	3/4" FC Quick Release Screw Plug 356-22-06
H-15025	Std. MIP	1"	1" FC Quick Release Screw Plug 356-22-02
H-15025	Std. MIP	1 1/4"	1 1/4" FC Quick Release Screw Plug 356-22-11
H-15026	Std. MIP	3/4"	3/4" FC Quick Release Screw Plug 356-22-06
H-15026	Std. MIP	1"	1" FC Quick Release Screw Plug 356-22-02
H-15028	Std. MIP	3/4"	3/4" FC Quick Release Screw Plug 356-22-06
H-15028	Std. MIP	1"	1" FC Quick Release Screw Plug 356-22-02
H-15029	Std. MIP	3/4"	3/4" 110 Compression Connection 356-22-14
H-15029	Std. MIP	1"	1" 110 Compression Connection 356-22-13
H-15030	AWWA Taper	3/4"	3/4" FC Quick Release Screw Plug 356-22-06
H-15030	AWWA Taper	1"	1" FC Quick Release Screw Plug 356-22-02
H-15031	AWWA Taper	3/4"	3/4" FC Quick Release Screw Plug 356-22-06
H-15031	AWWA Taper	1"	1" FC Quick Release Screw Plug 356-22-02
H-15035	Std. MIP	3/4"	3/4" FC Quick Release Screw Plug 356-22-06
H-15035	Std. MIP	1"	1" FC Quick Release Screw Plug 356-22-02
H-15045	Std. MIP	3/4"	3/4" FC Quick Release Screw Plug 356-22-06
H-15045	Std. MIP	1"	1" FC Quick Release Screw Plug 356-22-02

P-15008	AWWA Taper	3/4"	3/4" FC Quick Release Screw Plug 356-22-06
P-15008	AWWA Taper	1"	1" FC Quick Release Screw Plug 356-22-02
P-15028	Std. MIP	3/4"	3/4" FC Quick Release Screw Plug 356-22-06
P-15028	Std. MIP	1"	1" FC Quick Release Screw Plug 356-22-02
P-25008	AWWA Taper	3/4"	3/4" FC Quick Release Screw Plug 356-22-06
P-25008	AWWA Taper	1"	1" FC Quick Release Screw Plug 356-22-02
P-25028	Std. MIP	3/4"	3/4" FC Quick Release Screw Plug 356-22-06
P-25028	Std. MIP	1"	1" FC Quick Release Screw Plug 356-22-02

V-25056	AWWA Taper	1"	1" FC Quick Release Screw Plug 356-22-02
V-25058	Std. MIP	1"	1" FC Quick Release Screw Plug 356-22-02

Red Hed			
Corp	Inlet Thread	Outlet Size	B-Too Adapters
RH 43801	AWWA Taper	3/4"	3/4" FC Quick Release Screw Plug 356-22-06
RH 43802	AWWA Taper	1"	1" FC Quick Release Screw Plug 356-22-02
RH 43803	AWWA Taper	1 1/4"	1 1/4" FC Quick Release Screw Plug 356-22-11
RH 43811	Std. MIP	3/4"	3/4" FC Quick Release Screw Plug 356-22-06
RH 43812	Std. MIP	1"	1" FC Quick Release Screw Plug 356-22-02
RH 43813	Std. MIP	1 1/4"	1 1/4" FC Quick Release Screw Plug 356-22-11
RH 43821	AWWA Taper	3/4"	3/4" FC Quick Release Screw Plug 356-22-06
RH 43822	AWWA Taper	1"	1" FC Quick Release Screw Plug 356-22-02
RH 43823	AWWA Taper	1 1/4"	1 1/4" FC Quick Release Screw Plug 356-22-11
RH 43831	Std. MIP	3/4"	3/4" FC Quick Release Screw Plug 356-22-06
RH 43832	Std. MIP	1"	1" FC Quick Release Screw Plug 356-22-02
RH 43833	Std. MIP	1 1/4"	1 1/4" FC Quick Release Screw Plug 356-22-11
RH 43841	AWWA Taper	3/4"	3/4" FIP Quick Release Screw Plug 356-22-07
RH 43842	AWWA Taper	1"	1" FIP Quick Release Screw Plug 356-22-05
RH 43851	Std. MIP	1 1/4"	3/4" FIP Quick Release Screw Plug 356-22-07
RH 43852	Std. MIP	1"	1" FIP Quick Release Screw Plug 356-22-05
RHB 43853	Std. MIP	1 1/4"	1 1/4" FIP Quick Release Screw Plug 356-22-12
RHB 43953	Std. MIP	1 1/4"	1 1/4" FIP Quick Release Screw Plug 356-22-12
RHSB 43821	AWWA Taper	3/4"	3/4" FC Quick Release Screw Plug 356-22-06
RHSB 43822	AWWA Taper	1"	1" FC Quick Release Screw Plug 356-22-02