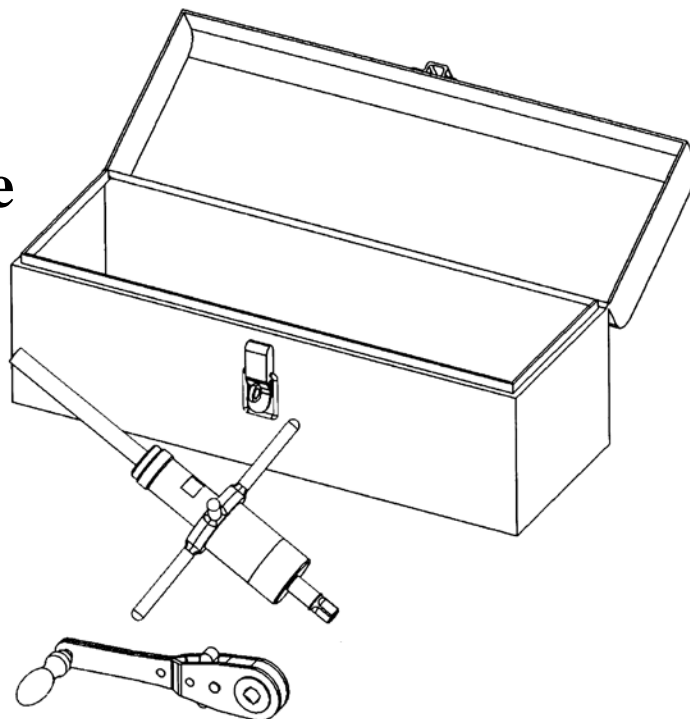
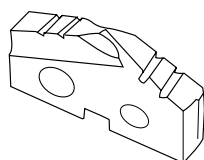


Thank you for your purchase of the 'M-1' Drilling and Tapping Machine. Please read and understand this short operation manual. Our goal is to serve you, our customer. If you have any questions, complaints or improvement suggestions please call us at 1-800-426-9341

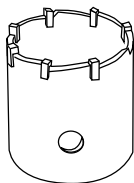
Transmate M-1™ Pipe Drilling Machine



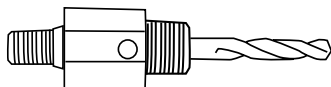
Bits, Holesaws and Adapters



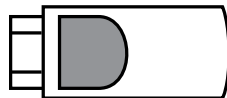
SPADE BIT: The spade bit provides a low cost alternative to the traditional twist drill bit. Spade bits are attached to the spade bit holder using the two Torx^a screws provided. Over tightening of these small screws will strip the heads. Spade bits are available in the 3/4" nominal (23/32" actual), and the 1" nominal (7/8" actual) sizes.



HOLESAWS: Four types of Holesaws are available. The Carbide Tipped holesaw is best for use on A/C, cast iron, or ductile iron pipe. The High Speed Steel holesaw is best for use with steel pipe, but may be used for ductile, cast iron and A/C as well. The HSS carbide tipped Holesaw works well on ductile iron, cast iron and A/C. The PVC holesaw is necessary for cutting into plastic pipe.



HOLESAW ARBORS: The arbor mates the end of the shaft to the holesaw being used. It accommodates 3/4" - 1" holesaws.



MACHINE ADAPTERS: Adapters are available for all 3/4" - 1" corp stops. See appendix A for listing of adapters. Special adapters can also be made at the factory. **Contact Transmate for additional information at 1-800-426-9341.**



Operating Instructions for the M1 Drilling Machine

- 1) Install the service saddle on the pipe at the desired location.
- 2) Thread the corporation stop into the saddle, open corporation stop.
- 3) Choose adapter to match corporations outlet threads and thread it onto the M1. (Appendix A lists corporations and matching adapters).
- 4) Attach the proper cutting tool, either the spade bit holder and spade bit, or the appropriate arbor and holesaw.

Drilling PVC pipe demands the use of the PVC Holesaws with no pilot drill. If you have chosen to use Holesaws, check that the pilot drill is locked into place. There is a set screw on the side of the arbor that bears onto the ground flat on the pilot drill. If the pilot drill is not locked, it may just spin and not cut the pilot hole. It is recommended that you do not use a Pilot Drill on plastic pipe.

- 5) Thread the M1 machine onto the corporation stop.
- 6) Set the boring shaft length as follows:
 - a. Unscrew the bronze cap.
 - b. Loosen the small hex head screw on the clamp with the 5/32" hex wrench provided.
 - c. Thread the handle back to the starting position, with the M1 feeder and body fully extended.
 - d. Push the shaft down until it touches the pipe.
 - e. Push the clamp down until it touches the top of the machine.
 - f. Tighten the clamp set screw, (CAUTION: Do not over tighten so that you strip out the set screw hex or the wrench.)
 - g. Tighten the bronze cap onto the machine and you're ready to drill.

7) DRILLING THE PIPE:

**THE RATCHET MUST ALWAYS TURN CLOCKWISE WHEN LOOKING TOWARD THE MAIN.
REVERSING THE DIRECTION WILL DAMAGE YOUR CUTTING TOOLS.**

- a. Using the Spade Bits: The spade bit will act like a standard drill bit. Turn the ratchet handle in the back a full 360 degrees if possible. You should try to apply force so as to continually move the spade bit into the pipe.
- b. Using the Holesaws and Arbors: The holesaws will not act like a standard drill bit and the feeding rate must be changed, as described below.
- c. Overfeeding the holesaws will break the teeth off and make the cut hard work.

Holesaw manufacturers advise that more than 25 ft-lbs. of torque is enough to damage the teeth of holesaws. A holesaw **SHOULD NOT BE FORCED INTO THE MAIN**. It needs to cut a path as it goes, unlike a standard drill bit which chisels its way through the pipe wall.

Feed the holesaw so the the ratchet is always easy to turn. If the ratchet catches, reverse the feed until the holesaw is freely turning. Proceed back into the cut, then back off the feed and go a little slower. At first, the feed may seem very slow to the operator and he may be wondering how long it will take to make the cut. Please do not be impatient! You will find that a fast cut can be obtained with very little effort if you feed the holesaws as recommended.

If possible, turn the ratchet a full 360 degrees with the holesaws. Start out feeding very slowly and get

used to the cutting action of a holesaw on the pipe. As a general rule, you will feed about 1/8th of a turn on the feed nut for every two revolutions of the shaft.

DRILLING PLASTIC PIPE:

The composition and construction of plastic pipe requires the use of additional tapping techniques. Unibell, the plastic pipe manufacturers association recommends a shell cutter with at least two flutes for tapping PVC pipe. For this reason, we advise you to use the PVC holesaws when tapping into plastic. Also to avoid point loading on the plastic pipe it is recommended that you do not use the pilot drill with the holesaw.

Tapping plastic pipe uses basically the same techniques as any other tap. In addition, these instructions from the Unibell Handbook of PVC Pipe Design and Construction should be followed.

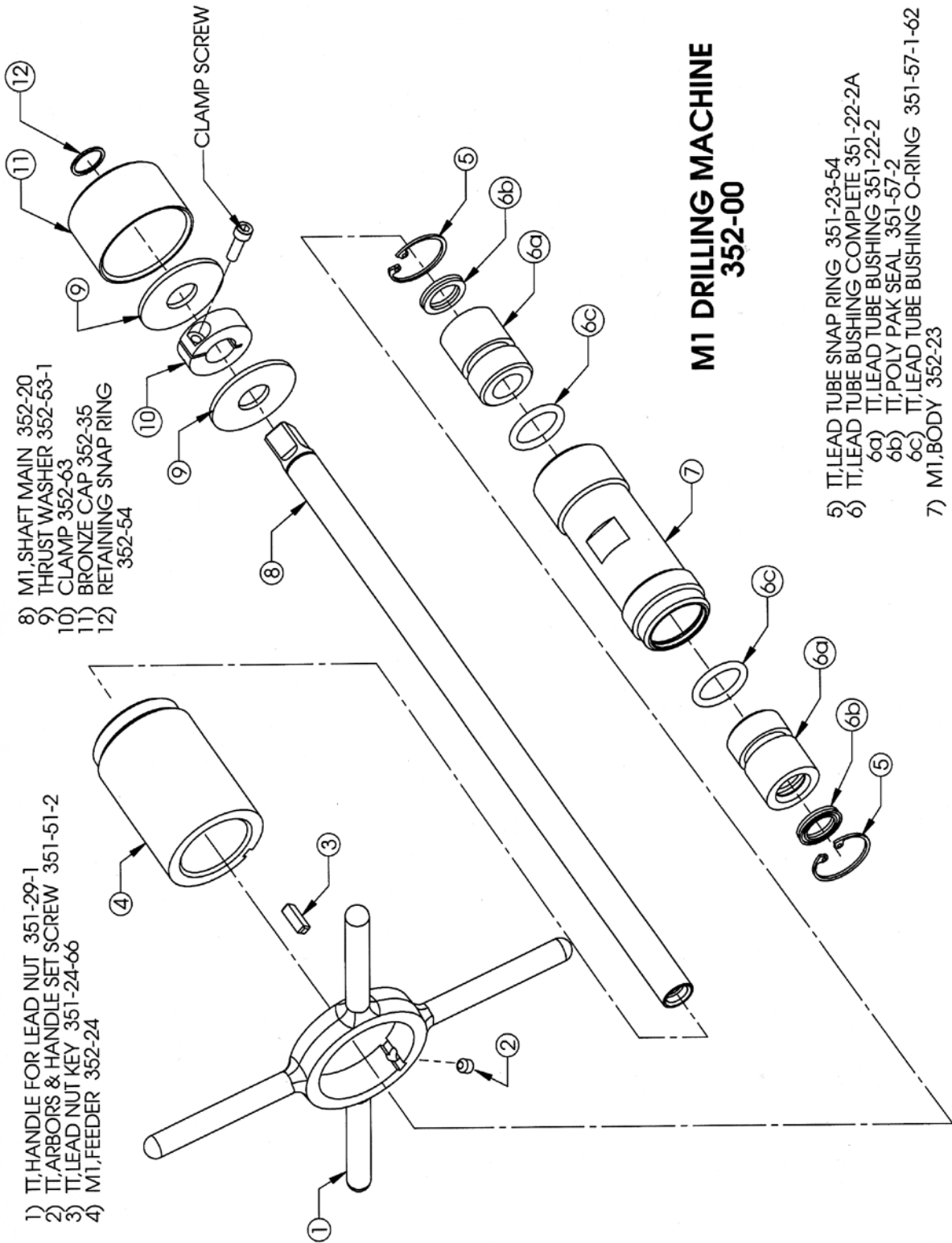
- When drilling or tapping any pressurized pipe, basic safety precautions are advised to assure personal safety to the workmen in the event of a sudden and unexpected pipe failure. Although such failures are extremely infrequent, nevertheless, the following precautions are recommended:
- A second workman or supervisor should be present in the immediate vicinity.
- In addition to normal protective clothing, goggles or face shields should be worn.
- Ladders should be provided for quick exit availability.
- A heavy protective blanket with a hole in the center to permit installation and operation of the tapping and drilling machine should be provided to cover the exposed area of the pipe.

8) Once the hole is drilled, thread the feed handle back to the starting position, unscrew the bronze cap and pull the shaft back until it stops.

9) Close the corporation stop and remove the machine.

10) CLEANING AND STORAGE:

- a. The M1 Drilling Machine™ should be cleaned after each use. Clean the threads of the M1 Body if necessary. Spray the Body with Tri Flow lubricant.
- b. Examine the cutting tool, if it is dull then replace it before the next cut.
- c. We advise the machine be stored in the tool box provided.



- 8) M1, SHAFT MAIN 352-20
- 9) THRUST WASHER 352-53-1
- 10) CLAMP 352-63
- 11) BRONZE CAP 352-35
- 12) RETAINING SNAP RING 352-54

- 1) TT, HANDLE FOR LEAD NUT 351-29-1
- 2) TT, ARBORS & HANDLE SET SCREW 351-51-2
- 3) TT, LEAD NUT KEY 351-24-66
- 4) M1, FEEDER 352-24

- 5) TT, LEAD TUBE SNAP RING 351-23-54
- 6) TT, LEAD TUBE BUSHING COMPLETE 351-22-2A
 - 6a) TT, LEAD TUBE BUSHING 351-22-2
 - 6b) TT, POLY PAK SEAL 351-57-2
 - 6c) TT, LEAD TUBE BUSHING O-RING 351-57-1-62
- 7) M1, BODY 352-23

A. Y. McDonald

Corp	Outlet Size	M-1
3120	3/4"	3/4" FIP Adapter 351-05-406
3120	1"	1" FIP Adapter 351-05-408
3121	3/4"	3/4" FIP Adapter 351-05-406
3121	1"	1" FIP Adapter 351-05-408
3121B	1"	1" FIP Adapter 351-05-408
3122	3/4"	3/4" FIP Adapter 351-05-406
3122	1"	1" FIP Adapter 351-05-408
3122B	1"	1" FIP Adapter 351-05-408
3128	3/4"	3/4" FIP Adapter 351-05-406
3128	1"	1" FIP Adapter 351-05-408
3128B	3/4"	3/4" FIP Adapter 351-05-406
3128B	1"	1" FIP Adapter 351-05-408
3131	3/4"	3/4" FIP Adapter 351-05-406
3131	1"	1" FIP Adapter 351-05-408
3131B	3/4"	3/4" FIP Adapter 351-05-406
3131B	1"	1" FIP Adapter 351-05-408
3148B	3/4"	3/4" MIP Adapter 351-05-606
3148B	1"	1" MIP Adapter 351-05-608
3149B	3/4"	3/4" MIP Adapter 351-05-606
3149B	1"	1" MIP Adapter 351-05-608
3152	3/4"	3/4" FIP Adapter 351-05-406
3152	1"	1" FIP Adapter 351-05-408
4701-22	3/4"	3/4" FC Adapter 351-05-506
4701-22	1"	1" FC Adapter 351-05-508
4701-33	3/4"	1" FC Adapter 351-05-508
4701-33	1"	1 1/4" FC Adapter 351-05-510
4701-3Q	3/4"	3/4" FC Adapter 351-05-506
4701-3Q	1"	1" FC Adapter 351-05-508
4701-3T	3/4"	1" FC Adapter 351-05-508
4701-3T	1"	1 1/4" FC Adapter 351-05-510
4701-44	3/4"	1" FC Adapter 351-05-508
4701-44	1"	1 1/4" FC Adapter 351-05-510
4701-55	3/4"	1" FC Adapter 351-05-508
4701-55	1"	1 1/4" FC Adapter 351-05-510
4701B-22	3/4"	3/4" FC Adapter 351-05-506
4701B-22	1"	1" FC Adapter 351-05-508
4701B-33	3/4"	1" FC Adapter 351-05-508
4701B-33	1"	1 1/4" FC Adapter 351-05-510
4701B-3Q	3/4"	3/4" FC Adapter 351-05-506
4701B-3Q	1"	1" FC Adapter 351-05-508
4701B-3T	3/4"	1" FC Adapter 351-05-508
4701B-3T	1"	1 1/4" FC Adapter 351-05-510
4701B-44	3/4"	1" FC Adapter 351-05-508
4701B-44	1"	1 1/4" FC Adapter 351-05-510
4701B-55	3/4"	1" FC Adapter 351-05-508
4701B-55	1"	1 1/4" FC Adapter 351-05-510
4101BCAP-22	3/4"	3/4" FC Adapter 351-05-506
4101BCAP-22	1"	1" FC Adapter 351-05-508
4101BCAP-33	3/4"	1" FC Adapter 351-05-508
4101BCAP-33	1"	1 1/4" FC Adapter 351-05-510
4101BCAP-3Q	3/4"	3/4" FC Adapter 351-05-506
4101BCAP-3Q	1"	1" FC Adapter 351-05-508
4101BCAP-44	3/4"	1" FC Adapter 351-05-508
4101BCAP-44	1"	1 1/4" FC Adapter 351-05-510
4101BCAPF	3/4"	3/4" MIP Adapter 351-05-606
4101BCAPF	1"	1" MIP Adapter 351-05-608

A. Y. McDonald

Corp	Outlet Size	M-1
4101BCAPP	3/4"	3/4" FIP Adapter 351-05-406
4101BCAPP	1"	1" FIP Adapter 351-05-408
4101BCAPQ	3/4"	3/4" FC Adapter 351-05-506
4101BCAPQ	1"	1" FC Adapter 351-05-508
4101BCAPT	3/4"	3/4" FC Adapter 351-05-506
4101BCAPT	1"	1" FC Adapter 351-05-508
4101BP	1"	1" FIP Adapter 351-05-408
4701BQ	3/4"	3/4" FC Adapter 351-05-506
4701BQ	1"	1" FC Adapter 351-05-508
4701BT	3/4"	3/4" FC Adapter 351-05-506
4701BT	1"	1" FC Adapter 351-05-508
4701Q	3/4"	3/4" FC Adapter 351-05-506
4701Q	1"	1" FC Adapter 351-05-508
4701T	3/4"	3/4" FC Adapter 351-05-506
4701T	1"	1" FC Adapter 351-05-508
4704-22	3/4"	3/4" FC Adapter 351-05-506
4704-22	1"	1" FC Adapter 351-05-508
4704-33	3/4"	1" FC Adapter 351-05-508
4704-33	1"	1 1/4" FC Adapter 351-05-510
4704-44	3/4"	1" FC Adapter 351-05-508
4704-44	1"	1 1/4" FC Adapter 351-05-510
4704-55	3/4"	1" FC Adapter 351-05-508
4704-55	1"	1 1/4" FC Adapter 351-05-510
4704-3Q	3/4"	3/4" FC Adapter 351-05-506
4704-3Q	1"	1" FC Adapter 351-05-508
4704-3T	3/4"	1" FC Adapter 351-05-508
4704-3T	1"	1 1/4" FC Adapter 351-05-510
4704B-22	3/4"	3/4" FC Adapter 351-05-506
4704B-22	1"	1" FC Adapter 351-05-508
4704B-33	3/4"	1" FC Adapter 351-05-508
4704B-33	1"	1 1/4" FC Adapter 351-05-510
4704B-44	3/4"	1" FC Adapter 351-05-508
4704B-44	1"	1 1/4" FC Adapter 351-05-510
4704B-55	3/4"	1" FC Adapter 351-05-508
4704B-55	1"	1 1/4" FC Adapter 351-05-510
4704B-3Q	3/4"	3/4" FC Adapter 351-05-506
4704B-3Q	1"	1" FC Adapter 351-05-508
4704B-3T	3/4"	1" FC Adapter 351-05-508
4704B-3T	1"	1 1/4" FC Adapter 351-05-510
4104BCAP-22	3/4"	3/4" FC Adapter 351-05-506
4104BCAP-22	1"	1" FC Adapter 351-05-508
4104BCAP-33	3/4"	1" FC Adapter 351-05-508
4104BCAP-33	1"	1 1/4" FC Adapter 351-05-510
4104BCAP-3Q	3/4"	3/4" FC Adapter 351-05-506
4104BCAP-3Q	1"	1" FC Adapter 351-05-508
4104BCAP-44	3/4"	1" FC Adapter 351-05-508
4104BCAPF	3/4"	3/4" MIP Adapter 351-05-606
4104BCAPF	1"	1" MIP Adapter 351-05-608
4104BCAPP	3/4"	3/4" FIP Adapter 351-05-406
4104BCAPP	1"	1" FIP Adapter 351-05-408
4704BQ	3/4"	3/4" FC Adapter 351-05-506
4704BQ	1"	1" FC Adapter 351-05-508
4704BT	3/4"	3/4" FC Adapter 351-05-506
4704BT	1"	1" FC Adapter 351-05-508
4104BP	1"	1" FIP Adapter 351-05-408

A. Y. McDonald

Corp	Outlet Size	M-1
4704Q	3/4"	3/4" FC Adapter 351-05-506
4704Q	1"	1" FC Adapter 351-05-508

Rev 07-05-2010

Cambridge

Corp	Outlet Size	M-1
4704T	3/4"	3/4" FC Adapter 351-05-506
4704T	1"	1" FC Adapter 351-05-508
301-A3B3	3/4"	3/4" FC Adapter 351-05-506
301-A3C3	3/4"	3/4" FC Adapter 351-05-506
301-A3CE3	3/4"	3/4" FC Adapter 351-05-506
301-A3F3	3/4"	3/4" MIP Adapter 351-05-606
301-A3GJ3	3/4"	3/4" FC Adapter 351-05-506
301-A3H3	3/4"	3/4" FC Adapter 351-05-506
301-A3H4	1"	1" FC Adapter 351-05-508
301-A3HE3	3/4"	3/4" FC Adapter 351-05-506
301-A3J3	3/4"	3/4" FC Adapter 351-05-506
301-A3K3	3/4"	3/4" FC Adapter 351-05-506
301-A3PV3	3/4"	3/4" FC Adapter 351-05-506
301-A3Z3	3/4"	3/4" FC Adapter 351-05-506
301-A4B4	1"	1" FC Adapter 351-05-508
301-A4C4	1"	1" FC Adapter 351-05-508
301-A4CE4	1"	1" FC Adapter 351-05-508
301-A4F4	1"	1" MIP Adapter 351-05-608
301-A4GJ4	1"	1" FC Adapter 351-05-508
301-A4HE4	1"	1" FC Adapter 351-05-508
301-A4J4	1"	1" FC Adapter 351-05-508
301-A4K4	1"	1" FC Adapter 351-05-508
301-A4M4	1"	1" FIP Adapter 351-05-408
301-A4PV4	1"	1" FC Adapter 351-05-508
301-A4Z4	1"	1" FC Adapter 351-05-508
301-M3B3	3/4"	3/4" FC Adapter 351-05-506
301-M3C3	3/4"	3/4" FC Adapter 351-05-506
301-M3F3	3/4"	3/4" FIP Adapter 351-05-406
301-M3GJ3	3/4"	3/4" FC Adapter 351-05-506
301-M3H3	3/4"	3/4" FC Adapter 351-05-506
301-M3J3	3/4"	3/4" FC Adapter 351-05-506
301-M3K3	3/4"	3/4" FC Adapter 351-05-506
301-M3PV3	3/4"	3/4" FC Adapter 351-05-506
301-M3Z3	3/4"	3/4" FC Adapter 351-05-506
301-M4B4	1"	1" FC Adapter 351-05-508
301-M4C4	1"	1" FC Adapter 351-05-508
301-M4F4	1"	1" MIP Adapter 351-05-608
301-M4GJ4	1"	1" FC Adapter 351-05-508
301-M4H4	1"	1" FC Adapter 351-05-508
301-M4J4	1"	1" FC Adapter 351-05-508
301-M4K4	1"	1" FC Adapter 351-05-508
301-M4M4	1"	1" FIP Adapter 351-05-408
301-M4PV4	1"	1" FC Adapter 351-05-508
301-M4Z4	1"	1" FC Adapter 351-05-508

Rev 07-05-2010

Cambridge

Corp	Outlet Size	M-1
302-A3B3	3/4"	3/4" FC Adapter 351-05-506
302-A3B4	1"	1" FC Adapter 351-05-508
302-A3C3	3/4"	3/4" FC Adapter 351-05-506
302-A3CE3	3/4"	3/4" FC Adapter 351-05-506
302-A3F3	3/4"	3/4" MIP Adapter 351-05-606
302-A3GJ3	3/4"	3/4" FC Adapter 351-05-506
302-A3GJ4	1"	1" FC Adapter 351-05-508
302-A3H3	3/4"	3/4" FC Adapter 351-05-506
302-A3H3I	3/4"	3/4" FC Adapter 351-05-506
302-A3H4	1"	1" FC Adapter 351-05-508
302-A3HE3	3/4"	3/4" FC Adapter 351-05-506
302-A3J3	3/4"	3/4" FC Adapter 351-05-506
302-A3J4	1"	1" FC Adapter 351-05-508
302-A3K3	3/4"	3/4" FC Adapter 351-05-506
302-A3M3	3/4"	3/4" FIP Adapter 351-05-406
302-A3PV3	3/4"	3/4" FC Adapter 351-05-506
302-A3PV4	1"	1" FC Adapter 351-05-508
302-A3Z3	3/4"	3/4" FC Adapter 351-05-506
302-A3Z4	1"	1" FC Adapter 351-05-508
302-A4B4	1"	1" FC Adapter 351-05-508
302-A4C4	1"	1" FC Adapter 351-05-508
302-A4CE4	1"	1" FC Adapter 351-05-508
302-A4F4	1"	1" MIP Adapter 351-05-608
302-A4GJ4	1"	1" FC Adapter 351-05-508
302-A4H4	1"	1" FC Adapter 351-05-508
302-A4HAI	1"	1" FC Adapter 351-05-508
302-A4HE4	1"	1" FC Adapter 351-05-508
302-A4J4	1"	1" FC Adapter 351-05-508
302-A4K4	1"	1" FC Adapter 351-05-508
302-A4M4	1"	1" FIP Adapter 351-05-408
302-A4Z4	1"	1" FC Adapter 351-05-508
302-M3B3	3/4"	3/4" FC Adapter 351-05-506
302-M3B4	1"	1" FC Adapter 351-05-508
302-M3GJ3	3/4"	3/4" FC Adapter 351-05-506
302-M3GJ4	1"	1" FC Adapter 351-05-508
302-M3H3	3/4"	3/4" MIP Adapter 351-05-606
302-M3H4	1"	1" MIP Adapter 351-05-608
302-M4B4	1"	1" FC Adapter 351-05-508
302-M4GJ4	1"	1" FC Adapter 351-05-508
302-M4H4	1"	1" MIP Adapter 351-05-608

Rev 07-05-2010

Cambridge

Corp	Outlet Size	M-1
311-A3C3	3/4"	3/4" FC Adapter 351-05-506
311-A3F3	3/4"	3/4" MIP Adapter 351-05-606
311-A3H3	3/4"	3/4" FC Adapter 351-05-506
311-A3J3	3/4"	3/4" FC Adapter 351-05-506
311-A3PV3	3/4"	3/4" FC Adapter 351-05-506
311-A3Z3	3/4"	3/4" FC Adapter 351-05-506
311-A4B4	1"	1" FC Adapter 351-05-508
311-A4C4	1"	1" FC Adapter 351-05-508
311-A4F4	1"	1" MIP Adapter 351-05-608
311-A4H4	1"	1" FC Adapter 351-05-508
311-A4J4	1"	1" FC Adapter 351-05-508
311-A4M4	1"	1" FIP Adapter 351-05-408
311-A4PV4	1"	1" FC Adapter 351-05-508
311-A4Z4	1"	1" FC Adapter 351-05-508
311-M3B3	3/4"	3/4" FC Adapter 351-05-506
311-M3C3	3/4"	3/4" FC Adapter 351-05-506
311-M3F3	3/4"	3/4" MIP Adapter 351-05-606
311-M3H3	3/4"	3/4" FC Adapter 351-05-506
311-M3J3	3/4"	3/4" FC Adapter 351-05-506
311-M3PV3	3/4"	3/4" FC Adapter 351-05-506
311-M3Z3	3/4"	3/4" FC Adapter 351-05-506
311-M4B4	1"	1" FC Adapter 351-05-508
311-M4C4	1"	1" FC Adapter 351-05-508
311-M4F4	1"	1" MIP Adapter 351-05-608
311-M4H4	1"	1" FC Adapter 351-05-508
311-M4J4	1"	1" FC Adapter 351-05-508
311-M4J4	1"	1" FC Adapter 351-05-508
311-M4M4	1"	1" FIP Adapter 351-05-408
311-M4PV4	1"	1" FC Adapter 351-05-508
311-M4Z4	1"	1" FC Adapter 351-05-508

Rev 07-05-2010

Ford

Corp	Outlet Size	M-1
F400-13	3/4"	3/4" FIP Adapter 351-05-406
F400-3	3/4"	3/4" FIP Adapter 351-05-406
F400-34	1"	1" FIP Adapter 351-05-408
F400-4	1"	1" FIP Adapter 351-05-408
F500-1	3/4"	3/4" FIP Adapter 351-05-406
F500-13	3/4"	3/4" FIP Adapter 351-05-406
F500-3	3/4"	3/4" FIP Adapter 351-05-406
F500-4	1"	1" FIP Adapter 351-05-408
F600-23	3/4"	3/4" FC Adapter 351-05-506
F600-3	3/4"	3/4" FC Adapter 351-05-506
F600-34	1"	1" FC Adapter 351-05-508
F600-4	1"	1" FC Adapter 351-05-508
F700-3	3/4"	3/4" FC Adapter 351-05-506
F700-34	1"	1" FC Adapter 351-05-508
F700-4	1"	1" FC Adapter 351-05-508
F800-1	3/4"	3/4" FIP Adapter 351-05-406
F800-2	3/4"	3/4" FIP Adapter 351-05-406
F800-3	1"	1" FIP Adapter 351-05-408
F800-4	1 1/4"	1 1/4" FIP Adapter 351-05-410
F900-1	3/4"	3/4" FIP Adapter 351-05-406
F900-3	3/4"	3/4" FC Adapter 351-05-506
F1000-23	3/4"	3/4" FC Adapter 351-05-506
F1000-3	3/4"	3/4" FC Adapter 351-05-506
F1000-34	1"	1" FC Adapter 351-05-508
F1000-3-Q	3/4"	3/4" FC Adapter 351-05-506
F1000-4	1"	1" FC Adapter 351-05-508
F1000-4-Q	1"	1" FC Adapter 351-05-508
F1001-3	1"	1" FC Adapter 351-05-508
F1001-3-Q	3/4"	3/4" 110 Compression Connection 351-05-706
F1001-4-Q	1"	1" 110 Compression Connection 351-05-708
F1002-3	1"	1" FC Adapter 351-05-508
F1100-3	3/4"	3/4" FC Adapter 351-05-506
F1100-34	1"	1" FC Adapter 351-05-508
F1100-3-Q	3/4"	3/4" FC Adapter 351-05-506
F1100-4	1"	1" FC Adapter 351-05-508
F1101-3	1"	1" FC Adapter 351-05-508
F1101-3-Q	3/4"	3/4" 110 Compression Connection 351-05-706
F1102-3	1"	1" FC Adapter 351-05-508
F1600-3	3/4"	3/4" MIP Adapter 351-05-606
F1600-4	1"	1" MIP Adapter 351-05-608
F1700-3	3/4"	3/4" MIP Adapter 351-05-606
F1700-4	1"	1" MIP Adapter 351-05-608

Rev 07-05-2010

Ford

Corp	Outlet Size	M-1
FB400-3	3/4"	3/4" FIP Adapter 351-05-406
FB400-4	1"	1" FIP Adapter 351-05-408
FB500-3	3/4"	3/4" FIP Adapter 351-05-406
FB500-4	1"	1" FIP Adapter 351-05-408
FB600-3	3/4"	3/4" FC Adapter 351-05-506
FB600-34	1"	1" FC Adapter 351-05-508
FB600-4	1"	1" FC Adapter 351-05-508
FB700-3	3/4"	3/4" FC Adapter 351-05-506
FB700-34	1"	1" FC Adapter 351-05-508
FB700-4	1"	1" FC Adapter 351-05-508
FB800-3	1"	1" FIP Adapter 351-05-408
FB900-3	1"	1" FIP Adapter 351-05-408
FB1000-3	3/4"	3/4" FC Adapter 351-05-506
FB1000-34	1"	1" FC Adapter 351-05-508
FB1000-3-Q	3/4"	3/4" FC Adapter 351-05-506
FB1000-4	1"	1" FC Adapter 351-05-508
FB1000-4-Q	1"	1" FC Adapter 351-05-508
FB1001-4	1"	1" FC Adapter 351-05-508
FB1001-4-Q	1"	1" 110 Compression Connection 351-05-708
FB1002-3	1"	1" FC Adapter 351-05-508
FB1100-3	3/4"	3/4" FC Adapter 351-05-506
FB1100-4	1"	1" FC Adapter 351-05-508
FB1100-4-Q	1"	1" 110 Compression Connection 351-05-708
FB1101-3	1"	1" FC Adapter 351-05-508
FB1102-4	1"	1" FC Adapter 351-05-508
FB1600-4	1"	1" MIP Adapter 351-05-608
FB1700-3	3/4"	3/4" MIP Adapter 351-05-606
FB1700-4	1"	1" MIP Adapter 351-05-608

Rev 07-05-2010

Jones

Corp	Outlet Size	M-1
J-41	3/4"	3/4" MIP Adapter 351-05-606
J-41	1"	1" MIP Adapter 351-05-608
J-45	3/4"	3/4" MIP Adapter 351-05-606
J-45	1"	1" MIP Adapter 351-05-608
J-50	3/4"	3/4" FIP Adapter 351-05-406
J-50	1"	1" FIP Adapter 351-05-408
J-51	3/4"	3/4" FIP Adapter 351-05-406
J-51	1"	1" FIP Adapter 351-05-408
J-89	3/4"	3/4" FIP Adapter 351-05-406
J-89	1"	1" FIP Adapter 351-05-408
J-1500	3/4"	3/4" FC Adapter 351-05-506
J-1500	1"	1" FC Adapter 351-05-508
J-1505	3/4"	3/4" FC Adapter 351-05-506
J-1505	1"	1" FC Adapter 351-05-508
J-1929	3/4"	3/4" FC Adapter 351-05-506
J-1929	1"	1" FC Adapter 351-05-508
J-1930	3/4"	3/4" FC Adapter 351-05-506
J-1930	1"	1" FC Adapter 351-05-508
J-1931	3/4"	3/4" FIP Adapter 351-05-406
J-1931	1"	1" FIP Adapter 351-05-408
J-1932	3/4"	3/4" FIP Adapter 351-05-406
J-1932	1"	1" FIP Adapter 351-05-408
J-1935	3/4"	3/4" FC Adapter 351-05-506
J-1935	1"	1" FC Adapter 351-05-508
J-1936	3/4"	3/4" MIP Adapter 351-05-606
J-1936	1"	1" MIP Adapter 351-05-608
J-1937	3/4"	3/4" FC Adapter 351-05-506
J-1937	1"	1" FC Adapter 351-05-508
J-1943	3/4"	3/4" MIP Adapter 351-05-606
J-1943	1"	1" MIP Adapter 351-05-608
J-1944	3/4"	3/4" MIP Adapter 351-05-606
J-1944	1"	1" MIP Adapter 351-05-608
J-1993	1"	1" MIP Adapter 351-05-608
J-3401	3/4"	3/4" FC Adapter 351-05-506
J-3401	1"	1" FC Adapter 351-05-508
J-3402	3/4"	3/4" FC Adapter 351-05-506
J-3402	1"	1" FC Adapter 351-05-508
J-3403	3/4"	3/4" FC Adapter 351-05-506
J-3403	1"	1" FC Adapter 351-05-508
J-3404	3/4"	3/4" FC Adapter 351-05-506
J-3404	1"	1" FC Adapter 351-05-508

Rev 07-05-2010

Mueller

Corp	Outlet Size	M-1
B-20003	3/4"	3/4" FIP Adapter 351-05-406
B-20003	1"	1" FIP Adapter 351-05-408
B-20013	3/4"	3/4" FIP Adapter 351-05-406
B-20013	1"	1" FIP Adapter 351-05-408
B-20045	3/4"	3/4" FIP Adapter 351-05-406
B-20045	1"	1" FIP Adapter 351-05-408
B-20046	3/4"	3/4" FIP Adapter 351-05-406
B-20046	1"	1" FIP Adapter 351-05-408
B-25000	3/4"	3/4" FC Adapter 351-05-506
B-25000	1"	1" FC Adapter 351-05-508
B-25005	3/4"	3/4" FC Adapter 351-05-506
B-25005	1"	1" FC Adapter 351-05-508
B-25006	3/4"	3/4" FC Adapter 351-05-506
B-25006	1"	1" FC Adapter 351-05-508
B-25008	3/4"	3/4" 110 Compression Connection 351-05-706
B-25008	1"	1" 110 Compression Connection 351-05-708
B-25009	3/4"	3/4" FC Adapter 351-05-506
B-25009	1"	1" FC Adapter 351-05-508
B-25020	3/4"	3/4" FC Adapter 351-05-506
B-25020	1"	1" FC Adapter 351-05-508
B-25024	3/4"	3/4" FC Adapter 351-05-506
B-25024	1"	1" FC Adapter 351-05-508
B-25025	3/4"	3/4" FC Adapter 351-05-506
B-25025	1"	1" FC Adapter 351-05-508
B-25026	3/4"	3/4" FC Adapter 351-05-506
B-25026	1"	1" FC Adapter 351-05-508
B-25028	3/4"	3/4" FC Adapter 351-05-506
B-25028	1"	1" FC Adapter 351-05-508
B-25029	3/4"	3/4" 110 Compression Connection 351-05-706
B-25029	1"	1" 110 Compression Connection 351-05-708
B-2969	3/4"	1 1/2" FIP Adapter 351-05-412
B-2969	1"	2" FIP Adapter 351-05-416
B-2996	3/4"	3/4" FIP Adapter 351-05-406
B-2996	1"	1" FIP Adapter 351-05-408

E-25009	3/4"	3/4" FC Adapter 351-05-506
E-25009	1"	1" FC Adapter 351-05-508
E-25029	1"	1" FC Adapter 351-05-508

Rev 07-05-2010

Mueller

Corp	Outlet Size	M-1
H-9969	2"	2" FIP Adapter 351-05-416
H-9971	3/4"	3/4" FC Adapter 351-05-506
H-9971	1"	1" Special Adapter 351-05-H9995
H-9976	3/4"	3/4" FC Adapter 351-05-506
H-9976	1"	1" Special Adapter 351-05-H9995
H-9979	5/8"	3/4" FIP Adapter 351-05-406
H-9979	3/4"	1" FIP Adapter 351-05-408
H-9991	1"	1" Special Adapter 351-05-H9995
H-9995	1"	1" Special Adapter 351-05-H9995
H-9996	3/4"	3/4" FIP Adapter 351-05-406
H-9996	1"	1" FIP Adapter 351-05-408
H-10003	5/8"	3/4" FIP Adapter 351-05-406
H-10003	3/4"	1" FIP Adapter 351-05-408
H-10012	3/4"	3/4" FIP Adapter 351-05-406
H-10012	1"	1" FIP Adapter 351-05-408
H-10013	3/4"	3/4" FIP Adapter 351-05-406
H-10013	1"	1" FIP Adapter 351-05-408
H-10045	3/4"	3/4" MIP Adapter 351-05-606
H-10045	1"	1" MIP Adapter 351-05-608
H-10046	3/4"	3/4" MIP Adapter 351-05-606
H-10046	1"	1" MIP Adapter 351-05-608
H-15000	3/4"	3/4" FC Adapter 351-05-506
H-15000	1"	1" FC Adapter 351-05-508
H-15002	3/4"	1" FC Adapter 351-05-508
H-15002	1"	1 1/4" FC Adapter 351-05-510
H-15005	3/4"	3/4" FC Adapter 351-05-506
H-15005	1"	1" FC Adapter 351-05-508
H-15006	3/4"	3/4" FC Adapter 351-05-506
H-15006	1"	1" FC Adapter 351-05-508
H-15008	3/4"	3/4" 110 Compression Connection 351-05-706
H-15008	1"	1" 110 Compression Connection 351-05-708
H-15009	3/4"	3/4" 110 Compression Connection 351-05-706
H-15009	1"	1" 110 Compression Connection 351-05-708
H-15010	3/4"	3/4" FC Adapter 351-05-506
H-15010	1 1/2"	1" FC Adapter 351-05-508
H-15020	3/4"	3/4" FC Adapter 351-05-506
H-15020	1"	1" FC Adapter 351-05-508
H-15024	3/4"	3/4" FC Adapter 351-05-506
H-15024	1"	1" FC Adapter 351-05-508
H-15025	3/4"	3/4" FC Adapter 351-05-506
H-15025	1"	1" FC Adapter 351-05-508
H-15026	3/4"	3/4" FC Adapter 351-05-506
H-15026	1"	1" FC Adapter 351-05-508
H-15027	3/4"	1 Size larger than the copper tubing to be flared
H-15028	3/4"	3/4" 110 Compression Connection 351-05-706
H-15028	1"	1" 110 Compression Connection 351-05-708
H-15029	3/4"	3/4" 110 Compression Connection 351-05-706
H-15029	1"	1" 110 Compression Connection 351-05-708
H-15030	3/4"	3/4" 110 Compression Connection 351-05-706
H-15030	1"	1" 110 Compression Connection 351-05-708
H-15031	3/4"	3/4" 110 Compression Connection 351-05-706
H-15031	1"	1" 110 Compression Connection 351-05-708

Mueller

Corp	Outlet Size	M-1
H-15035	3/4"	3/4" FC Adapter 351-05-506
H-15035	1"	1" FC Adapter 351-05-508
H-15045	3/4"	3/4" FC Adapter 351-05-506
H-15045	1"	1" FC Adapter 351-05-508
P-15008	3/4"	3/4" FC Adapter 351-05-506
P-15008	1"	1" FC Adapter 351-05-508
P-25008	3/4"	3/4" FC Adapter 351-05-506
P-25008	1"	1" FC Adapter 351-05-508
P-25028	3/4"	3/4" FC Adapter 351-05-506
P-25028	1"	1" FC Adapter 351-05-508
V-25056	1"	1" FC Adapter 351-05-508
V-25058	1"	1" FC Adapter 351-05-508
B-20045	1"	1" FIP Adapter 351-05-408
B-20046	3/4"	3/4" FIP Adapter 351-05-406
B-20046	1"	1" FIP Adapter 351-05-408
B-25000	3/4"	3/4" FC Adapter 351-05-506
B-25000	1"	1" FC Adapter 351-05-508
B-25005	3/4"	3/4" FC Adapter 351-05-506
B-25005	1"	1" FC Adapter 351-05-508
B-25006	3/4"	3/4" FC Adapter 351-05-506
B-25006	1"	1" FC Adapter 351-05-508
B-25008	3/4"	3/4" FC Adapter 351-05-506
B-25008	1"	1" FC Adapter 351-05-508
B-25009	3/4"	3/4" 110 Compression Connection 351-05-706
B-25009	1"	1" 110 Compression Connection 351-05-708
B-25020	3/4"	3/4" FC Adapter 351-05-506
B-25020	1"	1" FC Adapter 351-05-508
B-25024	3/4"	3/4" FC Adapter 351-05-506
B-25024	1"	1" FC Adapter 351-05-508
B-25025	3/4"	3/4" FC Adapter 351-05-506
B-25025	1"	1" FC Adapter 351-05-508
B-25026	3/4"	3/4" FC Adapter 351-05-506
B-25026	1"	1" FC Adapter 351-05-508
B-25028	3/4"	3/4" FC Adapter 351-05-506
B-25028	1"	1" FC Adapter 351-05-508
B-25029	3/4"	3/4" 110 Compression Connection 351-05-706
B-25029	1"	1" 110 Compression Connection 351-05-708

E-25009	3/4"	3/4" FC Adapter 351-05-506
E-25009	1"	1" FC Adapter 351-05-508
E-25029	1"	1" FC Adapter 351-05-508

Rev 07-05-2010

Red Hed

Corp	Outlet Size	M-1
RH 43801	3/4"	3/4" FC Adapter 351-05-506
RH 43802	1"	1" FC Adapter 351-05-508
RH 43811	3/4"	3/4" FC Adapter 351-05-506
RH 43812	1"	1" FC Adapter 351-05-508
RH 43821	3/4"	3/4" FC Adapter 351-05-506
RH 43822	1"	1" FC Adapter 351-05-508
RH 43831	3/4"	3/4" FC Adapter 351-05-506
RH 43832	1"	1" FC Adapter 351-05-508
RH 43841	3/4"	3/4" FIP Adapter 351-05-406
RH 43842	1"	1" FIP Adapter 351-05-408
RH 43851	3/4"	3/4" FIP Adapter 351-05-406
RH 43852	1"	1" FIP Adapter 351-05-408

RHSB 43821	3/4"	3/4" FC Adapter 351-05-506
RHSB 43822	1"	1" FC Adapter 351-05-508

Rev 07-05-2010