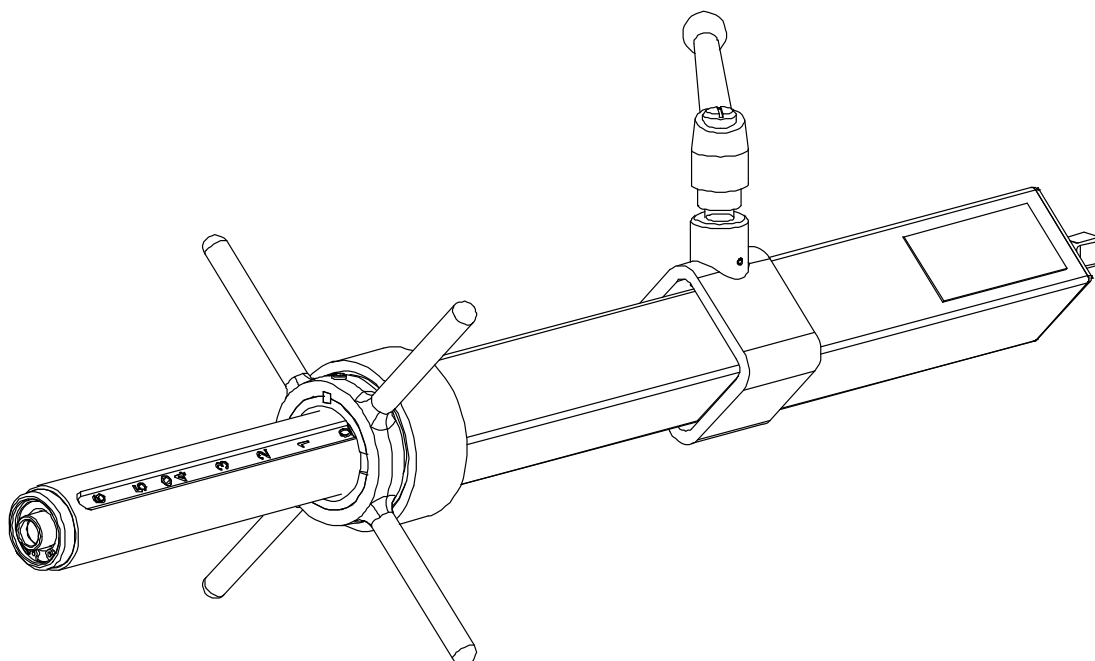


# Transmate

1 800 426 9341  
21919 20th Avenue SE • Suite 100  
Bothell, WA 98021  
www.romac.com

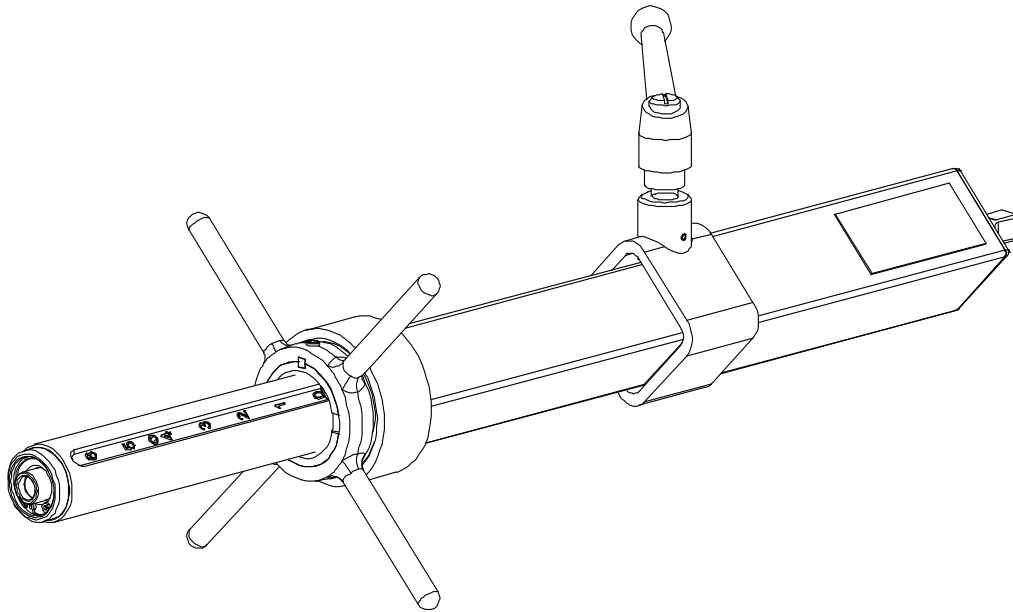
## The TapMate™ Too Pipe Drilling Machine



Please read all instructions before using this tool.  
Pay particular attention to the section on feeding the shell  
cutters into the pipe wall.

# Table of Contents

General Description.....	3
Using the TapMate Too™	
A. Machine Assembly.....	4
B. Attach Saddle and Corporation Stop .....	5
C. Mount Machine on Corporation Stop.....	5
D. Drilling the Pipe (Cast Iron, Ductile Iron, and Steel).....	6
E. Drilling Plastic Pipe.....	7
F. Removing the Machine .....	8
G. Cleaning and Storage .....	8
Parts List.....	10
HDPE Cutter Chart .....	14
Corporation / Adapter Cross-Reference .....	15



## General Description

The Transmate TapMate Too™ drilling machine features lightweight construction, manual feed with an integral travel scale. It is capable of making  $\frac{3}{4}$ " – 2" cuts in both pressurized and non-pressurized mains.

Ease of use and machine flexibility are two of the key design parameters of the TapMate Too™. The light weight of the machine (approx 10 lbs.) aids in both set-up and break down at the job site. It can use either a holesaw ( $\frac{3}{4}$ " – 2") or a spade drill ( $\frac{3}{4}$ " -1") to give the TapMate Too™ the flexibility to cut through cast iron, ductile iron, asbestos cement, steel or plastic pipes at normal waterworks operating pressures. The travel into and out of the cut uses both a quick travel and a threaded travel method. The quick travel is provided by a sliding square tube mechanism, bring the cutting tool through the corporation and into contact with the pipe (about 6  $\frac{1}{2}$ " of quick travel max). A steel feed nut traveling on a threaded tube provides mechanical force to cut the pipe wall. This threaded travel provides about 6  $\frac{1}{4}$ " of total possible travel. In most cases only a few inches of travel is needed. A scale, marked in inches, is cut into the threaded tube so you will always know where you are in the cutting process.

Holesaws of various sizes and types are available to meet your needs. They easily attached to the TapMate Too™ through the use of the arbors that thread into the end of the shaft. A small holesaw arbor provides connection for  $\frac{3}{4}$ " – 1  $\frac{1}{4}$ " holesaws and the large holesaw arbor provides the connection for 1  $\frac{1}{2}$ " – 2" holesaws. A pilot drill is provided with each arbor that slides into the arbor and is locked into place by a set screw. If using a spade bit, the spade bit holder threads directly to the end of the shaft instead of the arbor.

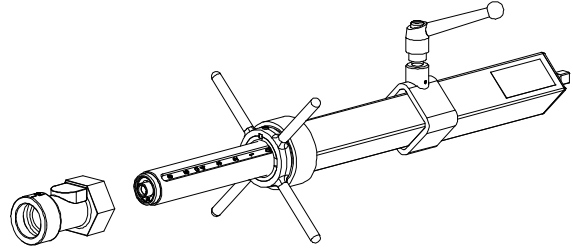
The TapMate Too™ attaches to the corporation with the use of adapter bells. These adapters are machined to match the outlet threads of your corporation. All adapters are constructed of cast ductile iron, steel, or aluminum and they thread onto the end of the threaded lead tube. An o-ring is provided to seal the adapters to the end of the threaded lead tube.

The TapMate Too™, as an option, can be powered hydraulically with the TapMate Too Hydraulic Drive (part number 372-351). Or electrically with the Ridgid 690 Electric Drive (part number 373-351), or even with just a hand drill.

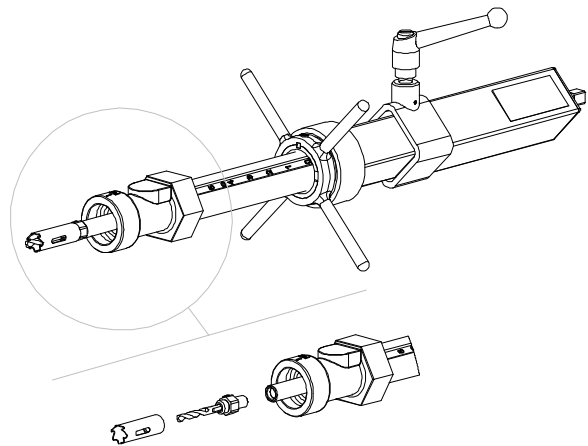
## USING THE TAPMATE TOO

### A. ASSEMBLING THE MACHINE

1. Choose the proper size and type of Adapter to match the outlet threads of the corporation stop you intend to use (for assistance, see Corporation / Adapter cross reference, page 14). Thread the hex shaped end of the adapter onto the Lead Tube until it is snug. This assures the O-Ring in the adapter will seal against the Lead Tube.



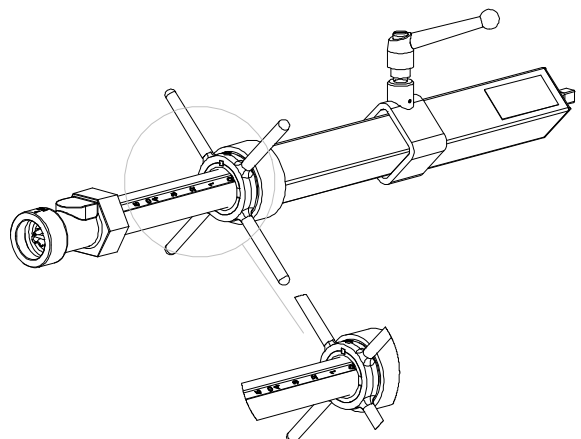
2. Loosen the Brake Handle and collapse square tubes. This will expose the end of the Shaft out of the Adapter. Attach the proper cutting tool to the Shaft, either with a spade bit holder and spade bit, or the appropriate size arbor and holesaw. Hold the square end of the shaft with a crescent wrench and thread on the cutting tool. DO NOT use a pipe wrench on the shaft.



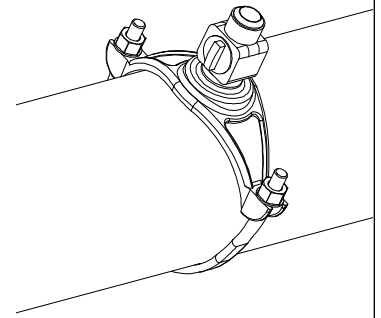
If you have chosen to use a Holesaw, check that the pilot drill is locked into place prior to attaching to the Shaft. There is a set screw on the side of the arbor that bears onto a ground flat on the pilot drill. If the pilot drill is not locked, it may just spin and not cut the pilot hole.

It is recommended that you DO NOT use the Pilot Drill in the Arbor if cutting plastic pipe.

3. Retract the Shaft and cutting tool back into the Adapter by extending the square tubes to its full travel (approximately 6 1/2"). The Lead Nut is wound back so that the number "0" shows on the milled scale in the Lead Tube.

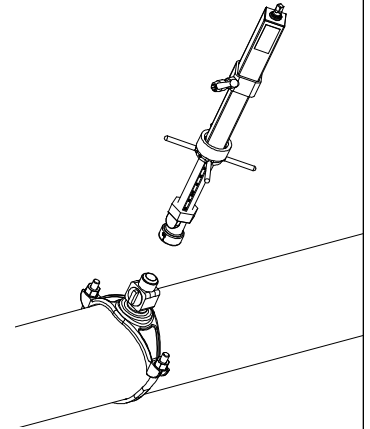


**B. ATTACH SERVICE CLAMP of SADDLE & CORPORATION STOP per MANUFACTURER DIRECTIONS**

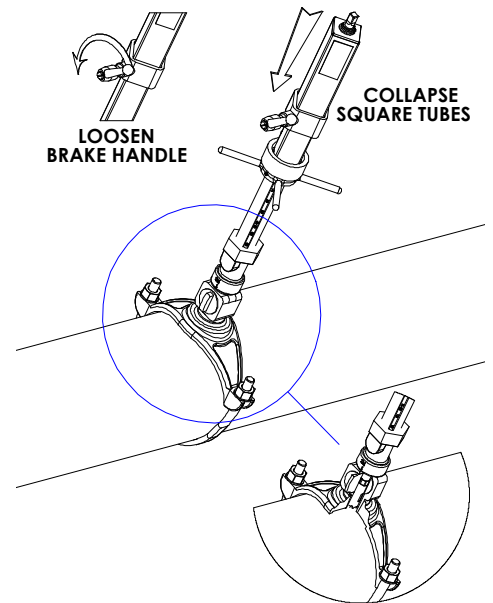


**C. MOUNT MACHINE ON THE CORP. STOP**

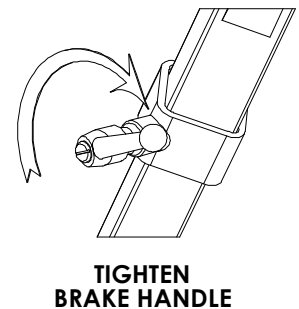
1. Thread the machine and adapter onto the corporation stop until it is tight. If the adapter is left loose you may leak water. Use a pipe wrench on the Adapter to tighten the machine and adapter onto the corporation stop.



2. Open the corporation stop. Loosen the brake handle and slowly collapse the two square tubes, advancing the cutting tool until it contacts the pipe wall. Avoid a sharp contact with the main, as this may damage the Pilot Drill, Spade Bit or Holesaws.



3. Tighten the brake with the brake handle. Mount the ratchet wrench on the square end of the Shaft.



## D. DRILLING CAST IRON DUCTILE IRON and STEEL PIPE

**NOTE:** The Ratchet Wrench must always turn the Shaft in the clockwise direction when looking toward the main. Reversing the direction of the Shaft's rotation will damage your cutting tools.

### 1. Using the Spade Bits

The spade bit will act like a standard drill bit. Turn the ratchet handle in the back a full 360 degrees if possible. You should try to apply even force so that the Spade Bit continually moves into the pipe, feeding into the pipe only while the Shaft is turning.

### 2. Using the Holesaws and Arbors

The holesaws will not act like a standard drill bit and the feeding rate must be changed. Overfeeding the holesaws will break the teeth off and make the cut hard work.

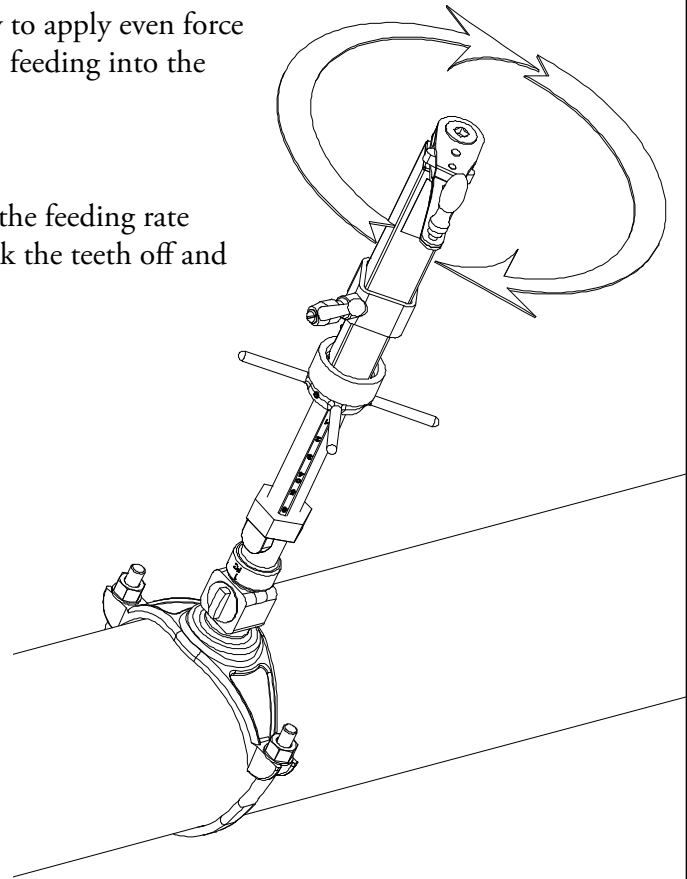
Holesaw manufacturers advise that more the 25 ft-lbs. of torque is enough to damage the teeth of holesaws. A holesaw **SHOULD NOT BE FORCED INTO THE MAIN**. It needs to cut a path as it goes, unlike a standard drill bit which chisels its way through the pipe wall.

We advise you to feed the holesaw so the the ratchet is always easy to turn. If the ratchet catches, reverse the feed out of the cut (NOT in the direction of the Shaft's rotation) until the holesaw is freely turning. Proceed back into the cut, then back off the feed and go a little slower. At first, the feed may seem very slow to the operator and he may be wondering how long it will take to make the cut.

Please do not be impatient! You will find that a fast cut can be obtained with very little effort if you feed the holesaws as recommended.

If possible, turn the ratchet wrench a full 360 degrees, rotating the shaft in a clockwise direction as viewed looking towards the pipe. If unable to rotate the full 360 degrees then go a head and ratchet back and forth. **NOTE:** Remember that as you are ratcheting back you are NOT rotating the shaft, so do not feed the cutter in as you are ratcheting back. Start out feeding very slowly and get used to the cutting action of a holesaw on the pipe. As a general rule, you will feed about 1/8th of a turn on the feed nut for every two revolutions of the shaft.

The key is to feed the holesaw so the ratchet is always free turning. Please try this method no matter how many cuts you've made in the past. You will find that cutting a hole into a water main is much less work! If there has been one common problem with the TapMate Too™ for new users, it has been overfeeding the holesaws.

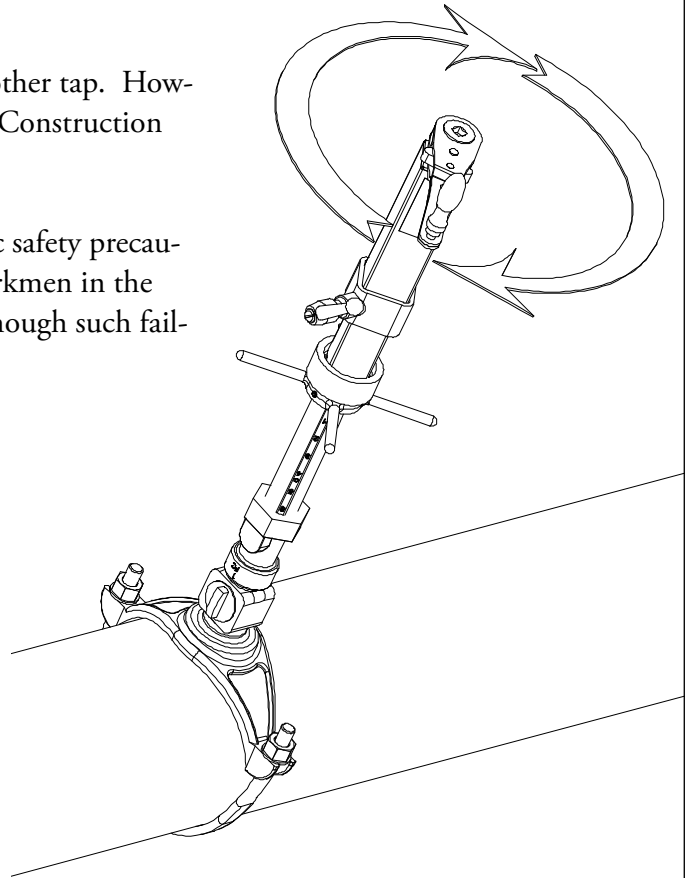


## E. DRILLING PLASTIC PIPE

The composition and construction of plastic pipe requires the use of additional tapping techniques. Unibell, the plastic pipe manufacturers association recommends a shell cutter with at least two flutes for tapping PVC pipe. For this reason, we advise you to use the PVC hole-saws when tapping into plastic. Remove the pilot drill from the Arbor prior to cutting PVC pipe.

Tapping plastic pipe uses the same techniques as any other tap. However, the Unibell Handbook of PVC Pipe Design and Construction lists these additional precautions:

- When drilling or tapping any pressurized pipe, basic safety precautions are advised to assure personal safety to the workmen in the event of a sudden and unexpected pipe failure. Although such failures are extremely infrequent, nevertheless, the following precautions are recommended:
- A second workman or supervisor should be present in the immediate vicinity.
- In addition to normal protective clothing, goggles or face shields should be worn.
- Ladders should be provided for quick exit availability.
- A heavy protective blanket with a hole in the center to permit installation and operation of the tapping and drilling machine should be provided to cover the exposed area of the pipe.

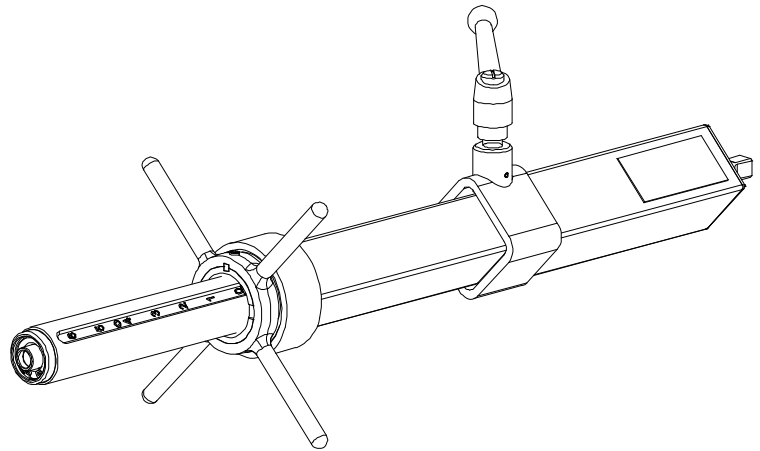


## F. REMOVING THE MACHINE FROM THE MAIN

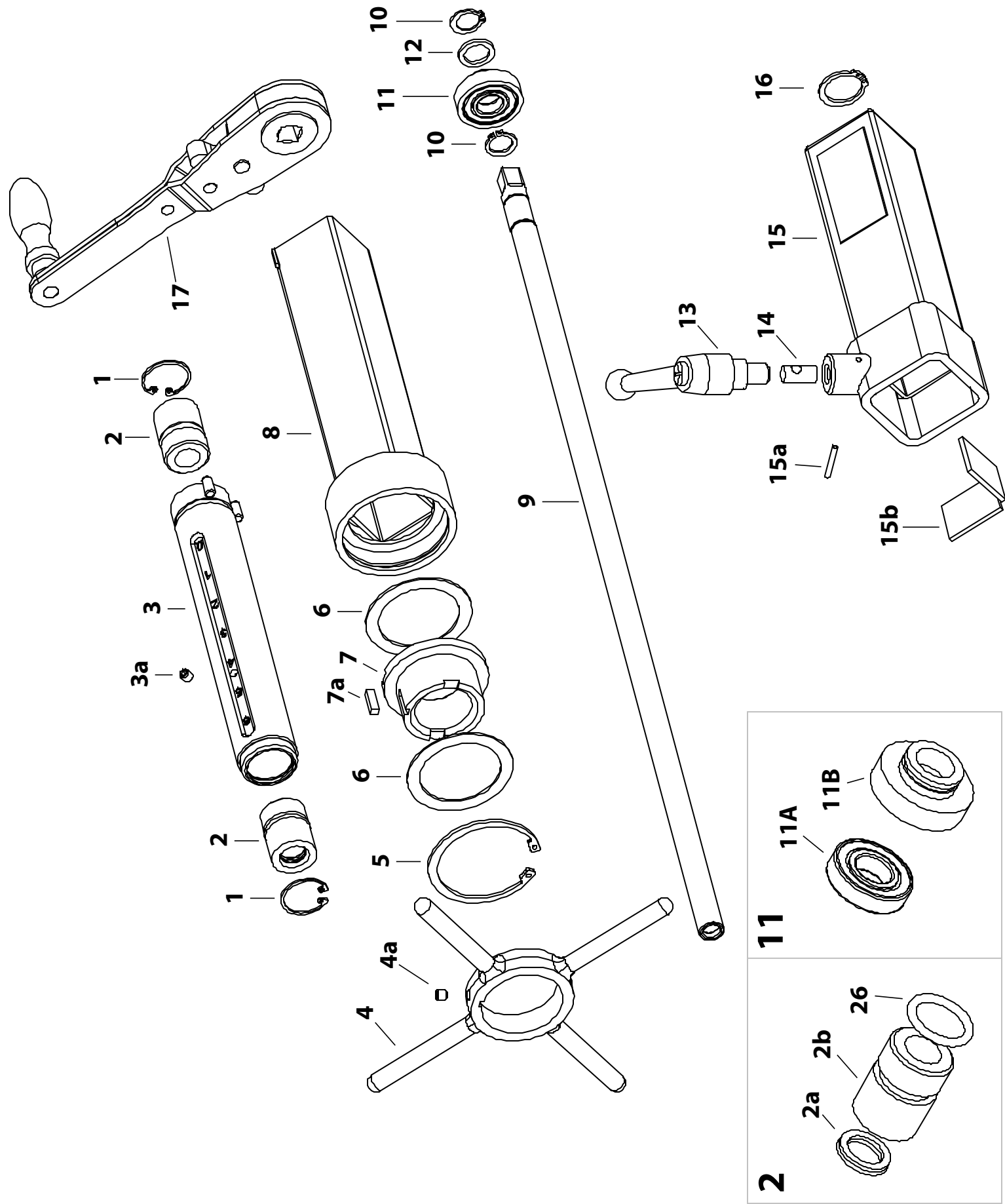
1. The cut is complete when the shaft advances easily into the main. Thread the Lead Nut back so that “0” shows on the ruler scale and then loosen the brake handle and pull the sliding brake tube and thrust tubes apart to full extension.
2. Close the corporation stop. If it will not close, check that the machine is fully retracted. The shaft of the drilling machine may still be interfering.
3. Unthread the machine from the corporation stop. The cut is complete.

## G. CLEANING AND STORAGE

1. The TapMate Too™ should be cleaned after each use. Clean the thread of the Lead Tube if necessary. Spray the Lead Tube with Tri Flow (or equivalent) lubricant.
2. Examine the cutting tool, if it is dull then replace it before the next cut.
3. We advise the machine be stored in the tool box provided.







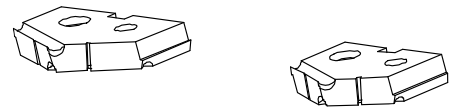
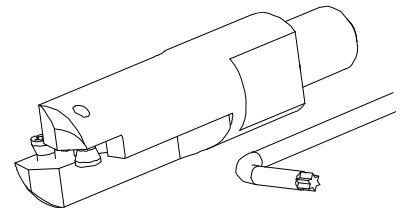
## TAPMATE TOO™ PARTS LIST

REF NO.	DESCRIPTION	ITEM NO.	REF NO.	DESCRIPTION	ITEM NO.
1	Lead Tube Snap Ring (2 required)	351-23-54	9	Shaft	351-20
2	<b>Lead Tube Bushing Complete</b> (includes Bushing, Shaft Seal, O-Ring)	<b>351-22-2A</b>	10	<b>Shaft End Snap Ring (2 required)</b>	<b>351-20-54</b>
2a	Poly Pak Shaft Seal	351-57-2	11	<b>Shaft End Bushing Complete</b>	<b>351-22-1A</b>
2b	Lead Tube Bushing	351-22-2	11a	Shaft End Bearing	351-20-56
2c	Lead Tube Bushing O-Ring	351-57-1-62	11b	Shaft End Bushing	351-22-1
3	<b>Lead Tube</b>	<b>351-23</b>	12	<b>Shaft End Nylatron Washer</b>	<b>351-20-531</b>
3a	Lead Tube Set Screw	351-23-512	13	<b>Brake Handle</b>	<b>351-29-2</b>
4	<b>Handle for Lead Nut</b>	<b>351-29-1</b>	14	<b>Brake Pin</b>	<b>351-50-2</b>
5	<b>Lead Nut Snap Ring</b>	<b>351-24-54</b>	15	<b>Brake Tube (includes Brake Pads)</b>	<b>351-30</b>
5a	Arbor & Handle Set Screw	351-51-2	15b	<b>Brake Pad (2 required)</b>	<b>351-30-1</b>
6	<b>Lead Nut Nylatron Washers (2 required)</b>	<b>351-24-531</b>	15a	<b>Roll Pin</b>	<b>351-50-3</b>
7	<b>Lead Nut</b>	<b>351-24</b>	16	<b>Shaft End Bushing Snap Ring</b>	<b>351-22-54</b>
7a	Lead Nut Key	351-24-66	17	<b>Ratchet Wrench</b>	<b>351-60-1</b>
8	<b>Thrust Tube</b>	<b>351-32</b>	<b>Not Illustrated:</b> Toolbox		351-61

## SPADE BIT

The spade bit provides a low cost alternative to the traditional twist drill bit. Spade bits are attached to the spade bit holder using the two Torx™ screws provided.

PART NUMBER	DESCRIPTION
351-03-106	3/4" Spade Bit (actual OD 23/32")
351-03-108	1" Spade Bit (actual OD 7/8")
351-03-12	Spade Bit Holder (includes Torx Key Wrench and Screws; required for Spade Bit use)
351-60-5	Torx Key Wrench
351-03-512	Spade Bit Screw (2 required)

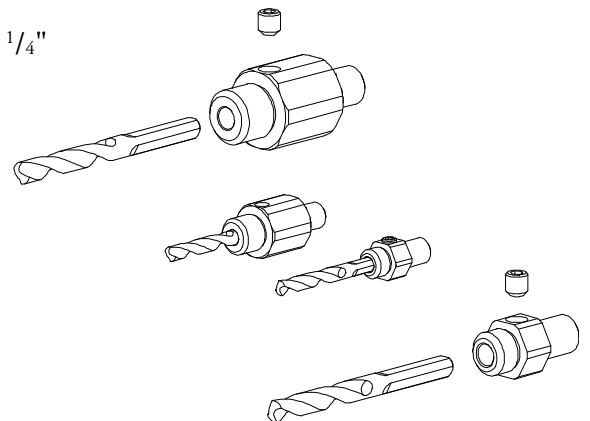


**Caution:** Over tightening of these small screws will strip out the heads. Spade bits are available in the 3/4" nominal (23/32" actual), and the 1" nominal (7/8" actual) sizes.

## HOLESAW ARBORS

The arbors mate the end of the shaft to the holesaw being used. Two arbors are available. The Small Arbor accommodates 3/4" - 1 1/4" holesaws. The Large Arbor is necessary for 1 1/2" and 2" cuts.

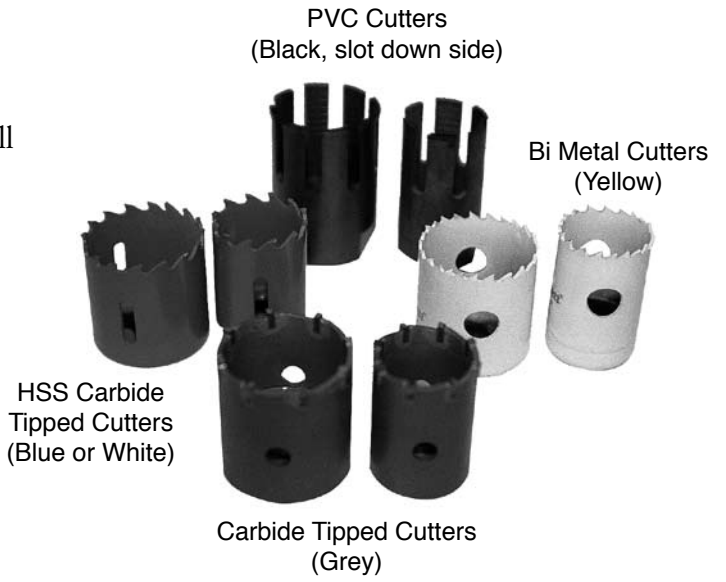
PART NUMBER	DESCRIPTION
351-14-1	Small Holesaw Arbor, includes Arbor Pilot Drill 351-01-402 (for 3/4", 1" and 1 1/4" holesaws)
351-14-2	Large Holesaw Arbor, includes Arbor Pilot Drill 351-01-402 (for 1 1/2" and 2" holesaws)
351-01-402	1/4" Arbor Pilot Drill (for Small and Large Holesaw Arbor)
351-01-403	1/4" Arbor Pilot Drill w/Retaining Spring



# HOLESAWS

Five types of Holesaws are available. The carbide tipped holesaw is best for use on A/C, Cast Iron, or Ductile Iron pipe. The HSS carbide tipped Holesaw works well on ductile iron, cast iron and A/C. The High Speed Steel holesaw is best for use with Steel Pipe, but may be used for ductile, cast iron and A/C as well. The PVC holesaw is necessary for cutting into plastic pipe. Special deep throated cutters for HDPE (not shown) are also available.

All types of holesaws are available in 5 sizes (shown below).



Holesaws	
Nominal Size	Actual O.D.
3/4"	11/16"
1"	7/8"
1 1/4"	1 1/8"
1 1/2"	1 3/8"
2"	1 3/4"

	PART NUMBER	DESCRIPTION	PART NUMBER	DESCRIPTION	
For Ductile, Cast Iron & A/C	351-01-106	3/4" Carbide Holesaw	For PVC only	351-01-206	3/4" PVC Holesaw
	351-01-108	1" Carbide Holesaw		351-01-208	1" PVC Holesaw
	351-01-110	1 1/4" Carbide Holesaw		351-01-210	1 1/4" PVC Holesaw
	351-01-112	1 1/2" Carbide Holesaw		351-01-212	1 1/2" PVC Holesaw
	351-01-116	2" Carbide Holesaw		351-01-216	2" PVC Holesaw
For Ductile, Cast Iron & A/C	351-01-406	3/4" HSS Carbide Tip Holesaw	For HDPE	351-01-906	3/4" HDPE Holesaw
	351-01-408	1" HSS Carbide Tip Holesaw		351-01-908	1" HDPE Holesaw
	351-01-410	1 1/4" HSS Carbide Tip Holesaw		351-01-910	1 1/4" HDPE Holesaw
	351-01-412	1 1/2" HSS Carbide Tip Holesaw		351-01-912	1 1/2" HDPE Holesaw
	351-01-416	2" HSS Carbide Tip Holesaw		351-01-916	2" HDPE Holesaw
For Ductile, Cast Iron, A/C & Steel	351-01-506	3/4" Bimetal Holesaw			
	351-01-508	1" Bimetal Holesaw			
	351-01-510	1 1/4" Bimetal Holesaw			
	351-01-512	1 1/2" Bimetal Holesaw			
	351-01-516	2" Bimetal Holesaw			

## MACHINE ADAPTERS

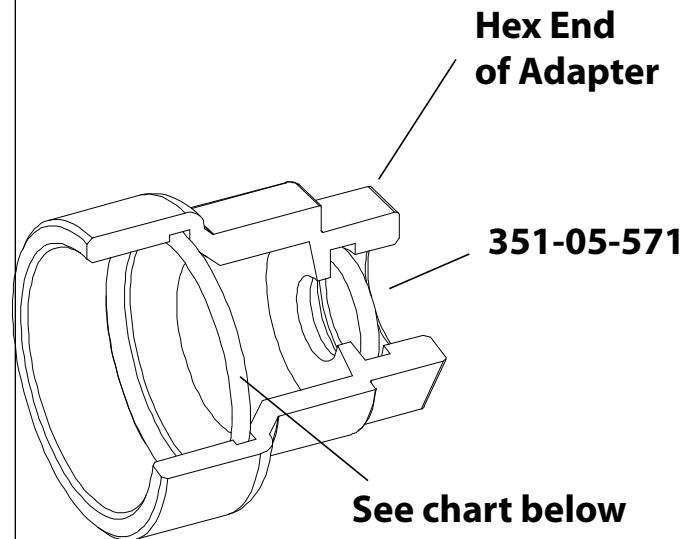
Adapters are available for all 3/4" - 2" corp stops. Special adapters can be made at the factory. Contact Transmate for additional information at 1-800-426-9341.



PART NUMBER	DESCRIPTION*	
351-05-406	3/4"	Female Iron Pipe Adapter
351-05-408	1"	Female Iron Pipe Adapter
351-05-410	1 1/4"	Female Iron Pipe Adapter
351-05-412	1 1/2"	Female Iron Pipe Adapter
351-05-416	2"	Female Iron Pipe Adapter
351-05-420	2 1/2"	Female Iron Pipe Adapter
351-05-506	3/4"	Flare Copper Adapter
351-05-508	1"	Flare Copper Adapter
351-05-510	1 1/4"	Flare Copper Adapter
351-05-512	1 1/2"	Flare Copper Adapter
351-05-516	2"	Flare Copper Adapter
351-05-606	3/4"	Male Iron Pipe Adapter
351-05-608	1"	Male Iron Pipe Adapter
351-05-610	1 1/4"	Male Iron Pipe Adapter
351-05-612	1 1/2"	Male Iron Pipe Adapter
351-05-616	2"	Male Iron Pipe Adapter
351-05-812	1 1/2"	Jones SG Adapter
351-05-816	2"	Jones SG Adapter
351-05-706	3/4"	Special Fine Thread Adapter
351-05-708	1"	Special Fine Thread Adapter
351-05-710	1 1/4"	Special Fine Thread Adapter
351-05-712	1 1/2"	Special Fine Thread Adapter
351-05-716	2"	Special Fine Thread Adapter
351-05-106	3/4"	HDPE Adapter FIP
351-05-108	1"	HDPE Adapter FIP
351-05-110	1 1/4"	HDPE Adapter FIP
351-05-112	1 1/2"	HDPE Adapter FIP
351-05-116	2"	HDPE Adapter FIP
351-05-906	3/4"	HDPE Adapter FC
351-05-908	1"	HDPE Adapter FC
351-05-910	1 1/4"	HDPE Adapter FC
351-05-912	1 1/2"	HDPE Adapter FC
351-05-916	2"	HDPE Adapter FC
351-05-206	3/4"	HDPE Adapter MIP
351-05-208	1"	HDPE Adapter MIP
351-05-210	1 1/4"	HDPE Adapter MIP
351-05-212	1 1/2"	HDPE Adapter MIP
351-05-216	2"	HDPE Adapter MIP

\*Note: Adapter thread description describes thread machined on the adapter

## Adapter O-Rings



PART NUMBER	DESCRIPTION
351-05-571	TT Adapter O-Ring (All TT Adapters)
351-05-5571-1	TT Adapter O-Ring 3/4" Flare Copper
351-05-5571-2	TT Adapter O-Ring 1" Flare Copper
351-05-5571-2	TT Adapter O-Ring 1" Flare Copper
351-05-5571-3	TT Adapter O-Ring 1 1/4" Flare Copper
351-05-5571-4	TT Adapter O-Ring 1 1/2" Flare Copper
351-05-5571-5	TT Adapter O-Ring 2" Flare Copper
351-05-706-57	TT Adapter O-Ring 3/4" Special Fine Thread
351-05-708-57	TT Adapter O-Ring 1" Special Fine Thread
351-05-710-57	TT Adapter O-Ring 1 1/4" Special Fine Thread
351-05-712-57	TT Adapter O-Ring 1 1/2" Special Fine Thread
351-05-716-57	TT Adapter O-Ring 2" Special Fine Thread

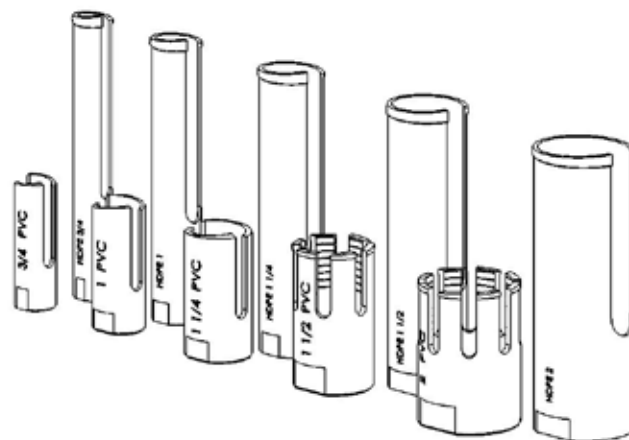
## TAPMATE TOO PVC to HDPE CUTTER CHART

When do I have to use the HDPE cutter instead of the PVC plastic cutter?

This is totally dependent on the wall thickness of the HDPE pipe. The PVC cutter can be used on HDPE pipe with up to 1<sup>1</sup>/<sub>8</sub>" wall thickness, but beyond 1<sup>1</sup>/<sub>8</sub>" wall it is recommended that the HDPE cutter and adapter be used. The chart below outlines the different wall thickness of HDPE pipe. Approximate values of wall thickness can be derived by taking the OD of the pipe divided by the SDR number. The shaded area below shows where the PVC cutter can be used.

Nominal Size	Average OD	MINIMUM WALL					Max Wall	Min. Wall	Diff. in Perimeter
		SDR 15.55 110 psi	SDR 13.5 130 psi	SDR 11 160 psi	SDR 9 200 psi	SDR 7 265 psi			
3	3.50	0.23	0.26	0.32	0.39	0.50	0.50	0.23	1.72
4	4.50	0.29	0.33	0.41	0.50	0.64	0.64	0.29	2.22
5	5.56	0.36	0.41	0.51	0.62	0.80	0.80	0.36	2.74
6	6.63	0.43	0.49	0.60	0.74	0.95	0.95	0.43	3.26
7	7.13	0.46	0.53	0.65	0.79	1.02	1.02	0.46	3.50
8	8.63	0.56	0.64	0.78	0.96	1.23	1.23	0.56	4.25
10	10.75	0.69	0.80	0.98	1.19	1.54	1.54	0.69	5.29
12	12.75	0.82	0.94	1.16	1.42	1.82	1.82	0.82	6.27
13	13.39	0.86	0.99	1.22	1.49	1.91	1.91	0.86	6.58
14	14.00	0.90	1.04	1.27	1.56	2.00	2.00	0.90	6.89
16	16.00	1.03	1.19	1.46	1.78		1.78	1.03	4.68
18	18.00	1.16	1.33	1.64			1.64	1.16	2.98
20	20.00	1.29	1.48	1.82			1.82	1.29	3.32
21.5	21.50	1.39	1.59	1.96			1.96	1.39	3.57
22	22.00	1.42	1.63	2.00			2.00	1.42	3.65
24	24.00	1.55	1.78	2.18			2.18	1.55	3.98
26	26.00	1.68	1.93	2.36			2.36	1.68	4.31
28	28.00	1.81	2.07	2.55			2.55	1.81	4.64
30	30.00	1.94	2.22	2.73			2.73	1.94	4.97
800 mm	31.50	2.03	2.33				2.33	2.03	1.89
32	32.00	2.07	2.37				2.37	2.07	1.92
34	34.00	2.19	2.52				2.52	2.19	2.04
36	36.00	2.32	2.67				2.67	2.32	2.16
1000 mm	39.37						0.00	0.00	0.00
42	42.00						0.00	0.00	0.00
1200 mm	47.24						0.00	0.00	0.00

**Note:** If it is determined that an HDPE cutter is required, it MUST be used in conjunction with an HDPE adapter. Due to the cutters increased overall length.



# A. Y. McDonald

Corp	Outlet Size	TapMate Too	TapMate Too - HDPE
3120	3/4"	3/4" FIP Adapter 351-05-406	3/4" FIP Adapter 351-05-106
3120	1"	1" FIP Adapter 351-05-408	1" FIP Adapter 351-05-108
3121	3/4"	3/4" FIP Adapter 351-05-406	3/4" FIP Adapter 351-05-106
3121	1"	1" FIP Adapter 351-05-408	1" FIP Adapter 351-05-108
3121	1 1/4"	1 1/4" FIP Adapter 351-05-410	1 1/4" FIP Adapter 351-05-110
3121	1 1/2"	1 1/2" FIP Adapter 351-05-412	1 1/2" FIP Adapter 351-05-112
3121	2"	2" FIP Adapter 351-05-416	2" FIP Adapter 351-05-116
3121	2 1/2"	2 1/2" FIP Adapter 351-05-420	
3121B	1"	1" FIP Adapter 351-05-408	1" FIP Adapter 351-05-108
3121B	1 1/4"	1 1/4" FIP Adapter 351-05-410	1 1/4" FIP Adapter 351-05-110
3121B	2"	2" FIP Adapter 351-05-416	2" FIP Adapter 351-05-116
3121B	2 1/2"	2 1/2" FIP Adapter 351-05-420	
3122	3/4"	3/4" FIP Adapter 351-05-406	3/4" FIP Adapter 351-05-106
3122	1"	1" FIP Adapter 351-05-408	1" FIP Adapter 351-05-108
3122	1 1/4"	1 1/4" FIP Adapter 351-05-410	1 1/4" FIP Adapter 351-05-110
3122B	1"	1" FIP Adapter 351-05-408	1" FIP Adapter 351-05-108
3122B	1 1/4"	1 1/4" FIP Adapter 351-05-410	1 1/4" FIP Adapter 351-05-110
3122B	2"	2" FIP Adapter 351-05-416	2" FIP Adapter 351-05-116
3122B	2 1/2"	2 1/2" FIP Adapter 351-05-420	
3128	3/4"	3/4" FIP Adapter 351-05-406	3/4" FIP Adapter 351-05-106
3128	1"	1" FIP Adapter 351-05-408	1" FIP Adapter 351-05-108
3128	1 1/4"	1 1/4" FIP Adapter 351-05-410	1 1/4" FIP Adapter 351-05-110
3128B	3/4"	3/4" FIP Adapter 351-05-406	3/4" FIP Adapter 351-05-106
3128B	1"	1" FIP Adapter 351-05-408	1" FIP Adapter 351-05-108
3128B	1 1/2"	1 1/2" FIP Adapter 351-05-412	1 1/2" FIP Adapter 351-05-112
3128B	2"	2" FIP Adapter 351-05-416	2" FIP Adapter 351-05-116
3131	3/4"	3/4" FIP Adapter 351-05-406	3/4" FIP Adapter 351-05-106
3131	1"	1" FIP Adapter 351-05-408	1" FIP Adapter 351-05-108
3131	1 1/4"	1 1/4" FIP Adapter 351-05-410	1 1/4" FIP Adapter 351-05-110
3131	1 1/2"	1 1/2" FIP Adapter 351-05-412	1 1/2" FIP Adapter 351-05-112
3131	2"	2" FIP Adapter 351-05-416	2" FIP Adapter 351-05-116
3131B	3/4"	3/4" FIP Adapter 351-05-406	3/4" FIP Adapter 351-05-106
3131B	1"	1" FIP Adapter 351-05-408	1" FIP Adapter 351-05-108
3131B	1 1/2"	1 1/2" FIP Adapter 351-05-412	1 1/4" FIP Adapter 351-05-110
3131B	2"	2" FIP Adapter 351-05-416	2" FIP Adapter 351-05-116
3148B	3/4"	3/4" MIP Adapter 351-05-606	3/4" MIP Adapter 351-05-206
3148B	1"	1" MIP Adapter 351-05-608	1" MIP Adapter 351-05-208
3148B	1 1/2"	1 1/2" MIP Adapter 351-05-612	1 1/2" MIP Adapter 351-05-212
3148B	2"	2" MIP Adapter 351-05-616	2" MIP Adapter 351-05-216
3149B	3/4"	3/4" MIP Adapter 351-05-606	3/4" MIP Adapter 351-05-206
3149B	1"	1" MIP Adapter 351-05-608	1" MIP Adapter 351-05-208
3149B	1 1/2"	1 1/2" MIP Adapter 351-05-612	1 1/2" MIP Adapter 351-05-212
3149B	2"	2" MIP Adapter 351-05-616	2" MIP Adapter 351-05-216
3152	3/4"	3/4" FIP Adapter 351-05-406	3/4" FIP Adapter 351-05-106
3152	1"	1" FIP Adapter 351-05-408	1" FIP Adapter 351-05-108
4701-22	3/4"	3/4" FC Adapter 351-05-506	3/4" FC Adapter 351-05-906
4701-22	1"	1" FC Adapter 351-05-508	1" FC Adapter 351-05-908
4701-22	1 1/4"	1 1/4" FC Adapter 351-05-510	1 1/4" FC Adapter 351-05-910
4701-22	1 1/2"	1 1/2" FC Adapter 351-05-512	1 1/2" FC Adapter 351-05-912
4701-22	2"	2" FC Adapter 351-05-516	2" FC Adapter 351-05-916
4701-33	3/4"	1" FC Adapter 351-05-508	1" FC Adapter 351-05-908
4701-33	1"	1 1/4" FC Adapter 351-05-510	1 1/4" FC Adapter 351-05-910
4701-3Q	3/4"	3/4" FC Adapter 351-05-506	3/4" FC Adapter 351-05-906
4701-3Q	1"	1" FC Adapter 351-05-508	1" FC Adapter 351-05-908

# A. Y. McDonald

Corp	Outlet Size	TapMate Too	TapMate Too - HDPE
4701-3T	3/4"	1" FC Adapter 351-05-508	1" FC Adapter 351-05-908
4701-3T	1"	1 1/4" FC Adapter 351-05-510	1 1/4" FC Adapter 351-05-910
4701-44	3/4"	1" FC Adapter 351-05-508	1" FC Adapter 351-05-908
4701-44	1"	1 1/4" FC Adapter 351-05-510	1 1/4" FC Adapter 351-05-910
4701-55	3/4"	1" FC Adapter 351-05-508	1" FC Adapter 351-05-908
4701-55	1"	1 1/4" FC Adapter 351-05-510	1 1/4" FC Adapter 351-05-910
4701B-22	3/4"	3/4" FC Adapter 351-05-506	3/4" FC Adapter 351-05-906
4701B-22	1"	1" FC Adapter 351-05-508	1" FC Adapter 351-05-908
4701B-22	1 1/4"	1 1/4" FC Adapter 351-05-510	1 1/4" FC Adapter 351-05-910
4701B-22	1 1/2"	1 1/2" FC Adapter 351-05-512	1 1/2" FC Adapter 351-05-912
4701B-22	2"	2" FC Adapter 351-05-516	2" FC Adapter 351-05-916
4701B-33	3/4"	1" FC Adapter 351-05-508	1" FC Adapter 351-05-908
4701B-33	1"	1 1/4" FC Adapter 351-05-510	1 1/4" FC Adapter 351-05-910
4701B-33	1 1/2"	2" FC Adapter 351-05-516	2" FC Adapter 351-05-916
4701B-33	2"	2" FC Adapter 351-05-516	2" FC Adapter 351-05-916
4701B-3Q	3/4"	3/4" FC Adapter 351-05-506	3/4" FC Adapter 351-05-906
4701B-3Q	1"	1" FC Adapter 351-05-508	1" FC Adapter 351-05-908
4701B-3T	3/4"	1" FC Adapter 351-05-508	1" FC Adapter 351-05-908
4701B-3T	1"	1 1/4" FC Adapter 351-05-510	1 1/4" FC Adapter 351-05-910
4701B-44	3/4"	1" FC Adapter 351-05-508	1" FC Adapter 351-05-908
4701B-44	1"	1 1/4" FC Adapter 351-05-510	1 1/4" FC Adapter 351-05-910
4701B-44	1 1/2"	1 1/2" FC Adapter 351-05-512	1 1/2" FC Adapter 351-05-912
4701B-44	2"	2" FC Adapter 351-05-516	2" FC Adapter 351-05-916
4701B-55	3/4"	1" FC Adapter 351-05-508	1" FC Adapter 351-05-908
4701B-55	1"	1 1/4" FC Adapter 351-05-510	1 1/4" FC Adapter 351-05-910
4101BCAP-22	3/4"	3/4" FC Adapter 351-05-506	3/4" FC Adapter 351-05-906
4101BCAP-22	1"	1" FC Adapter 351-05-508	1" FC Adapter 351-05-908
4101BCAP-22	1 1/2"	1 1/2" FC Adapter 351-05-512	1 1/2" FC Adapter 351-05-912
4101BCAP-22	2"	2" FC Adapter 351-05-516	2" FC Adapter 351-05-916
4101BCAP-33	3/4"	1" FC Adapter 351-05-508	1" FC Adapter 351-05-908
4101BCAP-33	1"	1 1/4" FC Adapter 351-05-510	1 1/4" FC Adapter 351-05-910
4101BCAP-33	1 1/2"	2" FC Adapter 351-05-516	2" FC Adapter 351-05-916
4101BCAP-33	2"	2" FC Adapter 351-05-516	2" FC Adapter 351-05-916
4101BCAP-3Q	3/4"	3/4" FC Adapter 351-05-506	3/4" FC Adapter 351-05-906
4101BCAP-3Q	1"	1" FC Adapter 351-05-508	1" FC Adapter 351-05-908
4101BCAP-44	3/4"	1" FC Adapter 351-05-508	1" FC Adapter 351-05-908
4101BCAP-44	1"	1 1/4" FC Adapter 351-05-510	1 1/4" FC Adapter 351-05-910
4101BCAP-44	1 1/2"	1 1/2" FC Adapter 351-05-512	1 1/2" FC Adapter 351-05-912
4101BCAP-44	2"	2" FC Adapter 351-05-516	2" FC Adapter 351-05-916
4101BCAPF	3/4"	3/4" MIP Adapter 351-05-606	3/4" MIP Adapter 351-05-206
4101BCAPF	1"	1" MIP Adapter 351-05-608	1" MIP Adapter 351-05-208
4101BCAPF	1 1/2"	1 1/2" MIP Adapter 351-05-612	1 1/2" MIP Adapter 351-05-212
4101BCAPF	2"	2" MIP Adapter 351-05-616	2" MIP Adapter 351-05-216
4101BCAPP	3/4"	3/4" FIP Adapter 351-05-406	3/4" FIP Adapter 351-05-106
4101BCAPP	1"	1" FIP Adapter 351-05-408	1" FIP Adapter 351-05-108
4101BCAPP	1 1/2"	1 1/2" FIP Adapter 351-05-412	1 1/2" FIP Adapter 351-05-112
4101BCAPP	2"	2" FIP Adapter 351-05-416	2" FIP Adapter 351-05-116
4101BCAPQ	3/4"	3/4" FC Adapter 351-05-506	3/4" FC Adapter 351-05-906
4101BCAPQ	1"	1" FC Adapter 351-05-508	1" FC Adapter 351-05-908
4101BCAPQ	1 1/2"	1 1/2" FC Adapter 351-05-512	1 1/2" FC Adapter 351-05-912
4101BCAPQ	2"	2" FC Adapter 351-05-516	2" FC Adapter 351-05-916

# A. Y. McDonald

Corp	Outlet Size	TapMate Too	TapMate Too - HDPE
4101BCAPT	3/4"	3/4" FC Adapter 351-05-506	3/4" FC Adapter 351-05-906
4101BCAPT	1"	1" FC Adapter 351-05-508	1" FC Adapter 351-05-908
4101BCAPT	1 1/2"	1 1/2" FC Adapter 351-05-512	1 1/2" FC Adapter 351-05-912
4101BCAPT	2"	2" FC Adapter 351-05-516	2" FC Adapter 351-05-916
4101BP	1"	1" FIP Adapter 351-05-408	1" FIP Adapter 351-05-108
4701BQ	3/4"	3/4" FC Adapter 351-05-506	3/4" FC Adapter 351-05-906
4701BQ	1"	1" FC Adapter 351-05-508	1" FC Adapter 351-05-908
4701BQ	1 1/4"	1 1/4" FC Adapter 351-05-510	1 1/4" FC Adapter 351-05-910
4701BQ	1 1/2"	1 1/2" 110 Compression Connection 351-05-712	
4701BQ	2"	2" 110 Compression Connections 351-05-716	
4701BT	3/4"	3/4" FC Adapter 351-05-506	3/4" FC Adapter 351-05-906
4701BT	1"	1" FC Adapter 351-05-508	1" FC Adapter 351-05-908
4701BT	1 1/4"	1 1/4" FC Adapter 351-05-510	1 1/4" FC Adapter 351-05-910
4701BT	1 1/2"	1 1/2" FC Adapter 351-05-512	1 1/2" FC Adapter 351-05-912
4701BT	2"	2" FC Adapter 351-05-516	2" FC Adapter 351-05-916
4701Q	3/4"	3/4" FC Adapter 351-05-506	3/4" FC Adapter 351-05-906
4701Q	1"	1" FC Adapter 351-05-508	1" FC Adapter 351-05-908
4701Q	1 1/4"	1 1/4" FC Adapter 351-05-510	1 1/4" FC Adapter 351-05-910
4701Q	1 1/2"	1 1/2" 110 Compression Connection 351-05-712	
4701Q	2"	2" 110 Compression Connections 351-05-716	
4701T	3/4"	3/4" FC Adapter 351-05-506	3/4" FC Adapter 351-05-906
4701T	1"	1" FC Adapter 351-05-508	1" FC Adapter 351-05-908
4701T	1 1/4"	1 1/4" FC Adapter 351-05-510	1 1/4" FC Adapter 351-05-910
4701T	1 1/2"	1 1/2" FC Adapter 351-05-512	1 1/2" FC Adapter 351-05-912
4701T	2"	2" FC Adapter 351-05-516	2" FC Adapter 351-05-916
4704-22	3/4"	3/4" FC Adapter 351-05-506	3/4" FC Adapter 351-05-906
4704-22	1"	1" FC Adapter 351-05-508	1" FC Adapter 351-05-908
4704-22	1 1/4"	1 1/4" FC Adapter 351-05-510	1 1/4" FC Adapter 351-05-910
4704-22	1 1/2"	1 1/2" FC Adapter 351-05-512	1 1/2" FC Adapter 351-05-912
4704-22	2"	2" FC Adapter 351-05-516	2" FC Adapter 351-05-916
4704-33	3/4"	1" FC Adapter 351-05-508	1" FC Adapter 351-05-908
4704-33	1"	1 1/4" FC Adapter 351-05-510	1 1/4" FC Adapter 351-05-910
4704-44	3/4"	1" FC Adapter 351-05-508	1" FC Adapter 351-05-908
4704-44	1"	1 1/4" FC Adapter 351-05-510	1 1/4" FC Adapter 351-05-910
4704-55	3/4"	1" FC Adapter 351-05-508	1" FC Adapter 351-05-908
4704-55	1"	1 1/4" FC Adapter 351-05-510	1 1/4" FC Adapter 351-05-910
4704-3Q	3/4"	3/4" FC Adapter 351-05-506	3/4" FC Adapter 351-05-906
4704-3Q	1"	1" FC Adapter 351-05-508	1" FC Adapter 351-05-908
4704-3T	3/4"	1" FC Adapter 351-05-508	1" FC Adapter 351-05-908
4704-3T	1"	1 1/4" FC Adapter 351-05-510	1 1/4" FC Adapter 351-05-910
4704B-22	3/4"	3/4" FC Adapter 351-05-506	3/4" FC Adapter 351-05-906
4704B-22	1"	1" FC Adapter 351-05-508	1" FC Adapter 351-05-908
4704B-22	1 1/4"	1 1/4" FC Adapter 351-05-510	1 1/4" FC Adapter 351-05-910
4704B-22	1 1/2"	1 1/2" FC Adapter 351-05-512	1 1/2" FC Adapter 351-05-912
4704B-22	2"	2" FC Adapter 351-05-516	2" FC Adapter 351-05-916
4704B-33	3/4"	1" FC Adapter 351-05-508	1" FC Adapter 351-05-908
4704B-33	1"	1 1/4" FC Adapter 351-05-510	1 1/4" FC Adapter 351-05-910
4704B-33	2"	1 1/2" FC Adapter 351-05-512	1 1/2" FC Adapter 351-05-912
4704B-33	2"	2" FC Adapter 351-05-516	2" FC Adapter 351-05-916
4704B-44	3/4"	1" FC Adapter 351-05-508	1" FC Adapter 351-05-908
4704B-44	1"	1 1/4" FC Adapter 351-05-510	1 1/4" FC Adapter 351-05-910
4704B-44	2"	1 1/2" FC Adapter 351-05-512	1 1/2" FC Adapter 351-05-912
4704B-44	2"	2" FC Adapter 351-05-516	2" FC Adapter 351-05-916
4704B-55	3/4"	1" FC Adapter 351-05-508	1" FC Adapter 351-05-908
4704B-55	1"	1 1/4" FC Adapter 351-05-510	1 1/4" FC Adapter 351-05-910

# A. Y. McDonald

Corp	Outlet Size	TapMate Too	TapMate Too - HDPE
4704B-3Q	3/4"	3/4" FC Adapter 351-05-506	3/4" FC Adapter 351-05-906
4704B-3Q	1"	1" FC Adapter 351-05-508	1" FC Adapter 351-05-908
4704B-3T	3/4"	1" FC Adapter 351-05-508	1" FC Adapter 351-05-908
4704B-3T	1"	1 1/4" FC Adapter 351-05-510	1 1/4" FC Adapter 351-05-910
4104BCAP-22	3/4"	3/4" FC Adapter 351-05-506	3/4" FC Adapter 351-05-906
4104BCAP-22	1"	1" FC Adapter 351-05-508	1" FC Adapter 351-05-908
4104BCAP-22	1 1/2"	1 1/2" FC Adapter 351-05-512	1 1/2" FC Adapter 351-05-912
4104BCAP-22	2"	2" FC Adapter 351-05-516	2" FC Adapter 351-05-916
4104BCAP-33	3/4"	1" FC Adapter 351-05-508	1" FC Adapter 351-05-908
4104BCAP-33	1"	1 1/4" FC Adapter 351-05-510	1 1/4" FC Adapter 351-05-910
4104BCAP-33	1 1/2"	2" FC Adapter 351-05-516	2" FC Adapter 351-05-916
4104BCAP-33	2"	2" FC Adapter 351-05-516	2" FC Adapter 351-05-916
4104BCAP-3Q	3/4"	3/4" FC Adapter 351-05-506	3/4" FC Adapter 351-05-906
4104BCAP-3Q	1"	1" FC Adapter 351-05-508	1" FC Adapter 351-05-908
4104BCAP-44	3/4"	1" FC Adapter 351-05-508	1" FC Adapter 351-05-908
4104BCAP-44	1"	1 1/4" FC Adapter 351-05-510	1 1/4" FC Adapter 351-05-910
4104BCAP-44	1 1/2"	1 1/2" FC Adapter 351-05-512	1 1/2" FC Adapter 351-05-912
4104BCAP-44	2"	2" FC Adapter 351-05-516	2" FC Adapter 351-05-916
4104BCAPF	3/4"	3/4" MIP Adapter 351-05-606	3/4" MIP Adapter 351-05-206
4104BCAPF	1"	1" MIP Adapter 351-05-608	1" MIP Adapter 351-05-208
4104BCAPF	1 1/2"	1 1/2" MIP Adapter 351-05-612	1 1/2" MIP Adapter 351-05-212
4104BCAPF	2"	2" MIP Adapter 351-05-616	2" MIP Adapter 351-05-216
4104BCAPP	3/4"	3/4" FIP Adapter 351-05-406	3/4" FIP Adapter 351-05-106
4104BCAPP	1"	1" FIP Adapter 351-05-408	1" FIP Adapter 351-05-108
4104BCAPP	1 1/2"	1 1/2" FIP Adapter 351-05-412	1 1/2" FIP Adapter 351-05-112
4104BCAPP	2"	2" FIP Adapter 351-05-416	2" FIP Adapter 351-05-116
4704BQ	3/4"	3/4" FC Adapter 351-05-506	3/4" FC Adapter 351-05-906
4704BQ	1"	1" FC Adapter 351-05-508	1" FC Adapter 351-05-908
4704BQ	1 1/2"	1 1/2" 110 Compression Connection 351-05-712	
4704BQ	2"	2" 110 Compression Connections 351-05-716	
4704BT	3/4"	3/4" FC Adapter 351-05-506	3/4" FC Adapter 351-05-906
4704BT	1"	1" FC Adapter 351-05-508	1" FC Adapter 351-05-908
4704BT	1 1/4"	1 1/4" FC Adapter 351-05-510	1 1/4" FC Adapter 351-05-910
4704BT	1 1/2"	1 1/2" FC Adapter 351-05-512	1 1/2" FC Adapter 351-05-912
4704BT	2"	2" FC Adapter 351-05-516	2" FC Adapter 351-05-916
4104BP	1"	1" FIP Adapter 351-05-408	1" FIP Adapter 351-05-108
4704Q	3/4"	3/4" FC Adapter 351-05-506	3/4" FC Adapter 351-05-906
4704Q	1"	1" FC Adapter 351-05-508	1" FC Adapter 351-05-908
4704Q	1 1/4"	1 1/4" FC Adapter 351-05-510	1 1/4" FC Adapter 351-05-910
4704Q	1 1/2"	1 1/2" 110 Compression Connection 351-05-712	
4704Q	2"	2" 110 Compression Connections 351-05-716	
4704T	3/4"	3/4" FC Adapter 351-05-506	3/4" FC Adapter 351-05-906
4704T	1"	1" FC Adapter 351-05-508	1" FC Adapter 351-05-908
4704T	1 1/4"	1 1/4" FC Adapter 351-05-510	1 1/4" FC Adapter 351-05-910
4704T	1 1/2"	1 1/2" FC Adapter 351-05-512	1 1/2" FC Adapter 351-05-912
4704T	2"	2" FC Adapter 351-05-516	2" FC Adapter 351-05-916

# Cambridge

Corp	Outlet Size	TapMate Too	TapMate Too - HDPE
301-A3B3	3/4"	3/4" FC Adapter 351-05-506	3/4" FC Adapter 351-05-906
301-A3C3	3/4"	3/4" FC Adapter 351-05-506	3/4" FC Adapter 351-05-906
301-A3CE3	3/4"	3/4" FC Adapter 351-05-506	3/4" FC Adapter 351-05-906
301-A3F3	3/4"	3/4" MIP Adapter 351-05-606	3/4" MIP Adapter 351-05-206
301-A3H3	3/4"	3/4" FC Adapter 351-05-506	3/4" FC Adapter 351-05-906
301-A3H4	1"	1" FC Adapter 351-05-508	1" FC Adapter 351-05-908
301-A3HE3	3/4"	3/4" FC Adapter 351-05-506	3/4" FC Adapter 351-05-906
301-A3J3	3/4"	3/4" FC Adapter 351-05-506	3/4" FC Adapter 351-05-906
301-A3K3	3/4"	3/4" FC Adapter 351-05-506	3/4" FC Adapter 351-05-906
301-A3PV3	3/4"	3/4" FC Adapter 351-05-506	3/4" FC Adapter 351-05-906
301-A3Z3	3/4"	3/4" FC Adapter 351-05-506	3/4" FC Adapter 351-05-906
301-A4B4	1"	1" FC Adapter 351-05-508	1" FC Adapter 351-05-908
301-A4C4	1"	1" FC Adapter 351-05-508	1" FC Adapter 351-05-908
301-A4CE4	1"	1" FC Adapter 351-05-508	1" FC Adapter 351-05-908
301-A4F4	1"	1" MIP Adapter 351-05-608	1" MIP Adapter 351-05-208
301-A4H4	1"	1" FC Adapter 351-05-508	1" FC Adapter 351-05-908
301-A4HE4	1"	1" FC Adapter 351-05-508	1" FC Adapter 351-05-908
301-A4J4	1"	1" FC Adapter 351-05-508	1" FC Adapter 351-05-908
301-A4K4	1"	1" FC Adapter 351-05-508	1" FC Adapter 351-05-908
301-A4M4	1"	1" FIP Adapter 351-05-408	1" FIP Adapter 351-05-108
301-A4PV4	1"	1" FC Adapter 351-05-508	1" FC Adapter 351-05-908
301-A4Z4	1"	1" FC Adapter 351-05-508	1" FC Adapter 351-05-908
301-A5C5	1 1/4"	1 1/4" FC Adapter 351-05-510	1 1/4" FC Adapter 351-05-910
301-A5F5	1 1/4"	1 1/4" MIP Adapter 351-05-610	1 1/4" MIP Adapter 351-05-210
301-A5H5	1 1/4"	1 1/4" FC Adapter 351-05-510	1 1/4" FC Adapter 351-05-910
301-A5M5	1 1/4"	1 1/4" FIP Adapter 351-05-410	1 1/4" FIP Adapter 351-05-110
301-A6B6	1 1/2"	1 1/2" 110 Compression Connection 351-05-712	
301-A6B7	2"	2" 110 Compression Connection 351-05-716	
301-A6C6	1 1/2"	1 1/2" FC Adapter 351-05-512	1 1/2" FC Adapter 351-05-912
301-A6F6	1 1/2"	1 1/2" MIP Adapter 351-05-612	1 1/2" MIP Adapter 351-05-212
301-A6H6	1 1/2"	1 1/2" 110 Compression Connection 351-05-712	
301-A6HE6	1 1/2"	1 1/2" 110 Compression Connection 351-05-712	
301-A6HE7	2"	2" 110 Compression Connection 351-05-716	
301-A6M6	1 1/2"	1 1/2" FIP Adapter 351-05-412	1 1/2" FIP Adapter 351-05-112
301-A7B7	2"	2" 110 Compression Connection 351-05-716	
301-A7C7	2"	2" FC Adapter 351-05-516	2" FC Adapter 351-05-916
301-A7F7	2"	2" MIP Adapter 351-05-616	2" MIP Adapter 351-05-216
301-A7H7	2"	2" 110 Compression Connection 351-05-716	
301-A7HE7	2"	2" 110 Compression Connection 351-05-716	
301-A7M7	2"	2" FIP Adapter 351-05-416	2" FIP Adapter 351-05-116
301-M3B3	3/4"	3/4" FC Adapter 351-05-506	3/4" FC Adapter 351-05-906
301-M3C3	3/4"	3/4" FC Adapter 351-05-506	3/4" FC Adapter 351-05-906
301-M3F3	3/4"	3/4" FIP Adapter 351-05-406	3/4" FIP Adapter 351-05-106
301-M3H3	3/4"	3/4" FC Adapter 351-05-506	3/4" FC Adapter 351-05-906
301-M3J3	3/4"	3/4" FC Adapter 351-05-506	3/4" FC Adapter 351-05-906
301-M3K3	3/4"	3/4" FC Adapter 351-05-506	3/4" FC Adapter 351-05-906
301-M3PV3	3/4"	3/4" FC Adapter 351-05-506	3/4" FC Adapter 351-05-906
301-M3Z3	3/4"	3/4" FC Adapter 351-05-506	3/4" FC Adapter 351-05-906

# Cambridge

Corp	Outlet Size	TapMate Too	TapMate Too - HDPE
301-M4B4	1"	1" FC Adapter 351-05-508	1" FC Adapter 351-05-908
301-M4C4	1"	1" FC Adapter 351-05-508	1" FC Adapter 351-05-908
301-M4F4	1"	1" MIP Adapter 351-05-608	1" MIP Adapter 351-05-208
301-M4H4	1"	1" FC Adapter 351-05-508	1" FC Adapter 351-05-908
301-M4J4	1"	1" FC Adapter 351-05-508	1" FC Adapter 351-05-908
301-M4K4	1"	1" FC Adapter 351-05-508	1" FC Adapter 351-05-908
301-M4M4	1"	1" FIP Adapter 351-05-408	1" FIP Adapter 351-05-108
301-M4PV4	1"	1" FC Adapter 351-05-508	1" FC Adapter 351-05-908
301-M4Z4	1"	1" FC Adapter 351-05-508	1" FC Adapter 351-05-908
301-M5C5	1 1/4"	1 1/4" FC Adapter 351-05-510	1 1/4" FC Adapter 351-05-910
301-M5F5	1 1/4"	1 1/4" MIP Adapter 351-05-610	1 1/4" MIP Adapter 351-05-210
301-M5H5	1 1/4"	1 1/4" FC Adapter 351-05-510	1 1/4" FC Adapter 351-05-910
301-M5M5	1 1/4"	1 1/4" FIP Adapter 351-05-410	1 1/4" FIP Adapter 351-05-110
301-M6B6	1 1/2"	1 1/2" 110 Compression Connection 351-05-712	
301-M6F6	1 1/2"	1 1/2" MIP Adapter 351-05-612	1 1/2" MIP Adapter 351-05-212
301-M6H6	1 1/2"	1 1/2" 110 Compression Connection 351-05-712	
301-M6H7	2"	2" 110 Compression Connection 351-05-716	
301-M6M6	1 1/2"	1 1/2" FIP Adapter 351-05-412	1 1/2" FIP Adapter 351-05-112
301-M7C7	2"	2" FC Adapter 351-05-516	2" FC Adapter 351-05-916
301-M7F7	2"	2" MIP Adapter 351-05-616	2" MIP Adapter 351-05-216
301-M7H7	2"	2" 110 Compression Connection 351-05-716	
301-M7M7	2"	2" FIP Adapter 351-05-416	2" FIP Adapter 351-05-116
302-A3B3	3/4"	3/4" FC Adapter 351-05-506	3/4" FC Adapter 351-05-906
302-A3B4	1"	1" FC Adapter 351-05-508	1" FC Adapter 351-05-908
302-A3C3	3/4"	3/4" FC Adapter 351-05-506	3/4" FC Adapter 351-05-906
302-A3CE3	3/4"	3/4" FC Adapter 351-05-506	3/4" FC Adapter 351-05-906
302-A3F3	3/4"	3/4" MIP Adapter 351-05-606	3/4" MIP Adapter 351-05-206
302-A3GJ3	3/4"	3/4" FC Adapter 351-05-506	3/4" FC Adapter 351-05-906
302-A3GJ4	1"	1" FC Adapter 351-05-508	1" FC Adapter 351-05-908
302-A3H3	3/4"	3/4" FC Adapter 351-05-506	3/4" FC Adapter 351-05-906
302-A3H3I	3/4"	3/4" FC Adapter 351-05-506	3/4" FC Adapter 351-05-906
302-A3H4	1"	1" FC Adapter 351-05-508	1" FC Adapter 351-05-908
302-A3HE3	3/4"	3/4" FC Adapter 351-05-506	3/4" FC Adapter 351-05-906
302-A3J3	3/4"	3/4" FC Adapter 351-05-506	3/4" FC Adapter 351-05-906
302-A3J4	1"	1" FC Adapter 351-05-508	1" FC Adapter 351-05-908
302-A3K3	3/4"	3/4" FC Adapter 351-05-506	3/4" FC Adapter 351-05-906
302-A3M3	3/4"	3/4" FIP Adapter 351-05-406	3/4" MIP Adapter 351-05-206
302-A3PV3	3/4"	3/4" FC Adapter 351-05-506	3/4" FC Adapter 351-05-906
302-A3PV4	1"	1" FC Adapter 351-05-508	1" FC Adapter 351-05-908
302-A3Z3	3/4"	3/4" FC Adapter 351-05-506	3/4" FC Adapter 351-05-906
302-A3Z4	1"	1" FC Adapter 351-05-508	1" FC Adapter 351-05-908
302-A4B4	1"	1" FC Adapter 351-05-508	1" FC Adapter 351-05-908
302-A4C4	1"	1" FC Adapter 351-05-508	1" FC Adapter 351-05-908
302-A4CE4	1"	1" FC Adapter 351-05-508	1" FC Adapter 351-05-908
302-A4F4	1"	1" FIP Adapter 351-05-408	1" FIP Adapter 351-05-108
302-A4GJ4	1"	1" FC Adapter 351-05-508	1" FC Adapter 351-05-908
302-A4H4	1"	1" FC Adapter 351-05-508	1" FC Adapter 351-05-908
302-A4HAI	1"	1" FC Adapter 351-05-508	1" FC Adapter 351-05-908
302-A4HE4	1"	1" FC Adapter 351-05-508	1" FC Adapter 351-05-908
302-A4J4	1"	1" FC Adapter 351-05-508	1" FC Adapter 351-05-908
302-A4K4	1"	1" FC Adapter 351-05-508	1" FC Adapter 351-05-908
302-A4M4	1"	1" FIP Adapter 351-05-408	1" MIP Adapter 351-05-208
302-A4Z4	1"	1" FC Adapter 351-05-508	1" FC Adapter 351-05-908

# Cambridge

Corp	Outlet Size	TapMate Too	TapMate Too - HDPE
302-M3B3	3/4"	3/4" FC Adapter 351-05-506	3/4" FC Adapter 351-05-906
302-M3B4	1"	1" FC Adapter 351-05-508	1" FC Adapter 351-05-908
302-M3GJ3	3/4"	3/4" FC Adapter 351-05-506	3/4" FC Adapter 351-05-906
302-M3GJ4	1"	1" FC Adapter 351-05-508	1" FC Adapter 351-05-908
302-M3H3	3/4"	3/4" FC Adapter 351-05-506	3/4" FC Adapter 351-05-906
302-M3H4	1"	1" FC Adapter 351-05-508	1" FC Adapter 351-05-908
302-M4B4	1"	1" FC Adapter 351-05-508	1" FC Adapter 351-05-908
302-M4GJ4	1"	1" FC Adapter 351-05-508	1" FC Adapter 351-05-908
302-M4H4	1"	1" FC Adapter 351-05-508	1" FC Adapter 351-05-908
311-A3B3	3/4"	3/4" FC Adapter 351-05-506	3/4" FC Adapter 351-05-906
311-A3C3	3/4"	3/4" FC Adapter 351-05-506	3/4" FC Adapter 351-05-906
311-A3F3	3/4"	3/4" MIP Adapter 351-05-606	3/4" MIP Adapter 351-05-206
311-A3H3	3/4"	3/4" FC Adapter 351-05-506	3/4" FC Adapter 351-05-906
311-A3J3	3/4"	3/4" FC Adapter 351-05-506	3/4" FC Adapter 351-05-906
311-A3PV3	3/4"	3/4" FC Adapter 351-05-506	3/4" FC Adapter 351-05-906
311-A3Z3	3/4"	3/4" FC Adapter 351-05-506	3/4" FC Adapter 351-05-906
311-A4B4	1"	1" FC Adapter 351-05-508	1" FC Adapter 351-05-908
311-A4C4	1"	1" FC Adapter 351-05-508	1" FC Adapter 351-05-908
311-A4F4	1"	1" MIP Adapter 351-05-608	1" MIP Adapter 351-05-208
311-A4H4	1"	1" FC Adapter 351-05-508	1" FC Adapter 351-05-908
311-A4J4	1"	1" FC Adapter 351-05-508	1" FC Adapter 351-05-908
311-A4M4	1"	1" FIP Adapter 351-05-408	1" FIP Adapter 351-05-108
311-A4PV4	1"	1" FC Adapter 351-05-508	1" FC Adapter 351-05-908
311-A4Z4	1"	1" FC Adapter 351-05-508	1" FC Adapter 351-05-908
311-A5C5	1 1/4"	1 1/4" FC Adapter 351-05-510	1 1/4" FC Adapter 351-05-910
311-A5F5	1 1/4"	1 1/4" MIP Adapter 351-05-610	1 1/4" MIP Adapter 351-05-210
311-A5H5	1 1/4"	1 1/4" FC Adapter 351-05-510	1 1/4" FC Adapter 351-05-910
311-A5M5	1 1/4"	1 1/4" FIP Adapter 351-05-410	1 1/4" FIP Adapter 351-05-110
311-A6B6	1 1/2"	1 1/2" 110 Compression Connection 351-05-712	
311-A6C6	1 1/2"	1 1/2" FC Adapter 351-05-512	1 1/2" FC Adapter 351-05-912
311-A6F6	1 1/2"	1 1/2" MIP Adapter 351-05-612	1 1/2" MIP Adapter 351-05-212
311-A6H6	1 1/2"	1 1/2" 110 Compression Connection 351-05-712	
311-A6H7	2"	2" 110 Compression Connection 351-05-716	
311-A6M6	1 1/2"	1 1/2" FIP Adapter 351-05-412	1 1/2" FIP Adapter 351-05-112
311-A7B7	2"	2" 110 Compression Connection 351-05-716	
311-A7C7	2"	2" FC Adapter 351-05-516	2" FC Adapter 351-05-916
311-A7F7	2"	2" MIP Adapter 351-05-616	2" MIP Adapter 351-05-216
311-A7H7	2"	2" 110 Compression Connection 351-05-716	
311-A7M7	2"	2" FIP Adapter 351-05-416	2" FIP Adapter 351-05-116
311-M3B3	3/4"	3/4" FC Adapter 351-05-506	3/4" FC Adapter 351-05-906
311-M3C3	3/4"	3/4" FC Adapter 351-05-506	3/4" FC Adapter 351-05-906
311-M3F3	3/4"	3/4" MIP Adapter 351-05-606	3/4" MIP Adapter 351-05-206
311-M3H3	3/4"	3/4" FC Adapter 351-05-506	3/4" FC Adapter 351-05-906
311-M3J3	3/4"	3/4" FC Adapter 351-05-506	3/4" FC Adapter 351-05-906
311-M3PV3	3/4"	3/4" FC Adapter 351-05-506	3/4" FC Adapter 351-05-906
311-M3Z3	3/4"	3/4" FC Adapter 351-05-506	3/4" FC Adapter 351-05-906
311-M4B4	1"	1" FC Adapter 351-05-508	1" FC Adapter 351-05-908
311-M4C4	1"	1" FC Adapter 351-05-508	1" FC Adapter 351-05-908
311-M4F4	1"	1" MIP Adapter 351-05-608	1" MIP Adapter 351-05-208
311-M4H4	1"	1" FC Adapter 351-05-508	1" FC Adapter 351-05-908
311-M4J4	1"	1" FC Adapter 351-05-508	1" FC Adapter 351-05-908
311-M4M4	1"	1" FIP Adapter 351-05-408	1" FIP Adapter 351-05-108
311-M4PV4	1"	1" FC Adapter 351-05-508	1" FC Adapter 351-05-908
311-M4Z4	1"	1" FC Adapter 351-05-508	1" FC Adapter 351-05-908

# Cambridge

Corp	Outlet Size	TapMate Too	TapMate Too - HDPE
311-M5C5	1 1/4"	1 1/4" FC Adapter 351-05-510	1 1/4" FC Adapter 351-05-910
311-M5F5	1 1/4"	1 1/4" MIP Adapter 351-05-610	1 1/4" MIP Adapter 351-05-210
311-M5H5	1 1/4"	1 1/4" FC Adapter 351-05-510	1 1/4" FC Adapter 351-05-910
311-M5M5	1 1/4"	1 1/4" FIP Adapter 351-05-410	1 1/4" FIP Adapter 351-05-110
311-M6B6	1 1/2"	1 1/2" 110 Compression Connection 351-05-712	
311-M6C6	1 1/2"	1 1/2" FC Adapter 351-05-512	1 1/2" FC Adapter 351-05-912
311-M6F6	1 1/2"	1 1/2" MIP Adapter 351-05-612	1 1/2" MIP Adapter 351-05-212
311-M6H6	1 1/2"	1 1/2" 110 Compression Connection 351-05-712	
311-M6M6	1 1/2"	1 1/2" FIP Adapter 351-05-412	1 1/2" FIP Adapter 351-05-112
311-M7B7	2"	2" 110 Compression Connection 351-05-716	
311-M7C7	2"	2" FC Adapter 351-05-516	2" FC Adapter 351-05-916
311-M7F7	2"	2" MIP Adapter 351-05-616	2" MIP Adapter 351-05-216
311-M7H7	2"	2" 110 Compression Connection 351-05-716	
311-M7M7	2"	2" FIP Adapter 351-05-416	2" FIP Adapter 351-05-116

Rev 7-5-2010

# Ford

Corp	Outlet Size	TapMate Too	TapMate Too - HDPE
F400-13	3/4"	3/4" FIP Adapter 351-05-406	3/4" FIP Adapter 351-05-106
F400-3	3/4"	3/4" FIP Adapter 351-05-406	3/4" FIP Adapter 351-05-106
F400-34	1"	1" FIP Adapter 351-05-408	1" FIP Adapter 351-05-108
F400-4	1"	1" FIP Adapter 351-05-408	1" FIP Adapter 351-05-108
F500-1	3/4"	3/4" FIP Adapter 351-05-406	3/4" FIP Adapter 351-05-106
F500-13	3/4"	3/4" FIP Adapter 351-05-406	3/4" FIP Adapter 351-05-106
F500-3	3/4"	3/4" FIP Adapter 351-05-406	3/4" FIP Adapter 351-05-106
F500-4	1"	1" FIP Adapter 351-05-408	1" FIP Adapter 351-05-108
F600-23	3/4"	3/4" FC Adapter 351-05-506	3/4" FC Adapter 351-05-906
F600-3	3/4"	3/4" FC Adapter 351-05-506	3/4" FC Adapter 351-05-906
F600-34	1"	1" FC Adapter 351-05-508	1" FC Adapter 351-05-908
F600-4	1"	1" FC Adapter 351-05-508	1" FC Adapter 351-05-908
F600-45	1 1/4"	1 1/4" FC Adapter 351-05-510	1 1/4" FC Adapter 351-05-910
F700-3	3/4"	3/4" FC Adapter 351-05-506	3/4" FC Adapter 351-05-906
F700-34	1"	1" FC Adapter 351-05-508	1" FC Adapter 351-05-908
F700-4	1"	1" FC Adapter 351-05-508	1" FC Adapter 351-05-908
F700-45	1 1/4"	1 1/4" FC Adapter 351-05-510	1 1/4" FC Adapter 351-05-910
F800-1	3/4"	3/4" FIP Adapter 351-05-406	3/4" FIP Adapter 351-05-106
F800-2	3/4"	3/4" FIP Adapter 351-05-406	3/4" FIP Adapter 351-05-106
F800-3	1"	1" FIP Adapter 351-05-408	1" FIP Adapter 351-05-108
F800-4	1 1/4"	1 1/4" FIP Adapter 351-05-410	1 1/4" FIP Adapter 351-05-110
F900-1	3/4"	3/4" FIP Adapter 351-05-406	3/4" FIP Adapter 351-05-106
F900-3	3/4"	3/4" FC Adapter 351-05-506	3/4" FC Adapter 351-05-906
F900-4	1 1/4"	1 1/4" FIP Adapter 351-05-410	1 1/4" FIP Adapter 351-05-110
F1000-23	3/4"	3/4" FC Adapter 351-05-506	3/4" FC Adapter 351-05-906
F1000-3	3/4"	3/4" FC Adapter 351-05-506	3/4" FC Adapter 351-05-906
F1000-34	1"	1" FC Adapter 351-05-508	1" FC Adapter 351-05-908
F1000-3-Q	3/4"	3/4" FC Adapter 351-05-506	3/4" FC Adapter 351-05-906
F1000-4	1"	1" FC Adapter 351-05-508	1" FC Adapter 351-05-908
F1000-45	1 1/4"	1 1/4" FC Adapter 351-05-510	1 1/4" FC Adapter 351-05-910
F1000-4-Q	1"	1" FC Adapter 351-05-508	1" FC Adapter 351-05-908
F1001-3	1"	1" FC Adapter 351-05-508	1" FC Adapter 351-05-908
F1001-34	1 1/4"	1 1/4" FC Adapter 351-05-510	1 1/4" FC Adapter 351-05-910
F1001-3-Q	3/4"	3/4" 110 Compression Connection 351-05-706	
F1001-4	1 1/4"	1 1/4" FC Adapter 351-05-510	1 1/4" FC Adapter 351-05-910
F1001-4-Q	1"	1" 110 Compression Connection 351-05-708	
F1002-3	1"	1" FC Adapter 351-05-508	1" FC Adapter 351-05-908
F1002-34	1 1/4"	1 1/4" FC Adapter 351-05-510	1 1/4" FC Adapter 351-05-910
F1002-4	1 1/4"	1 1/4" FC Adapter 351-05-510	1 1/4" FC Adapter 351-05-910
F1100-3	3/4"	3/4" FC Adapter 351-05-506	3/4" FC Adapter 351-05-906
F1100-34	1"	1" FC Adapter 351-05-508	1" FC Adapter 351-05-908
F1100-3-Q	3/4"	3/4" FC Adapter 351-05-506	3/4" FC Adapter 351-05-906
F1100-4	1"	1" FC Adapter 351-05-508	1" FC Adapter 351-05-908
F1100-45	1 1/4"	1 1/4" FC Adapter 351-05-510	1 1/4" FC Adapter 351-05-910
F1100-4-Q	1"	1" FC Adapter 351-05-508	1" FC Adapter 351-05-908
F1101-3	1"	1" FC Adapter 351-05-508	1" FC Adapter 351-05-908
F1101-34	1 1/4"	1 1/4" FC Adapter 351-05-510	1 1/4" FC Adapter 351-05-910
F1101-3-Q	3/4"	3/4" 110 Compression Connection 351-05-706	
F1101-4	1 1/4"	1 1/4" FC Adapter 351-05-510	1 1/4" FC Adapter 351-05-910
F1101-4-Q	1 1/4"	1 1/4" 110 Compression Connection 351-05-710	
F1102-3	1"	1" FC Adapter 351-05-508	1" FC Adapter 351-05-908
F1102-4	1 1/4"	1 1/4" FC Adapter 351-05-510	1 1/4" FC Adapter 351-05-910
F1600-3	3/4"	3/4" MIP Adapter 351-05-606	3/4" MIP Adapter 351-05-206
F1600-4	1"	1" MIP Adapter 351-05-608	1" MIP Adapter 351-05-208

# Ford

Corp	Outlet Size	TapMate Too	TapMate Too - HDPE
F1700-3	3/4"	3/4" MIP Adapter 351-05-606	3/4" MIP Adapter 351-05-206
F1700-4	1"	1" MIP Adapter 351-05-608	1" MIP Adapter 351-05-208
FB400-3	3/4"	3/4" FIP Adapter 351-05-406	3/4" FIP Adapter 351-05-106
FB400-4	1"	1" FIP Adapter 351-05-408	1" FIP Adapter 351-05-108
FB400-5	1 1/4"	1 1/4" FIP Adapter 351-05-410	1 1/4" FIP Adapter 351-05-110
FB400-6	1 1/2"	1 1/2" FIP Adapter 351-05-412	1 1/2" FIP Adapter 351-05-112
FB400-7	2"	2" FIP Adapter 351-05-416	2" FIP Adapter 351-05-116
FB500-3	3/4"	3/4" FIP Adapter 351-05-406	3/4" FIP Adapter 351-05-106
FB500-4	1"	1" FIP Adapter 351-05-408	1" FIP Adapter 351-05-108
FB500-5	1 1/4"	1 1/4" FIP Adapter 351-05-410	1 1/4" FIP Adapter 351-05-110
FB500-6	1 1/2"	1 1/2" FIP Adapter 351-05-412	1 1/2" FIP Adapter 351-05-112
FB500-7	2"	2" FIP Adapter 351-05-416	2" FIP Adapter 351-05-116
FB600-3	3/4"	3/4" FC Adapter 351-05-506	3/4" FC Adapter 351-05-906
FB600-34	1"	1" FC Adapter 351-05-508	1" FC Adapter 351-05-908
FB600-4	1"	1" FC Adapter 351-05-508	1" FC Adapter 351-05-908
FB600-5	1 1/4"	1 1/4" FC Adapter 351-05-510	1 1/4" FC Adapter 351-05-910
FB700-3	3/4"	3/4" FC Adapter 351-05-506	3/4" FC Adapter 351-05-906
FB700-34	1"	1" FC Adapter 351-05-508	1" FC Adapter 351-05-908
FB700-4	1"	1" FC Adapter 351-05-508	1" FC Adapter 351-05-908
FB700-5	1 1/4"	1 1/4" FC Adapter 351-05-510	1 1/4" FC Adapter 351-05-910
FB800-3	1"	1" FIP Adapter 351-05-408	1" FIP Adapter 351-05-108
FB800-4	1 1/4"	1 1/4" FIP Adapter 351-05-410	1 1/4" FIP Adapter 351-05-110
FB800-5	1 1/2"	1 1/2" FIP Adapter 351-05-412	1 1/2" FIP Adapter 351-05-112
FB800-6	2"	2" FIP Adapter 351-05-416	2" FIP Adapter 351-05-116
FB800-7	2 1/2"	2 1/2" FIP Adapter 351-05-420	
FB900-3	1"	1" FIP Adapter 351-05-408	1" FIP Adapter 351-05-108
FB900-4	1 1/4"	1 1/4" FIP Adapter 351-05-410	1 1/4" FIP Adapter 351-05-110
FB900-5	1 1/2"	1 1/2" FIP Adapter 351-05-412	1 1/2" FIP Adapter 351-05-112
FB900-6	2"	2" FIP Adapter 351-05-416	2" FIP Adapter 351-05-116
FB900-7	2 1/4"	2 1/2" FIP Adapter 351-05-420	
FB1000-3	3/4"	3/4" FC Adapter 351-05-506	3/4" FC Adapter 351-05-906
FB1000-34	1"	1" FC Adapter 351-05-508	1" FC Adapter 351-05-908
FB1000-3-Q	3/4"	3/4" FC Adapter 351-05-506	3/4" FC Adapter 351-05-906
FB1000-4	1"	1" FC Adapter 351-05-508	1" FC Adapter 351-05-908
FB1000-45	1 1/4"	1 1/4" FC Adapter 351-05-510	1 1/4" FC Adapter 351-05-910
FB1000-4-Q	1"	1" FC Adapter 351-05-508	1" FC Adapter 351-05-908
FB1000-5	1 1/4"	1 1/4" FC Adapter 351-05-510	1 1/4" FC Adapter 351-05-910
FB1000-56	1 1/2"	1 1/2" FC Adapter 351-05-512	1 1/2" FC Adapter 351-05-912
FB1000-5-Q	1 1/4"	1 1/4" 110 Compression Connection 351-05-710	
FB1000-6	1 1/2"	1 1/2" FC Adapter 351-05-512	1 1/2" FC Adapter 351-05-912
FB1000-67	2"	2" FC Adapter 351-05-516	2" FC Adapter 351-05-916
FB1000-6-Q	1 1/2"	1 1/2" 110 Compression Connection 351-05-712	
FB1000-7	2"	2" FC Adapter 351-05-516	2" FC Adapter 351-05-916
FB1000-7-Q	2"	2" 110 Compression Connection 351-05-716	
FB1001-3	1	1" FC Adapter 351-05-508	1" FC Adapter 351-05-908
FB1001-3-Q	3/4"	3/4" 110 Compression Connection 351-05-706	
FB1001-4	1"	1" FC Adapter 351-05-508	1" FC Adapter 351-05-908
FB1001-4-Q	1"	1" 110 Compression Connection 351-05-708	
FB1001-5	1 1/4"	1 1/4" FC Adapter 351-05-510	1 1/4" FC Adapter 351-05-910
FB1001-6-IDR7	1 1/2"	2" FC Adapter 351-05-516	2" FC Adapter 351-05-916
FB1001-7-IDR7	2"	2" FC Adapter 351-05-516	2" FC Adapter 351-05-916
FB1002-3	1"	1" FC Adapter 351-05-508	1" FC Adapter 351-05-908
FB1002-4	1 1/4"	1 1/4" FC Adapter 351-05-510	1 1/4" FC Adapter 351-05-910
FB1002-6	1 1/2"	1 1/2" FC Adapter 351-05-512	1 1/2" FC Adapter 351-05-912
FB1002-7	2"	2" FC Adapter 351-05-516	2" FC Adapter 351-05-916

# Ford

Corp	Outlet Size	TapMate Too	TapMate Too - HDPE
FB1100-3	3/4"	3/4" FC Adapter 351-05-506	3/4" FC Adapter 351-05-906
FB1100-34	1"	1" FC Adapter 351-05-508	1" FC Adapter 351-05-908
FB1100-3-Q	3/4"	3/4" FC Adapter 351-05-506	3/4" FC Adapter 351-05-906
FB1100-4	1"	1" FC Adapter 351-05-508	1" FC Adapter 351-05-908
FB1100-45	1 1/4"	1 1/4" FC Adapter 351-05-510	1 1/4" FC Adapter 351-05-910
FB1100-4-Q	1"	1" FC Adapter 351-05-508	1" FC Adapter 351-05-908
FB1100-5	1 1/4"	1 1/4" FC Adapter 351-05-510	1 1/4" FC Adapter 351-05-910
FB1100-56	1 1/2"	1 1/2" FC Adapter 351-05-512	1 1/2" FC Adapter 351-05-912
FB1100-6	1 1/2"	1 1/2" FC Adapter 351-05-512	1 1/2" FC Adapter 351-05-912
FB1100-67	2"	2" FC Adapter 351-05-516	2" FC Adapter 351-05-916
FB1100-6-Q	1 1/2"	1 1/2" 110 Compression Connection 351-05-712	
FB1100-7	2"	2" FC Adapter 351-05-516	2" FC Adapter 351-05-916
FB1100-7-Q	2"	2" 110 Compression Connection 351-05-716	
FB1101-3	1"	1" FC Adapter 351-05-508	1" FC Adapter 351-05-908
FB1101-3-Q	1 1/2"	3/4" 110 Compression Connection 351-05-706	
FB1101-4	1 1/4"	1 1/4" FC Adapter 351-05-510	1 1/4" FC Adapter 351-05-910
FB1101-4-Q	1 1/4"	1 1/4" 110 Compression Connection 351-05-710	
FB1101-6-IDR7	1 1/2"	2" FC Adapter 351-05-516	2" FC Adapter 351-05-916
FB1101-7-IDR7	2"	2" FC Adapter 351-05-516	2" FC Adapter 351-05-916
FB1102-4	1"	1" FC Adapter 351-05-508	1" FC Adapter 351-05-908
FB1102-4	1 1/4"	1 1/4" FC Adapter 351-05-510	1 1/4" FC Adapter 351-05-910
FB1102-6	1 1/2"	1 1/2" FC Adapter 351-05-512	1 1/2" FC Adapter 351-05-912
FB1102-7	2"	2" FC Adapter 351-05-516	2" FC Adapter 351-05-916
FB1600-3	1 1/2"	3/4" MIP Adapter 351-05-606	3/4" MIP Adapter 351-05-206
FB1600-4	1"	1" MIP Adapter 351-05-608	1" MIP Adapter 351-05-208
FB1600-5	1 1/4"	1 1/4" MIP Adapter 351-05-610	1 1/4" MIP Adapter 351-05-210
FB1600-56	1 1/2"	1 1/2" MIP Adapter 351-05-612	1 1/2" MIP Adapter 351-05-212
FB1600-6	1 1/2"	1 1/2" MIP Adapter 351-05-612	1 1/2" MIP Adapter 351-05-212
FB1600-67	2"	2" MIP Adapter 351-05-616	2" MIP Adapter 351-05-216
FB1600-7	2"	2" MIP Adapter 351-05-616	2" MIP Adapter 351-05-216
FB1700-3	3/4"	3/4" MIP Adapter 351-05-606	3/4" MIP Adapter 351-05-206
FB1700-4	1"	1" MIP Adapter 351-05-608	1" MIP Adapter 351-05-208
FB1700-5	1 1/4"	1 1/4" MIP Adapter 351-05-610	1 1/4" MIP Adapter 351-05-210
FB1700-56	1 1/2"	1 1/2" MIP Adapter 351-05-612	1 1/2" MIP Adapter 351-05-212
FB1700-6	1 1/2"	1 1/2" MIP Adapter 351-05-612	1 1/2" MIP Adapter 351-05-212
FB1700-67	2"	2" MIP Adapter 351-05-616	2" MIP Adapter 351-05-216
FB1700-7	2"	2" MIP Adapter 351-05-616	2" MIP Adapter 351-05-216

# Jones

Corp	Outlet Size	TapMate Too	TapMate Too - HDPE
J-41	3/4"	3/4" FIP Adapter 351-05-406	3/4" FIP Adapter 351-05-106
J-41	1"	1" FIP Adapter 351-05-408	1" FIP Adapter 351-05-108
J-41	1 1/4"	1 1/4" FIP Adapter 351-05-410	1 1/4" FIP Adapter 351-05-110
J-45	3/4"	3/4" MIP Adapter 351-05-606	3/4" MIP Adapter 351-05-206
J-45	1"	1" MIP Adapter 351-05-608	1" MIP Adapter 351-05-208
J-45	1 1/2"	1 1/2" MIP Adapter 351-05-612	1 1/2" MIP Adapter 351-05-212
J-45	2"	2" MIP Adapter 351-05-616	2" MIP Adapter 351-05-216
J-50	3/4"	3/4" MIP Adapter 351-05-606	3/4" MIP Adapter 351-05-206
J-50	1"	1" MIP Adapter 351-05-608	1" MIP Adapter 351-05-208
J-51	3/4"	3/4" MIP Adapter 351-05-606	3/4" MIP Adapter 351-05-206
J-51	1"	1" MIP Adapter 351-05-608	1" MIP Adapter 351-05-208
J-89	3/4"	3/4" FIP Adapter 351-05-406	3/4" FIP Adapter 351-05-106
J-89	1"	1" FIP Adapter 351-05-408	1" FIP Adapter 351-05-108
J-89	1 1/4"	1 1/4" FIP Adapter 351-05-410	1 1/4" FIP Adapter 351-05-110
J-89	1 1/2"	1 1/2" FIP Adapter 351-05-412	1 1/2" FIP Adapter 351-05-112
J-89	2"	2" FIP Adapter 351-05-416	2" FIP Adapter 351-05-116
J-1500	3/4"	3/4" FC Adapter 351-05-506	3/4" FC Adapter 351-05-906
J-1500	1"	1" FC Adapter 351-05-508	1" FC Adapter 351-05-908
J-1504	3/4"	3/4" FC Adapter 351-05-506	3/4" FC Adapter 351-05-906
J-1504	1"	1" FC Adapter 351-05-508	1" FC Adapter 351-05-908
J-1505	3/4"	3/4" FC Adapter 351-05-506	3/4" FC Adapter 351-05-906
J-1505	1"	1" FC Adapter 351-05-508	1" FC Adapter 351-05-908
J-1929	3/4"	3/4" FC Adapter 351-05-506	3/4" FC Adapter 351-05-906
J-1929	1"	1" FC Adapter 351-05-508	1" FC Adapter 351-05-908
J-1929	1 1/2"	1 1/2" FC Adapter 351-05-512	1 1/2" FC Adapter 351-05-912
J-1929	2"	2" FC Adapter 351-05-516	2" FC Adapter 351-05-916
J-1930	3/4"	3/4" FC Adapter 351-05-506	3/4" FC Adapter 351-05-906
J-1930	1"	1" FC Adapter 351-05-508	1" FC Adapter 351-05-908
J-1930	1 1/2"	1 1/2" FC Adapter 351-05-512	1 1/2" FC Adapter 351-05-912
J-1930	2"	2" FC Adapter 351-05-516	2" FC Adapter 351-05-916
J-1931	3/4"	3/4" MIP Adapter 351-05-606	3/4" MIP Adapter 351-05-206
J-1931	1"	1" MIP Adapter 351-05-608	1" MIP Adapter 351-05-208
J-1931	1 1/2"	1 1/2" MIP Adapter 351-05-612	1 1/2" MIP Adapter 351-05-212
J-1931	2"	2" MIP Adapter 351-05-616	2" MIP Adapter 351-05-216
J-1932	3/4"	3/4" MIP Adapter 351-05-606	3/4" MIP Adapter 351-05-206
J-1932	1"	1" MIP Adapter 351-05-608	1" MIP Adapter 351-05-208
J-1932	1 1/2"	1 1/2" MIP Adapter 351-05-612	1 1/2" MIP Adapter 351-05-212
J-1932	2"	2" MIP Adapter 351-05-616	2" MIP Adapter 351-05-216
J-1935	3/4"	3/4" FC Adapter 351-05-506	3/4" FC Adapter 351-05-906
J-1935	1"	1" FC Adapter 351-05-508	1" FC Adapter 351-05-908
J-1935	1 1/2"	1 1/2" FC Adapter 351-05-512	1 1/2" FC Adapter 351-05-912
J-1935	2"	2" FC Adapter 351-05-516	2" FC Adapter 351-05-916
J-1935SG	1 1/2"	1 1/2" Jones SG Adapter 351-05-812	← Old style Super Grip thread
J-1935SG	2"	2" Jones SG Adapter 351-05-816	← Old style Super Grip thread
J-1935SG	3/4"	3/4" 110 Compression Connection 351-05-706	
J-1935SG	1"	1" 110 Compression Connection 351-05-708	
J-1935SG	1 1/2"	1 1/2" 110 Compression Connection 351-05-712	
J-1935SG	2"	2" 110 Compression Connection 351-05-716	

Rev 7-5-2010

## Attention

Ask your customer if they are getting the old style Super Grip outlet threads or the 110 Compression Connection threads.

# Jones

Corp	Outlet Size	TapMate Too	TapMate Too - HDPE
J-1936	3/4"	3/4" FC Adapter 351-05-506	3/4" FC Adapter 351-05-906
J-1936	1"	1" FC Adapter 351-05-508	1" FC Adapter 351-05-908
J-1936SG	3/4"	3/4" 110 Compression Connection 351-05-706	
J-1936SG	1"	1" 110 Compression Connection 351-05-708	
J-1937	3/4"	3/4" FC Adapter 351-05-506	3/4" FC Adapter 351-05-906
J-1937	1"	1" FC Adapter 351-05-508	1" FC Adapter 351-05-908
J-1937	1 1/2"	1 1/2" FC Adapter 351-05-512	1 1/2" FC Adapter 351-05-912
J-1937	2"	2" FC Adapter 351-05-516	2" FC Adapter 351-05-916
J-1937SG	3/4"	3/4" 110 Compression Connection 351-05-706	
J-1937SG	1"	1" 110 Compression Connection 351-05-708	
J-1937SG	1 1/2"	1 1/2" 110 Compression Connection 351-05-712	
J-1937SG	2"	2" 110 Compression Connection 351-05-716	
J-1938	3/4"	3/4" FC Adapter 351-05-506	3/4" FC Adapter 351-05-906
J-1938	1"	1" FC Adapter 351-05-508	1" FC Adapter 351-05-908
J1938SGP	3/4"	3/4" 110 Compression Connection 351-05-706	
J1938SGP	1"	1" 110 Compression Connection 351-05-708	
J-1943	3/4"	3/4" FIP Adapter 351-05-406	3/4" FIP Adapter 351-05-106
J-1943	1"	1" FIP Adapter 351-05-408	1" FIP Adapter 351-05-108
J-1943	1 1/2"	1 1/2" FIP Adapter 351-05-412	1 1/2" FIP Adapter 351-05-112
J-1943	2"	2" FIP Adapter 351-05-416	2" FIP Adapter 351-05-116
J-1944	3/4"	3/4" FIP Adapter 351-05-406	3/4" FIP Adapter 351-05-106
J-1944	1"	1" FIP Adapter 351-05-408	1" FIP Adapter 351-05-108
J-1944	1 1/2"	1 1/2" FIP Adapter 351-05-412	1 1/2" FIP Adapter 351-05-112
J-1944	2"	2" FIP Adapter 351-05-416	2" FIP Adapter 351-05-116
J-1953	1 1/2"	1 1/2" FC Adapter 351-05-512	1 1/2" FC Adapter 351-05-912
J-1953	2"	2" FC Adapter 351-05-516	2" FC Adapter 351-05-916
J-1954	1 1/2"	1 1/2" FC Adapter 351-05-512	1 1/2" FC Adapter 351-05-912
J-1954	2"	2" FC Adapter 351-05-516	2" FC Adapter 351-05-916
J-1955	1 1/2"	1 1/2" MIP Adapter 351-05-612	1 1/2" MIP Adapter 351-05-212
J-1955	2"	2" MIP Adapter 351-05-616	2" MIP Adapter 351-05-216
J-1956	1 1/2"	1 1/2" MIP Adapter 351-05-612	1 1/2" MIP Adapter 351-05-212
J-1956	2"	2" MIP Adapter 351-05-616	2" MIP Adapter 351-05-216
J-1957	1 1/2"	1 1/2" FC Adapter 351-05-512	1 1/2" FC Adapter 351-05-912
J-1957	2"	2" FC Adapter 351-05-516	2" FC Adapter 351-05-916
J-1959	1 1/2"	1 1/2" FC Adapter 351-05-512	1 1/2" FC Adapter 351-05-912
J-1959	2"	2" FC Adapter 351-05-516	2" FC Adapter 351-05-916
J-1961	1 1/2"	1 1/2" FIP Adapter 351-05-412	1 1/2" FIP Adapter 351-05-112
J-1961	2"	2" FIP Adapter 351-05-416	2" FIP Adapter 351-05-116
J-1977	3/4"	3/4" FC Adapter 351-05-506	3/4" FC Adapter 351-05-906
J-1977	1"	1" FC Adapter 351-05-508	1" FC Adapter 351-05-908
J-1977	1 1/2"	1 1/2" FC Adapter 351-05-512	1 1/2" FC Adapter 351-05-912
J-1977	2"	2" FC Adapter 351-05-516	2" FC Adapter 351-05-916
J-1985	3/4"	3/4" FC Adapter 351-05-506	3/4" FC Adapter 351-05-906
J-1985	1"	1" FC Adapter 351-05-508	1" FC Adapter 351-05-908
J-1985	1 1/2"	1 1/2" FC Adapter 351-05-512	1 1/2" FC Adapter 351-05-912
J-1985	2"	2" FC Adapter 351-05-516	2" FC Adapter 351-05-916
J-1991	3/4"	3/4" 110 Compression Connection 351-05-706	
J-1991	1"	1" 110 Compression Connection 351-05-708	

Rev 7-5-2010

# Jones

Corp	Outlet Size	TapMate Too	TapMate Too - HDPE
J-1993	1"	1" MIP Adapter 351-05-608	1" MIP Adapter 351-05-208
J-3401	3/4"	3/4" FC Adapter 351-05-506	3/4" FC Adapter 351-05-906
J-3401	1"	1" FC Adapter 351-05-508	1" FC Adapter 351-05-908
J-3401SG	3/4"	3/4" 110 Compression Connection 351-05-706	
J-3401SG	1"	1" 110 Compression Connection 351-05-708	
J-3402	3/4"	3/4" FC Adapter 351-05-506	3/4" FC Adapter 351-05-906
J-3402	1"	1" FC Adapter 351-05-508	1" FC Adapter 351-05-908
J-3402SGP	3/4"	3/4" 110 Compression Connection 351-05-706	
J-3402SGP	1"	1" 110 Compression Connection 351-05-708	
J-3403	3/4"	3/4" FC Adapter 351-05-506	3/4" FC Adapter 351-05-906
J-3403	1"	1" FC Adapter 351-05-508	1" FC Adapter 351-05-908
J-3403SG	3/4"	3/4" 110 Compression Connection 351-05-706	
J-3403SG	1"	1" 110 Compression Connection 351-05-708	
J-3404	3/4"	3/4" FC Adapter 351-05-506	3/4" FC Adapter 351-05-906
J-3404	1"	1" FC Adapter 351-05-508	1" FC Adapter 351-05-908
J-3403SGP	3/4"	3/4" 110 Compression Connection 351-05-706	
J-3403SGP	1"	1" 110 Compression Connection 351-05-708	

Rev 7-5-2010

# Mueller

Corp	Outlet Size	TapMate Too	TapMate Too - HDPE
B-20003	3/4"	3/4" FIP Adapter 351-05-406	3/4" FIP Adapter 351-05-106
B-20003	1"	1" FIP Adapter 351-05-408	1" FIP Adapter 351-05-108
B-20003	1 1/2"	1 1/2" FIP Adapter 351-05-412	1 1/2" FIP Adapter 351-05-112
B-20003	2"	2" FIP Adapter 351-05-416	2" FIP Adapter 351-05-116
B-20013	3/4"	3/4" FIP Adapter 351-05-406	3/4" FIP Adapter 351-05-106
B-20013	1"	1" FIP Adapter 351-05-408	1" FIP Adapter 351-05-108
B-20045	3/4"	3/4" FIP Adapter 351-05-406	3/4" FIP Adapter 351-05-106
B-20045	1"	1" FIP Adapter 351-05-408	1" FIP Adapter 351-05-108
B-20045	1 1/2"	1 1/2" FIP Adapter 351-05-412	1 1/2" FIP Adapter 351-05-112
B-20045	2"	2" FIP Adapter 351-05-416	2" FIP Adapter 351-05-116
B-20046	3/4"	3/4" FIP Adapter 351-05-406	3/4" FIP Adapter 351-05-106
B-20046	1"	1" FIP Adapter 351-05-408	1" FIP Adapter 351-05-108
B-20046	1 1/2"	1 1/2" FIP Adapter 351-05-412	1 1/2" FIP Adapter 351-05-112
B-20046	2"	2" FIP Adapter 351-05-416	2" FIP Adapter 351-05-116
B-25000	3/4"	3/4" FC Adapter 351-05-506	3/4" FC Adapter 351-05-906
B-25000	1"	1" FC Adapter 351-05-508	1" FC Adapter 351-05-908
B-25000	1 1/2"	1 1/2" FC Adapter 351-05-512	1 1/2" FC Adapter 351-05-912
B-25000	2"	2" FC Adapter 351-05-516	2" FC Adapter 351-05-916
B-25005	3/4"	3/4" FC Adapter 351-05-506	3/4" FC Adapter 351-05-906
B-25005	1"	1" FC Adapter 351-05-508	1" FC Adapter 351-05-908
B-25006	3/4"	3/4" FC Adapter 351-05-506	3/4" FC Adapter 351-05-906
B-25006	1"	1" FC Adapter 351-05-508	1" FC Adapter 351-05-908
B-25008	3/4"	3/4" FC Adapter 351-05-506	3/4" FC Adapter 351-05-906
B-25008	1"	1" FC Adapter 351-05-508	1" FC Adapter 351-05-908
B-25008	1 1/2"	1 1/2" 110 Compression Connection 351-05-712	
B-25008	2"	2" 110 Compression Connection 351-05-716	
B-25009	3/4"	3/4" 110 Compression Connection 351-05-706	
B-25009	1"	1" 110 Compression Connection 351-05-708	
B-25010	1 1/2"	1 1/2" FC Adapter 351-05-512	1 1/2" FC Adapter 351-05-912
B-25010	2"	2" FC Adapter 351-05-516	2" FC Adapter 351-05-916
B-25020	3/4"	3/4" FC Adapter 351-05-506	3/4" FC Adapter 351-05-906
B-25020	1"	1" FC Adapter 351-05-508	1" FC Adapter 351-05-908
B-25020	1 1/2"	1 1/2" FC Adapter 351-05-512	1 1/2" FC Adapter 351-05-912
B-25020	2"	2" FC Adapter 351-05-516	2" FC Adapter 351-05-916
B-25024	3/4"	3/4" FC Adapter 351-05-506	3/4" FC Adapter 351-05-906
B-25024	1"	1" FC Adapter 351-05-508	1" FC Adapter 351-05-908
B-25025	3/4"	3/4" FC Adapter 351-05-506	3/4" FC Adapter 351-05-906
B-25025	1"	1" FC Adapter 351-05-508	1" FC Adapter 351-05-908
B-25025	1 1/2"	1 1/2" FC Adapter 351-05-512	1 1/2" FC Adapter 351-05-912
B-25025	2"	2" FC Adapter 351-05-516	2" FC Adapter 351-05-916
B-25026	3/4"	3/4" FC Adapter 351-05-506	3/4" FC Adapter 351-05-906
B-25026	1"	1" FC Adapter 351-05-508	1" FC Adapter 351-05-908
B-25028	3/4"	3/4" FC Adapter 351-05-506	3/4" FC Adapter 351-05-906
B-25028	1"	1" FC Adapter 351-05-508	1" FC Adapter 351-05-908
B-25028	1 1/2"	1 1/2" 110 Compression Connection 351-05-712	
B-25028	2"	2" 110 Compression Connection 351-05-716	
B-25029	3/4"	3/4" 110 Compression Connection 351-05-706	
B-25029	1"	1" 110 Compression Connection 351-05-708	
B-2969	3/4"	1 1/2" FIP Adapter 351-05-412	1 1/2" FIP Adapter 351-05-112
B-2969	1"	2" FIP Adapter 351-05-416	2" FIP Adapter 351-05-116
B-2996	3/4"	3/4" FIP Adapter 351-05-406	3/4" FIP Adapter 351-05-106
B-2996	1"	1" FIP Adapter 351-05-408	1" FIP Adapter 351-05-108
B-2996	1 1/2"	1 1/2" FIP Adapter 351-05-412	1 1/2" FIP Adapter 351-05-112
B-2996	2"	2" FIP Adapter 351-05-416	2" FIP Adapter 351-05-116

# Mueller

Corp	Outlet Size	TapMate Too	TapMate Too - HDPE
E-25009	3/4"	3/4" FC Adapter 351-05-506	3/4" FC Adapter 351-05-906
E-25009	1"	1" FC Adapter 351-05-508	1" FC Adapter 351-05-908
E-25009	1 1/2"	1 1/2" FC Adapter 351-05-512	1 1/2" FC Adapter 351-05-912
E-25009	2"	2" FC Adapter 351-05-516	2" FC Adapter 351-05-916
E-25029	1"	1" FC Adapter 351-05-508	1" FC Adapter 351-05-908
E-25029	1 1/2"	1 1/2" FC Adapter 351-05-512	1 1/2" FC Adapter 351-05-912
E-25029	2"	2" FC Adapter 351-05-516	2" FC Adapter 351-05-916

H-9968	1 1/2"	1 1/2" FIP Adapter 351-05-412	1 1/2" FIP Adapter 351-05-112
H-9968	2"	2" FIP Adapter 351-05-416	2" FIP Adapter 351-05-116
H-9969	1 1/2"	1 1/2" FIP Adapter 351-05-412	1 1/2" FIP Adapter 351-05-112
H-9969	2"	2" FIP Adapter 351-05-416	2" FIP Adapter 351-05-116
H-9971	3/4"	3/4" FC Adapter 351-05-506	3/4" FC Adapter 351-05-906
H-9971	1"	1" Special Adapter 351-05-H9995	Special thread - call for pricing
H-9976	3/4"	3/4" FC Adapter 351-05-506	3/4" FC Adapter 351-05-906
H-9976	1"	1" Special Adapter 351-05-H9995	Special thread - call for pricing
H-9979	5/8"	3/4" FIP Adapter 351-05-406	3/4" FIP Adapter 351-05-106
H-9979	3/4"	1" FIP Adapter 351-05-408	1" FIP Adapter 351-05-108
H-9979	1"	1 1/4" FIP Adapter 351-05-410	1 1/4" FIP Adapter 351-05-110
H-9979	1 1/4"	1 1/2" FIP Adapter 351-05-412	1 1/2" FIP Adapter 351-05-112
H-9979	1 1/2"	2" FIP Adapter 351-05-416	2" FIP Adapter 351-05-116
H-9979	2"	2 1/2" FIP Adapter 351-05-420	
H-9991	1"	1" Special Adapter 351-05-H9995	Special thread - call for pricing
H-9992	1 1/4"	1 1/4" FIP Adapter 351-05-410	1 1/4" FIP Adapter 351-05-110
H-9995	1"	1" Special Adapter 351-05-H9995	Special thread - call for pricing
H-9996	3/4"	3/4" FIP Adapter 351-05-406	3/4" FIP Adapter 351-05-106
H-9996	1"	1" FIP Adapter 351-05-408	1" FIP Adapter 351-05-108
H-9996	1 1/2"	1 1/2" FIP Adapter 351-05-412	1 1/2" FIP Adapter 351-05-112
H-9996	2"	2" FIP Adapter 351-05-416	2" FIP Adapter 351-05-116
H-10003	5/8"	3/4" FIP Adapter 351-05-406	3/4" FIP Adapter 351-05-106
H-10003	3/4"	1" FIP Adapter 351-05-408	1" FIP Adapter 351-05-108
H-10003	1"	1 1/4" FIP Adapter 351-05-410	1 1/4" FIP Adapter 351-05-110
H-10003	1 1/4"	1 1/2" FIP Adapter 351-05-412	1 1/2" FIP Adapter 351-05-112
H-10003	1 1/2"	2" FIP Adapter 351-05-416	2" FIP Adapter 351-05-116
H-10003	2"	2 1/2" FIP Adapter 351-05-420	Rev 7-5-2010
H-10012	3/4"	3/4" FIP Adapter 351-05-406	3/4" FIP Adapter 351-05-106
H-10012	1"	1" FIP Adapter 351-05-408	1" FIP Adapter 351-05-108
H-10012	1 1/2"	1 1/2" FIP Adapter 351-05-412	1 1/2" FIP Adapter 351-05-112
H-10012	2"	2" FIP Adapter 351-05-416	2" FIP Adapter 351-05-116
H-10013	3/4"	3/4" FIP Adapter 351-05-406	3/4" FIP Adapter 351-05-106
H-10013	1"	1" FIP Adapter 351-05-408	1" FIP Adapter 351-05-108
H-10013	1 1/4"	1 1/4" FIP Adapter 351-05-410	1 1/4" FIP Adapter 351-05-110
H-10013	1 1/2"	1 1/2" FIP Adapter 351-05-412	1 1/2" FIP Adapter 351-05-112
H-10013	2"	2" FIP Adapter 351-05-416	2" FIP Adapter 351-05-116
H-10045	3/4"	3/4" MIP Adapter 351-05-606	3/4" MIP Adapter 351-05-206
H-10045	1"	1" MIP Adapter 351-05-608	1" MIP Adapter 351-05-208
H-10045	1 1/4"	1 1/4" MIP Adapter 351-05-610	1 1/4" MIP Adapter 351-05-210
H-10045	1 1/2"	1 1/2" MIP Adapter 351-05-602	1 1/2" MIP Adapter 351-05-202
H-10045	2"	2" MIP Adapter 351-05-616	2" MIP Adapter 351-05-216
H-10046	3/4"	3/4" MIP Adapter 351-05-606	3/4" MIP Adapter 351-05-206
H-10046	1"	1" MIP Adapter 351-05-608	1" MIP Adapter 351-05-208
H-10046	1 1/2"	1 1/2" MIP Adapter 351-05-612	1 1/2" MIP Adapter 351-05-212
H-10046	2"	2" MIP Adapter 351-05-616	2" MIP Adapter 351-05-216

# Mueller

Corp	Outlet Size	TapMate Too	TapMate Too - HDPE
H-15000	3/4"	3/4" FC Adapter 351-05-506	3/4" FC Adapter 351-05-906
H-15000	1"	1" FC Adapter 351-05-508	1" FC Adapter 351-05-908
H-15000	1 1/4"	1 1/4" FC Adapter 351-05-510	1 1/4" FC Adapter 351-05-910
H-15000	1 1/2"	1 1/2" FC Adapter 351-05-512	1 1/2" FC Adapter 351-05-912
H-15000	2"	2" FC Adapter 351-05-516	2" FC Adapter 351-05-916
H-15002	3/4"	1" FC Adapter 351-05-508	1" FC Adapter 351-05-908
H-15002	1"	1 1/4" FC Adapter 351-05-510	1 1/4" FC Adapter 351-05-910
H-15005	3/4"	3/4" FC Adapter 351-05-506	3/4" FC Adapter 351-05-906
H-15005	1"	1" FC Adapter 351-05-508	1" FC Adapter 351-05-908
H-15006	3/4"	3/4" FC Adapter 351-05-506	3/4" FC Adapter 351-05-906
H-15006	1"	1" FC Adapter 351-05-508	1" FC Adapter 351-05-908
H-15008	3/4"	3/4" 110 Compression Connection 351-05-706	
H-15008	1"	1" 110 Compression Connection 351-05-708	
H-15008	1 1/2"	1 1/2" 110 Compression Connection 351-05-712	
H-15008	2"	2" 110 Compression Connection 351-05-716	
H-15009	3/4"	3/4" 110 Compression Connection 351-05-706	
H-15009	1"	1" 110 Compression Connection 351-05-708	
H-15010	3/4"	3/4" FC Adapter 351-05-506	3/4" FC Adapter 351-05-906
H-15010	1 1/2"	1" FC Adapter 351-05-508	1" FC Adapter 351-05-908
H-15010	1 1/2"	1 1/2" FC Adapter 351-05-512	1 1/2" FC Adapter 351-05-912
H-15010	2"	2" FC Adapter 351-05-516	2" FC Adapter 351-05-916
H-15013	1 1/2"	1 1/2" 110 Compression Connection 351-05-712	
H-15013	2"	2" 110 Compression Connection 351-05-716	
H-15014	1 1/2"	1 1/2" MIP Adapter 351-05-612	1 1/2" MIP Adapter 351-05-212
H-15014	2"	2" MIP Adapter 351-05-616	2" MIP Adapter 351-05-216
H-15015	1 1/2"	1 1/2" MIP Adapter 351-05-612	1 1/2" MIP Adapter 351-05-212
H-15015	2"	2" MIP Adapter 351-05-616	2" MIP Adapter 351-05-216
H-15020	3/4"	3/4" FC Adapter 351-05-506	3/4" FC Adapter 351-05-906
H-15020	1"	1" FC Adapter 351-05-508	1" FC Adapter 351-05-908
H-15020	1 1/2"	1 1/2" FC Adapter 351-05-512	1 1/2" FC Adapter 351-05-912
H-15020	2"	2" FC Adapter 351-05-516	2" FC Adapter 351-05-916
H-15023	1 1/2"	1 1/2" 110 Compression Connection 351-05-712	
H-15023	2"	2" 110 Compression Connection 351-05-716	
H-15024	3/4"	3/4" FC Adapter 351-05-506	3/4" FC Adapter 351-05-906
H-15024	1"	1" FC Adapter 351-05-508	1" FC Adapter 351-05-908
H-15025	3/4"	3/4" FC Adapter 351-05-506	3/4" FC Adapter 351-05-906
H-15025	1"	1" FC Adapter 351-05-508	1" FC Adapter 351-05-908
H-15025	1 1/4"	1 1/4" FC Adapter 351-05-510	1 1/4" FC Adapter 351-05-910
H-15025	1 1/2"	1 1/2" FC Adapter 351-05-512	1 1/2" FC Adapter 351-05-912
H-15025	2"	2" FC Adapter 351-05-516	2" FC Adapter 351-05-916
H-15026	3/4"	3/4" FC Adapter 351-05-506	3/4" FC Adapter 351-05-906
H-15026	1"	1" FC Adapter 351-05-508	1" FC Adapter 351-05-908
H-15027	3/4"	1 Size larger than the copper tubing to be flared	
H-15028	3/4"	3/4" 110 Compression Connection 351-05-706	
H-15028	1"	1" 110 Compression Connection 351-05-708	
H-15028	1 1/2"	1 1/2" 110 Compression Connection 351-05-712	
H-15028	2"	2" 110 Compression Connection 351-05-716	
H-15029	3/4"	3/4" 110 Compression Connection 351-05-706	
H-15029	1"	1" 110 Compression Connection 351-05-708	
H-15030	3/4"	3/4" 110 Compression Connection 351-05-706	
H-15030	1"	1" 110 Compression Connection 351-05-708	
H-15031	3/4"	3/4" 110 Compression Connection 351-05-706	
H-15031	1"	1" 110 Compression Connection 351-05-708	

# Mueller

Corp	Outlet Size	TapMate Too	TapMate Too - HDPE
H-15035	3/4"	3/4" FC Adapter 351-05-506	3/4" FC Adapter 351-05-906
H-15035	1"	1" FC Adapter 351-05-508	1" FC Adapter 351-05-908
H-15035	1 1/2"	1 1/2" FC Adapter 351-05-512	1 1/2" FC Adapter 351-05-912
H-15035	2"	2" FC Adapter 351-05-516	2" FC Adapter 351-05-916
H-15045	3/4"	3/4" FC Adapter 351-05-506	3/4" FC Adapter 351-05-906
H-15045	1"	1" FC Adapter 351-05-508	1" FC Adapter 351-05-908
H-15045	1 1/2"	1 1/2" FC Adapter 351-05-512	1 1/2" FC Adapter 351-05-912
H-15045	2"	2" FC Adapter 351-05-516	2" FC Adapter 351-05-916
P-15008	3/4"	3/4" FC Adapter 351-05-506	3/4" FC Adapter 351-05-906
P-15008	1"	1" FC Adapter 351-05-508	1" FC Adapter 351-05-908
P-15013	1 1/2"	1 1/2" 110 Compression Connection 351-05-712	
P-15013	2"	2" 110 Compression Connection 351-05-716	
P-15023	1 1/2"	1 1/2" 110 Compression Connection 351-05-712	
P-15023	2"	2" 110 Compression Connection 351-05-716	
P-15028	1 1/2"	3/4" FC Adapter 351-05-506	3/4" FC Adapter 351-05-906
P-15028	2"	1" FC Adapter 351-05-508	1" FC Adapter 351-05-908
P-25008	3/4"	3/4" FC Adapter 351-05-506	3/4" FC Adapter 351-05-906
P-25008	1"	1" FC Adapter 351-05-508	1" FC Adapter 351-05-908
P-25008	1 1/2"	1 1/2" 110 Compression Connection 351-05-712	
P-25008	2"	2" 110 Compression Connection 351-05-716	
P-25028	3/4"	3/4" FC Adapter 351-05-506	3/4" FC Adapter 351-05-906
P-25028	1"	1" FC Adapter 351-05-508	1" FC Adapter 351-05-908
P-25028	1 1/2"	1 1/2" 110 Compression Connection 351-05-712	
P-25028	2"	2" 110 Compression Connection 351-05-716	
V-25056	1 1/2"	1 1/2" 110 Compression Connection 351-05-712	
V-25056	2"	2" 110 Compression Connection 351-05-716	
V-25056	1"	1" FC Adapter 351-05-508	1" FC Adapter 351-05-908
V-25058	1"	1" FC Adapter 351-05-508	1" FC Adapter 351-05-908
V-25058	1 1/2"	1 1/2" 110 Compression Connection 351-05-712	
V-25058	2"	2" 110 Compression Connection 351-05-716	

Rev 7-5-2010

Rev 7-5-2010

# Red Hed

Corp	Outlet Size	TapMate Too	TapMate Too - HDPE
RH 43801	3/4"	3/4" FC Adapter 351-05-506	3/4" FC Adapter 351-05-906
RH 43802	1"	1" FC Adapter 351-05-508	1" FC Adapter 351-05-908
RH 43803	1 1/4"	1 1/4" FC Adapter 351-05-510	1 1/4" FC Adapter 351-05-910
RH 43811	3/4"	3/4" FC Adapter 351-05-506	3/4" FC Adapter 351-05-906
RH 43812	1"	1" FC Adapter 351-05-508	1" FC Adapter 351-05-908
RH 43813	1 1/4"	1 1/4" FC Adapter 351-05-510	1 1/4" FC Adapter 351-05-910
RH 43821	3/4"	3/4" FC Adapter 351-05-506	3/4" FC Adapter 351-05-906
RH 43822	1"	1" FC Adapter 351-05-508	1" FC Adapter 351-05-908
RH 43823	1 1/4"	1 1/4" FC Adapter 351-05-510	1 1/4" FC Adapter 351-05-910
RH 43831	3/4"	3/4" FC Adapter 351-05-506	3/4" FC Adapter 351-05-906
RH 43832	1"	1" FC Adapter 351-05-508	1" FC Adapter 351-05-908
RH 43833	1 1/4"	1 1/4" FC Adapter 351-05-510	1 1/4" FC Adapter 351-05-910
RH 43841	3/4"	3/4" FIP Adapter 351-05-406	3/4" FIP Adapter 351-05-106
RH 43842	1"	1" FIP Adapter 351-05-408	1" FIP Adapter 351-05-108
RH 43851	1 1/4"	3/4" FIP Adapter 351-05-406	3/4" FIP Adapter 351-05-106
RH 43852	1"	1" FIP Adapter 351-05-408	1" FIP Adapter 351-05-108
RHB 43804	1 1/2"	1 1/2" FC Adapter 351-05-512	1 1/2" FC Adapter 351-05-912
RHB 43805	2"	2" FC Adapter 351-05-516	2" FC Adapter 351-05-916
RHB 43814	1 1/2"	1 1/2" FC Adapter 351-05-512	1 1/2" FC Adapter 351-05-912
RHB 43815	2"	2" FC Adapter 351-05-516	2" FC Adapter 351-05-916
RHB 43824	1 1/2"	1 1/2" FC Adapter 351-05-512	1 1/2" FC Adapter 351-05-912
RHB 43825	2"	2" FC Adapter 351-05-516	2" FC Adapter 351-05-916
RHB 43834	1 1/2"	1 1/2" FC Adapter 351-05-512	1 1/2" FC Adapter 351-05-912
RHB 43835	2"	2" FC Adapter 351-05-516	2" FC Adapter 351-05-916
RHB 43844	1 1/2"	1 1/2" FIP Adapter 351-05-412	1 1/2" FIP Adapter 351-05-112
RHB 43845	2"	2" FIP Adapter 351-05-416	2" FIP Adapter 351-05-116
RHB 43853	1 1/4"	1 1/4" FIP Adapter 351-05-410	1 1/4" FIP Adapter 351-05-110
RHB 43854	1 1/2"	1 1/2" FIP Adapter 351-05-412	1 1/2" FIP Adapter 351-05-112
RHB 43855	2"	2" FIP Adapter 351-05-416	2" FIP Adapter 351-05-116
RHB 43864	1 1/2"	1 1/2" MIP Adapter 351-05-612	1 1/2" MIP Adapter 351-05-212
RHB 43865	2"	2" MIP Adapter 351-05-616	2" MIP Adapter 351-05-216
RHB 43873	1 1/4"	1 1/4" MIP Adapter 351-05-610	1 1/4" MIP Adapter 351-05-210
RHB 43874	1 1/2"	1 1/2" MIP Adapter 351-05-612	1 1/2" MIP Adapter 351-05-212
RHB 43875	2"	2" MIP Adapter 351-05-616	2" MIP Adapter 351-05-216
RHB 43904	1 1/2"	1 1/2" FC Adapter 351-05-512	1 1/2" FC Adapter 351-05-912
RHB 43905	2"	2" FC Adapter 351-05-516	2" FC Adapter 351-05-916
RHB 43914	1 1/2"	1 1/2" FC Adapter 351-05-512	1 1/2" FC Adapter 351-05-912
RHB 43915	2"	2" FC Adapter 351-05-516	2" FC Adapter 351-05-916
RHB 43924	1 1/2"	1 1/2" FC Adapter 351-05-512	1 1/2" FC Adapter 351-05-912
RHB 43925	2"	2" FC Adapter 351-05-516	2" FC Adapter 351-05-916
RHB 43934	1 1/2"	1 1/2" FC Adapter 351-05-512	1 1/2" FC Adapter 351-05-912
RHB 43935	2"	2" FC Adapter 351-05-516	2" FC Adapter 351-05-916
RHB 43944	1 1/2"	1 1/2" FIP Adapter 351-05-412	1 1/2" FIP Adapter 351-05-112
RHB 43945	2"	2" FIP Adapter 351-05-416	2" FIP Adapter 351-05-116
RHB 43953	1 1/4"	1 1/4" FIP Adapter 351-05-410	1 1/4" FIP Adapter 351-05-110
RHB 43954	1 1/2"	1 1/2" FIP Adapter 351-05-412	1 1/2" FIP Adapter 351-05-112
RHB 43955	2"	2" FIP Adapter 351-05-416	2" FIP Adapter 351-05-116
RHB 43964	1 1/2"	1 1/2" MIP Adapter 351-05-612	1 1/2" MIP Adapter 351-05-212
RHB 43965	2"	2" MIP Adapter 351-05-616	2" MIP Adapter 351-05-216
RHB 43973	1 1/4"	1 1/4" MIP Adapter 351-05-610	1 1/4" MIP Adapter 351-05-210
RHB 43974	1 1/2"	1 1/2" MIP Adapter 351-05-612	1 1/2" MIP Adapter 351-05-212
RHB 43975	2"	2" MIP Adapter 351-05-616	2" MIP Adapter 351-05-216

# Red Hed

Corp	Outlet Size	TapMate Too	TapMate Too - HDPE
RHSB 43804	1 1/2"	1 1/2" FC Adapter 351-05-512	1 1/2" FC Adapter 351-05-912
RHSB 43805	2"	2" FC Adapter 351-05-516	2" FC Adapter 351-05-916
RHSB 43814	1 1/2"	1 1/2" FC Adapter 351-05-512	1 1/2" FC Adapter 351-05-912
RHSB 43815	2"	2" FC Adapter 351-05-516	2" FC Adapter 351-05-916
RHSB 43821	3/4"	3/4" FC Adapter 351-05-506	3/4" FC Adapter 351-05-906
RHSB 43822	1"	1" FC Adapter 351-05-508	1" FC Adapter 351-05-908
RHSB 43824	1 1/2"	1 1/2" FC Adapter 351-05-512	1 1/2" FC Adapter 351-05-912
RHSB 43825	2"	2" FC Adapter 351-05-516	2" FC Adapter 351-05-916
RHSB 43834	1 1/2"	1 1/2" FC Adapter 351-05-512	1 1/2" FC Adapter 351-05-912
RHSB 43835	2"	2" FC Adapter 351-05-516	2" FC Adapter 351-05-916

Rev 7-5-2010