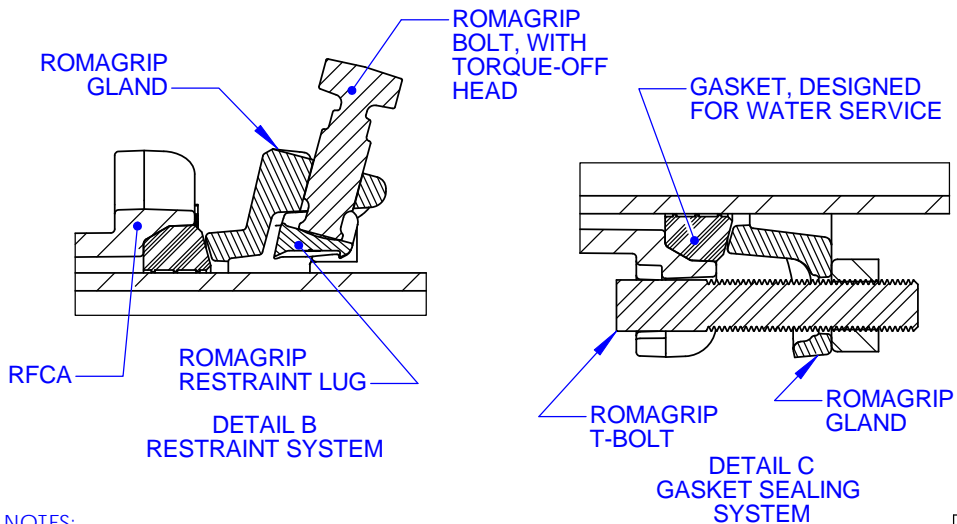
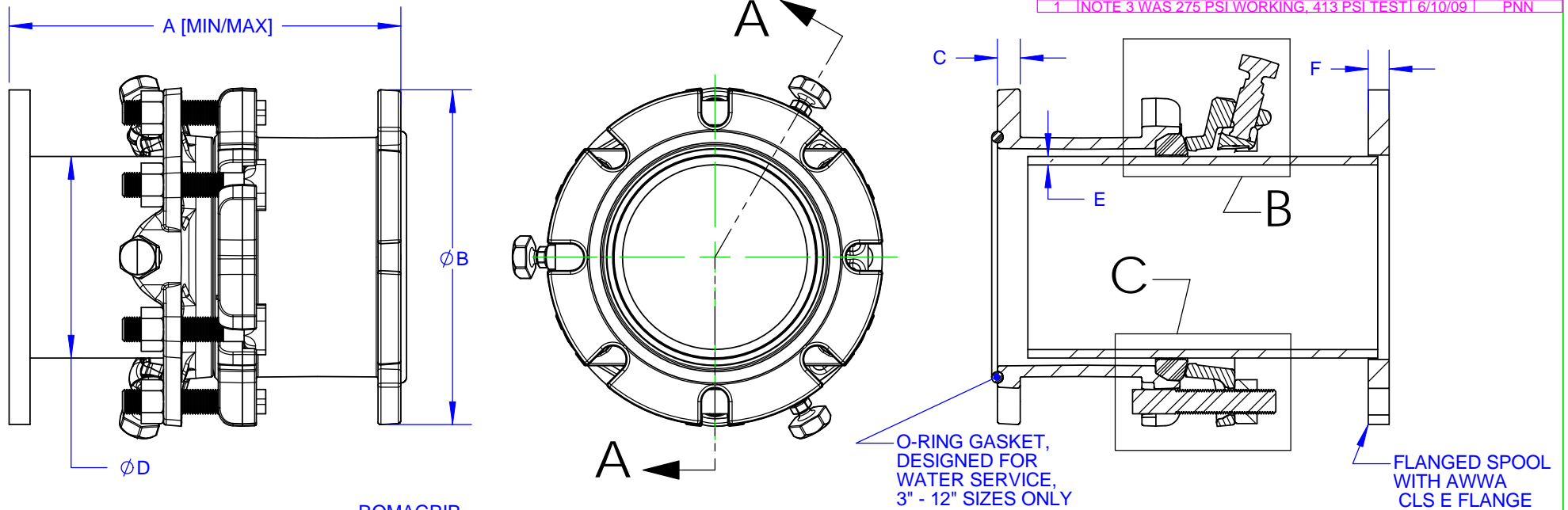


REVISIONS			
REV.	DESCRIPTION	DATE	APPROVED
0	INITIAL RELEASE	10/31/03	NST III
1	NOTE 3 WAS 275 PSI WORKING, 413 PSI TEST	6/10/09	PNN



NOM SIZE	DIMENSIONS						T-BOLTS			FLANGED SPOOL			WGT (LBS)
	LENGTH "A"			FLG OD "B"	FCA FLG THK "C"	MAX DEF. (DEG)	QTY	SIZE	LENGTH	OD "D"	PIPE THK "E"	FLG THK "F"	
	NOM	MIN	MAX										
3	12.00	10.50	13.50	7.5	0.75	2.0	4	5/8"	3.75	3.50	0.22	0.94	36
4	13.25	11.50	15.00	9.0	0.75	3.5	4	3/4"	4.25	4.50	0.24	1.13	52
6	14.25	12.25	16.25	11.0	0.75	3.5	6	3/4"	4.25	6.63	0.28	1.31	78
8	14.50	12.50	16.50	13.5	0.75	3.3	6	3/4"	4.25	8.63	0.32	1.50	112
10	15.75	13.50	18.00	16.0	0.75	3.0	8	3/4"	4.25	10.75	0.37	1.56	167
12	15.75	13.50	18.00	19.0	0.81	3.0	8	3/4"	4.25	12.75	0.38	1.75	231
14	20.25	17.75	22.75	21.0	1.38	2.0	10	3/4"	4.50	15.30	0.38	1.88	344
16	20.25	17.75	22.75	23.5	1.44	2.0	12	3/4"	4.50	17.40	0.38	2.00	412
18	21.50	19.00	24.00	25.0	1.45	1.5	12	3/4"	4.50	19.50	0.38	2.13	454
20	21.50	19.00	24.00	27.5	1.47	1.5	14	3/4"	4.50	21.60	0.38	2.38	546
24	22.75	20.25	25.25	32.0	1.50	1.5	16	3/4"	5.00	25.80	0.38	2.63	692

- NOTES:
- NSF 61 CERTIFIED COATING: FUSION BONDED EPOXY IS STANDARD. OTHER COATINGS AVAILABLE UPON REQUEST.
  - CUSTOMER MUST CONFIRM LENGTH OF ASSEMBLY TOLERANCE "A".
  - PRESSURE RATED UP TO FLANGES PROVIDED. 3"-16" AWWA CLS E 275 PSIG WORKING, 413 PSIG TEST. 18"-24" AWWA CLS E 250 PSI WORKING, 375 PSIG TEST.
  - ROMAC DJ405 DISMANTLING JOINT WILL ALLOW DEFLECTION. SEE TABLE FOR VALUES.
  - T-BOLTS PER AWWA C111. STAINLESS STEEL FASTENERS AVAILABLE UPON REQUEST.

THIS DRAWING CONTAINS CONFIDENTIAL PROPRIETARY INFORMATION AND IS THE PROPERTY OF ROMAC IND., INC. IT'S TO BE USED ONLY FOR THE PURPOSE FOR WHICH IT'S SUBMITTED AND SHALL NOT HAVE ITS INFORMATION DISCLOSED OR REPRODUCED IN WHOLE OR IN PART FOR ANY PURPOSE WITHOUT PRIOR WRITTEN PERMISSION OF ROMAC IND., INC.

SIGNATURES		DATE			ROMAC IND. INC., SEATTLE, WA	
DRAWN					TITLE DISMANTLING JOINT DJ405 3"- 24" CLS E	
CHECKED						
MATERIAL: ASTM A536 ASTM A36				SIZE A	DWG. NO. B2305-A	REV. NO. 1
SCALE NTS				SHEET 1 OF 1		