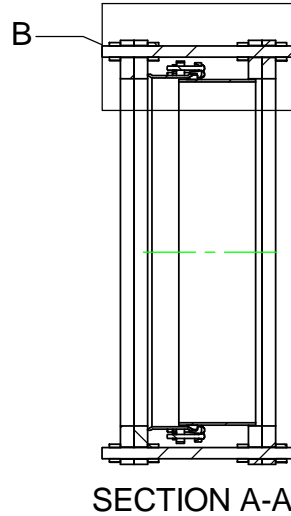
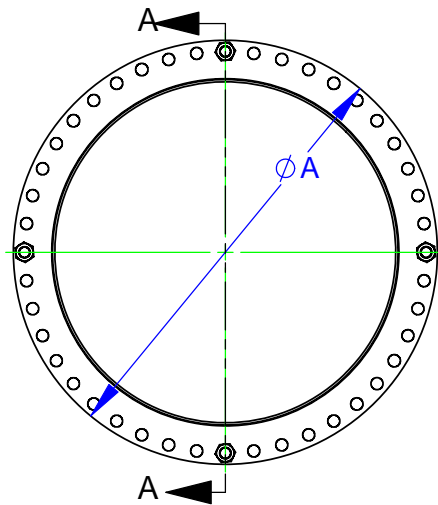


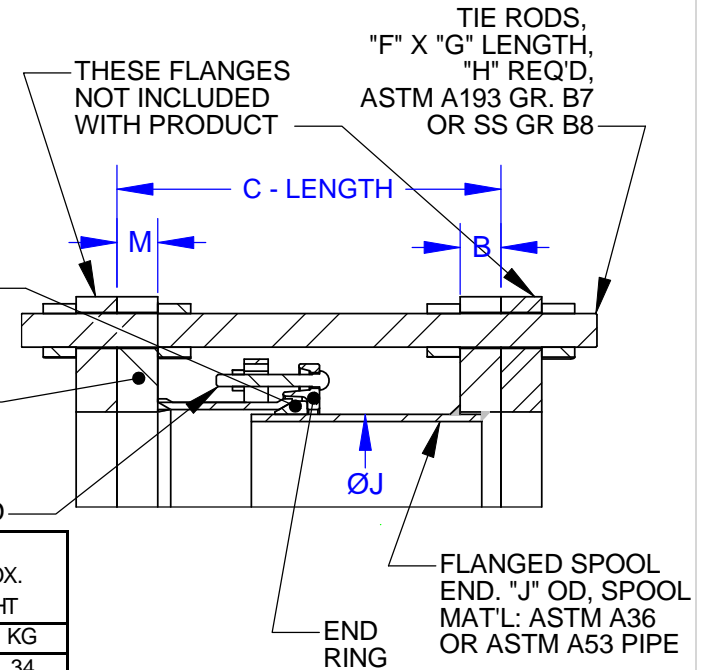
REVISIONS			
REV.	DESCRIPTION	DATE	APPROVED
0	INITIAL RELEASE	11/12/09	SH



GASKET: NBR, SUITABLE FOR WATER SERVICE, 180°F max, 75 DUROMETER 1 REQ'D

ISO 7005 PN-10 RING FLANGE, 2 REQ'D

BOLTS, "D" REQ'D "E" SIZE X 5.0 LG; TRACK HEAD



DETAIL B

NOTES:

1. COATING: FUSION BONDED EPOXY IS STANDARD. OTHER COATINGS AVAILABLE.
2. FASTENERS: HSLA. STAINLESS STEEL IS OPTIONAL.
3. PRESSURE RATED UP TO PN-25 FLANGES PROVIDED. (367.5 PSI)
4. WHEN INSTALLING, POSITION THE FLANGED COUPLING END IN THE REQUIRED LOCATION & THEN FOLLOW BOLTING INSTRUCTIONS.
5. NOT INTENDED TO PROVIDE LATERAL MOVEMENT IN PIPELINE.

NOM SIZE	DIMENSIONS (MM)					BOLTS		TIE RODS				SPOOL		APPROX. WEIGHT	
	FLG OD	FLG THK	C - LENGTH			QTY	SIZE (UNC)	SIZE	LENGTH	B7	SS	OD	FLG THK	LB	KG
	A	B	NOM.	MIN.	MAX.	D	E	F	G	H	H	J	M		
100	235	26	337	298	375	4	5/8 - 11	M20	500	2	2	114.3	26	75	34
150	300	30	349	311	387	4	5/8 - 11	M24	530	2	2	168.3	30	120	54
200	360	32	349	311	387	6	5/8 - 11	M24	530	2	2	219.1	32	164	74
250	425	35	362	324	400	8	5/8 - 11	M27	555	2	2	273.1	35	234	106
300	485	38	368	330	406	8	5/8 - 11	M27	570	2	4	323.9	38	291	132
350	555	42	457	419	495	8	5/8 - 11	M30	670	2	4	355.6	42	294	133
400	620	46	470	432	508	10	5/8 - 11	M33	695	2	4	406.4	46	370	168
450	670	50	476	438	514	12	5/8 - 11	M33	715	2	4	457.2	50	424	192
500	730	56	489	451	527	12	5/8 - 11	M33	740	4	4	508.0	56	551	250
600	845	68	565	527	603	14	5/8 - 11	M36	840	4	6	609.6	68	810	367
700	960	125	629	591	667	16	5/8 - 11	M39	1025	4	6	711.2	125	947	430
800	1085	135	667	629	705	18	5/8 - 11	M45	1095	4	6	812.8	135	1246	565
900	1185	145	686	648	724	20	5/8 - 11	M45	1135	4	8	914.4	145	1432	650
1000	1320	155	718	679	756	26	5/8 - 11	M52	1205	4	6	1016.0	155	1970	894

PROPRIETARY NOTICE

THIS DRAWING CONTAINS CONFIDENTIAL PROPRIETARY INFORMATION AND IS THE PROPERTY OF ROMAC IND., INC. IT IS TO BE USED ONLY FOR THE PURPOSE FOR WHICH IS WAS SUBMITTED AND SHALL NOT HAVE IT'S INFORMATION DISCLOSED OR REPRODUCED IN WHOLE OR IN PART FOR ANY PURPOSE WITHOUT PRIOR WRITTEN PERMISSION OF ROMAC IND., INC.

UNLESS OTHERWISE SPECIFIED

DIMENSIONS ARE IN INCHES

TOLERANCES ARE ON:
 1 PL DECIMALS ± .060
 2 PL DECIMALS ± .030
 3 PL DECIMALS ± .010
 ANGLES ± 1°
 FRACTIONS ± 1/64

SIGNATURES

DRAWN

CHECKED

APPROVAL ORGANIZATIONS

PROP.CUST.APP. ORG.



ROMAC INDUSTRIES INC.,
 BOTHELL, WA

TITLE

DJ400 - 100MM - 1000MM,
 ISO 7005 PN 25 FLANGE

DWG. NO.

B3307-A

SIZE

A

REV. NO.

0

SCALE

NTS

SHEET

1 OF 1