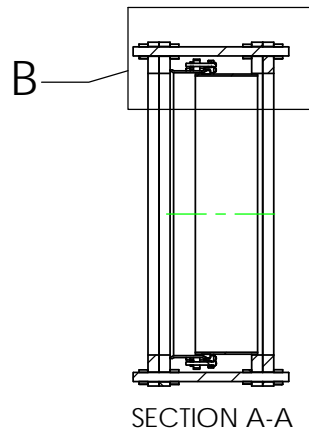
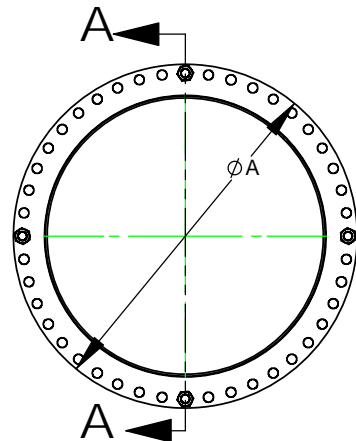


B2127-A

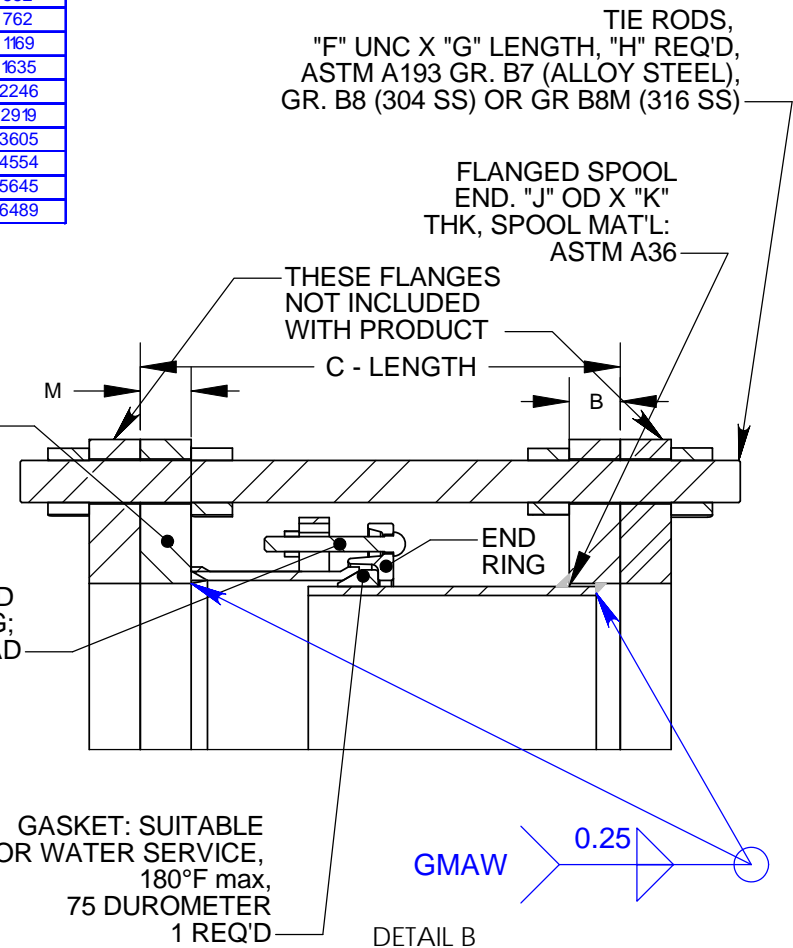
NOM SIZE	DIMENSIONS					BOLTS		TIE RODS (STEEL OR SS)				SPOOL			APPROX WEIGHT
	FLANGE		C - LENGTH			QTY	SIZE (UNC)	SIZE (UNC)	LENGT H	QTY	QTY (SS)	OD	PIPE THK	FLANGE THK	
	A	B	NOM	MIN.	MAX.	D	E	F	G	H	J	K	M		
14	21.00	1.88	18.25	16.75	19.75	8	5/8 - 11	1 - 8	26.50	2	4	14.00	0.25	1.88	323
16	23.50	2.00	18.50	17.00	20.00	10	5/8 - 11	1 - 8	27.00	4	4	16.00	0.25	2.00	391
18	25.00	2.13	18.75	17.25	20.25	10	5/8 - 11	1 1/8 - 7	27.75	4	4	18.00	0.25	2.13	431
20	27.50	2.38	19.25	17.75	20.75	12	5/8 - 11	1 1/8 - 7	28.75	4	6	20.00	0.25	2.38	552
24	32.00	2.63	22.00	20.50	23.50	14	5/8 - 11	1 1/4 - 7	32.25	4	6	24.00	0.25	2.63	762
30	38.75	2.88	22.75	21.25	24.25	16	5/8 - 11	1 1/4 - 7	33.50	6	8	30.00	0.38	2.88	1169
36	46.00	3.13	23.75	22.25	25.25	18	5/8 - 11	1 1/2 - 6	35.50	6	8	36.00	0.38	3.13	1635
42	53.00	3.38	24.75	23.25	26.25	20	5/8 - 11	1 1/2 - 6	37.50	8	12	42.00	0.38	3.38	2246
48	59.50	3.50	25.00	23.50	26.50	22	5/8 - 11	1 1/2 - 6	37.50	10	16	48.00	0.50	3.50	2919
54	66.25	3.75	26.00	24.50	27.50	24	5/8 - 11	1 3/4 - 5	40.00	10	14	54.00	0.50	3.75	3605
60	73.00	3.88	26.25	24.75	27.75	28	5/8 - 11	1 3/4 - 5	40.00	12	18	60.00	0.63	3.88	4554
66	80.00	4.25	27.00	25.50	28.50	30	5/8 - 11	1 3/4 - 5	41.50	14	20	66.00	0.63	4.25	5645
72	86.50	4.38	27.25	25.75	28.75	32	5/8 - 11	1 3/4 - 5	42.00	16	24	72.00	0.63	4.38	6489

REV.	DESCRIPTION	REVISIONS	DATE	APPROVED
0	INITIAL RELEASE		12/20/02	NST III
1	48" TIE ROD QTY "H" WAS 16		8/25/03	NST III
2	ADDED SS TIE ROD QTY		2/2/05	NST III
3	ADD WELD SYMBOL & NOTE 6		5/8/06	NST III
4	ADDED 66" SIZE, REVISED CENTER RING WIDTH TO ACCOMMODATE FLANGE BOLTS, TIE RODS, AND SETTING LENGTH (F/F) INCREASED BY (CR WIDTH - 7.0)		10/16/07	NST III
5	UPDATED APPROX WEIGHT 14" - 72"		7/6/09	PNN

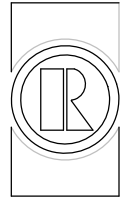


AWWA CLS E RING FLANGE, 2 REQ'D

BOLTS, "D" REQ'D "E" SIZE X 5.0 LG; TRACK HEAD



- NOTES:
- COATING: CUSTOMER SPECIFIED. ROMAC NSF 61 SHOPCOAT PAINT OR NSF 61 CERTIFIED FUSION BONDED EPOXY.
 - FASTENERS: CUSTOMER SPECIFIED. HSLA PER ASTM A588 OR STAINLESS STEEL TYPE 304 OR 316 PER ASTM A193.
 - PRESSURE RATED UP TO FLANGES PROVIDED. 14"-72" AWWA CLS E 275 PSIG WORKING, 413 PSIG TEST.
 - WHEN INSTALLING, POSITION THE FLANGED COUPLING END IN THE REQUIRED LOCATON & THEN FOLLOW BOLTING INSTRUCTIONS.
 - NOT INTENDED TO PROVIDE LATERAL MOVEMENT IN PIPELINE.
 - ALL WELDING PERFORMED IN ACCORDANCE WITH AWS D1.1

PROPRIETARY NOTICE	UNLESS OTHERWISE SPECIFIED	SIGNATURES	ROMAC INDUSTRIES INC., BOTHELL, WA				
THIS DRAWING CONTAINS CONFIDENTIAL PROPRIETARY INFORMATION AND IS THE PROPERTY OF ROMAC IND., INC. IT IS TO BE USED ONLY FOR THE PURPOSE FOR WHICH IT WAS SUBMITTED AND SHALL NOT HAVE ITS INFORMATION DISCLOSED OR REPRODUCED IN WHOLE OR IN PART FOR ANY PURPOSE WITHOUT PRIOR WRITTEN PERMISSION OF ROMAC IND., INC.	DIMENSIONS ARE IN INCHES TOLERANCES ARE ON: 1 PL DECIMALS ± .060 2 PL DECIMALS ± .030 3 PL DECIMALS ± .010 ANGLES ± 1° FRACTIONS ± 1/64	DRAWN					
		CHECKED					
		APPROVAL ORGANIZATIONS ENGINEERING					
		TITLE	DWG. NO.	SIZE	REV. NO.	SCALE	SHEET
		DISMANTLING JOINT DJ400 - W/ TIE RODS 14" - 72" CLS E FLANGE	B2127-A	A	5	NTS	1 OF 1