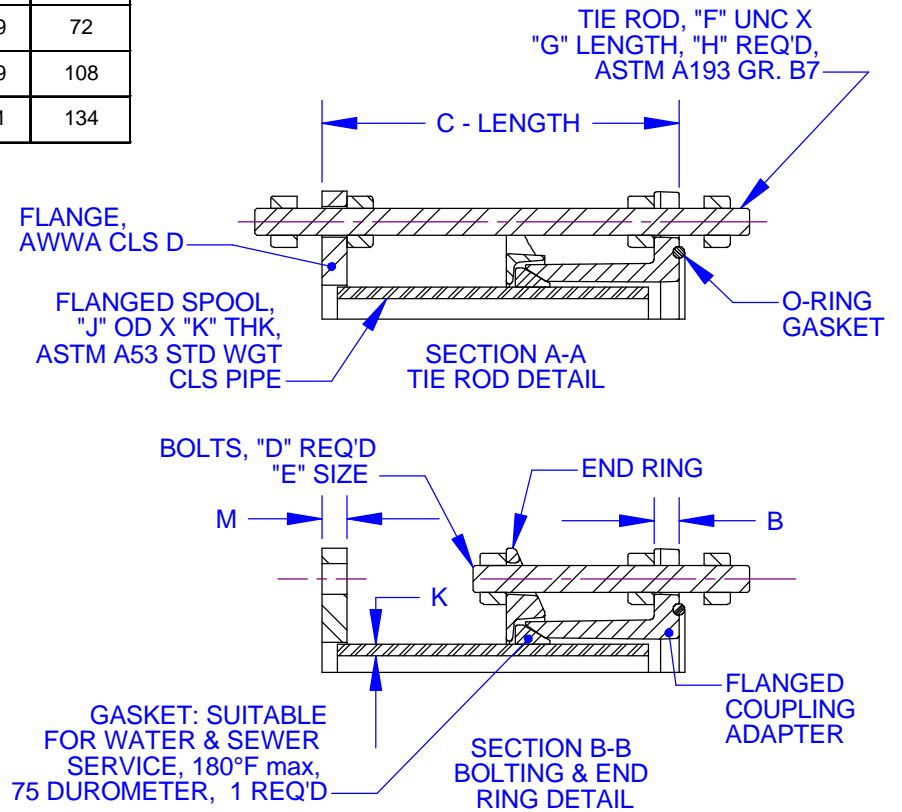
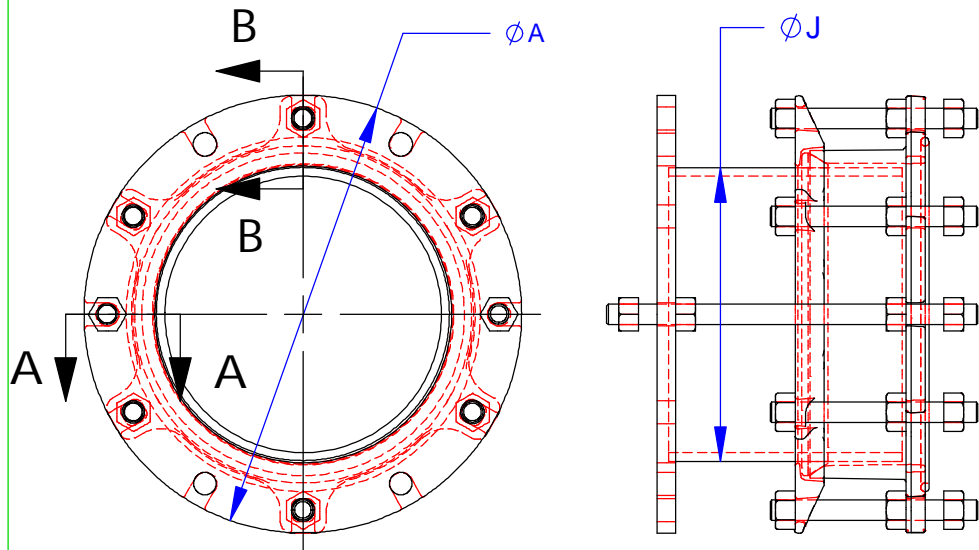


NOM SIZE	DIMENSIONS					BOLTS		TIE RODS				SPOOL			APPROX. WEIGHT LBS
	FLANGE OD	FCA FLANGE THK	C - LENGTH			QTY	SIZE	SIZE	LENGTH	QTY	OD	THK	FLANGE THK		
	A	B	NOM.	MIN.	MAX.	D	E	F	G	H	J	K	M		
3	7.50	0.60	8.00	7.00	9.00	2	5/8 - 11	5/8 - 11	13.50	2	3.50	0.22	0.63	31	
4	9.00	0.60	8.00	7.00	9.00	4	5/8 - 11	5/8 - 11	13.50	2	4.50	0.24	0.63	36	
6	11.00	0.63	8.38	7.38	9.38	4	3/4 - 10	3/4 - 10	15.00	2	6.63	0.28	0.69	55	
8	13.50	0.63	8.38	7.38	9.38	4	3/4 - 10	3/4 - 10	15.00	2	8.63	0.32	0.69	72	
10	16.00	1.24	10.50	9.50	11.50	6	5/8 - 11X 7/8 - 9	7/8 - 9	17.75	2	10.75	0.37	0.69	108	
12	19.00	1.25	10.50	9.50	11.50	6	7/8 - 9	7/8 - 9	17.75	2	12.75	0.38	0.81	134	

REVISIONS			
REV	DESCRIPTION	DATE	APPROVED
1	ADDED FLANGE THICKNESS FOR FCA AND AWWA CLS D	23-Jul-02	NST III
2	ADDED TEST PRESSURE TO NOTE 3	23-Jul-02	NST III
3	REVISED ALL LENGTH DIMENSIONS "C" AND TIE ROD LENGTHS "G"	13-Sep-02	NST III
4	CHANGED NOTES TO REFLECT STD EPOXY AND STD HSLA FASTENERS, ADDED O-RING, REMOVED EXTRA FLANGES.	31-Jan-03	NST III
5	REMOVED SBR FROM GASKET NOTE	01-Apr-03	NST III
6	3" NOM. SIZE BOLT QTY "D" WAS 4	01-Jul-03	NST III



NOTES:

- NSF 61 CERTIFIED COATING: FUSION BONDED EPOXY IS STANDARD. OTHER COATINGS AVAILABLE UPON REQUEST.
- FASTENERS: HSLA PER ASTM A588 IS STANDARD. STAINLESS STEEL TYPE 304 OR 316 PER ASTM A193 AVAILABLE UPON REQUEST.
- PRESSURE RATED UP TO FLANGES PROVIDED; 3" - 12" AWWA CLS D 175 PSIG WORKING, 263 PSIG TEST. FOR HIGHER PRESSURES, AWWA CLS E OR CLS F FLANGES AVAILABLE.
- WHEN INSTALLING, POSITION THE FLANGED COUPLING END IN THE REQUIRED LOCATION & THEN FOLLOW BOLTING INSTRUCTIONS.
- NOT INTENDED TO PROVIDE LATERAL MOVEMENT IN PIPELINE.

THIS DRAWING CONTAINS CONFIDENTIAL PROPRIETARY INFORMATION AND IS THE PROPERTY OF ROMAC IND., INC. IT'S TO BE USED ONLY FOR THE PURPOSE FOR WHICH IT'S SUBMITTED AND SHALL NOT HAVE ITS INFORMATION DISCLOSED OR REPRODUCED IN WHOLE OR IN PART FOR ANY PURPOSE WITHOUT PRIOR WRITTEN PERMISSION OF ROMAC IND., INC.

SIGNATURES		DATE			ROMAC IND. INC., SEATTLE, WA	
DRAWN: NIELS THOGERSEN III		13 MAR 2002			TITLE DISMANTLING JOINT DJ400 - W/ TIE RODS 3" - 12", CLS D FLANGE	
CHECKED: GEORGE DENISON		13 MAR 2002				
ISSUED:						
ENGRG:						
MATERIAL: ASTM A536 - DUCTILE IRON A53 - PIPE		SIZE: A	DWG. NO.: B1970-A	REV. NO.: 6		
SCALE: NTS		SHEET 1 OF 1				