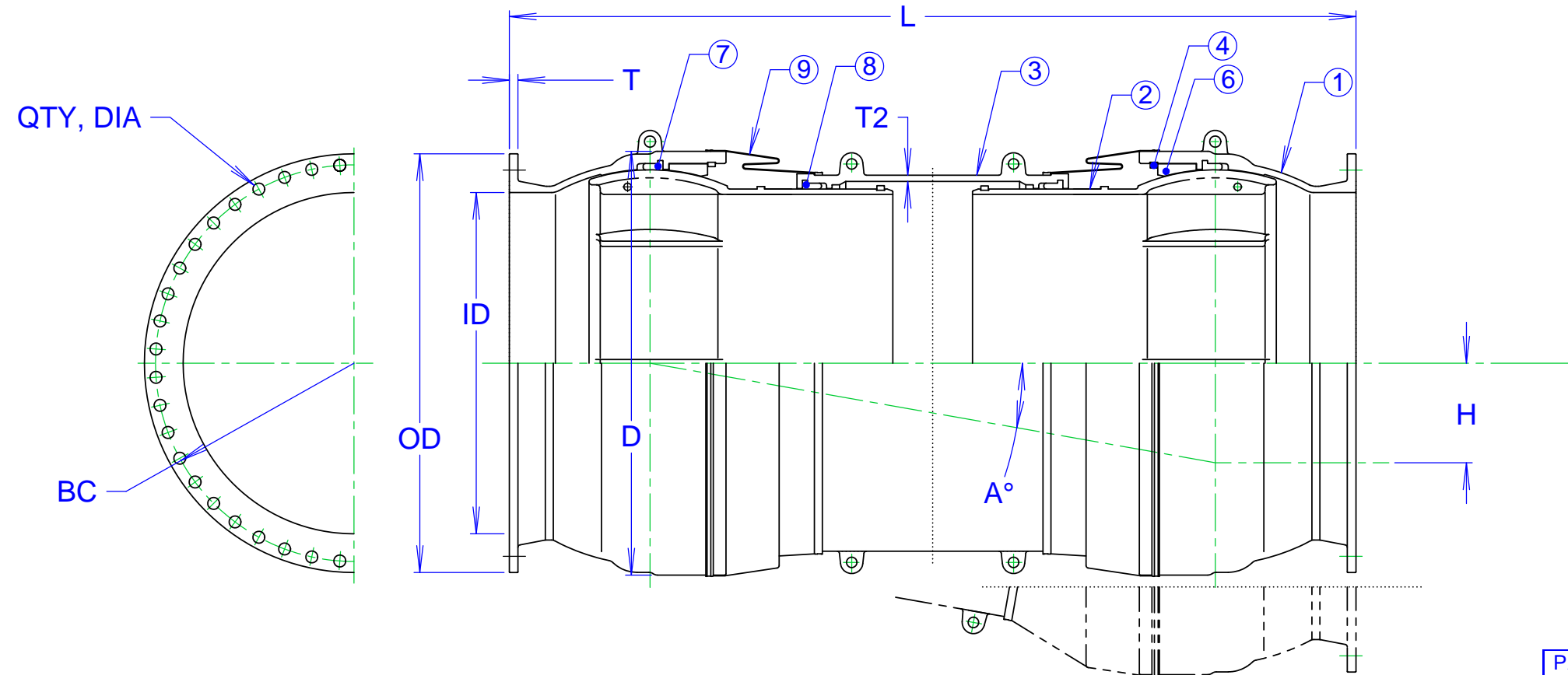



REVISIONS			
REV.	DESCRIPTION	DATE	APPROVED
0	INIITAL RELEASE	7/31/2003	DH EATON
1	ADDED 20" OFFSET SIZE	2/20/2008	DH EATON
2	NAME WAS FLEXIJOINT, UPDATED FORMAT, DWG WAS B2256-B	12/14/2012	N THOGERSEN



DIMENSIONS													
SIZE	OFFSET H	ØD	L	ANGLE A	EXPANSION/CONTRACTION	T2	OD	BC	ID	T	BOLT		EST WGT., LBS.
											QTY	DIA	
54	11.8	67.0	112.2	10.0°	+7.9/ -5.9	1.0	66.3	62.8	54.0	1.38	44	1.88	14,500
54	15.7	67.0	133.9	10.0°	+13.8/ -9.8	1.0	66.3	62.8	54.0	1.38	44	1.88	15,750
54	20.0	67.0	156.3	10.0°	+13.8/ -9.8	1.0	66.3	62.8	54.0	1.38	44	1.88	17,045

PART NO.	QTY.	NAME	MATERIAL
1	2	CASING	DUCTILE IRON
2	2	BALL SLEEVE	DUCTILE IRON
3	1	SLEEVE	DUCTILE IRON
4	2	LOCKRING	DUCTILE IRON
5	2	LOCKRING	DUCTILE IRON
6	2	CASING PIECE	DUCTILE IRON
7	2	RUBBER RING	SBR
8	2	RUBBER RING	SBR
9	2	CASING COVER	SBR

- NOTE:
- FUSION BONDED EPOXY APPLIED TO ALL DUCTILE IRON COMPONENTS.
 - FLANGE COMPATIBLE WITH CLASS 150 DRILLING.

PROPRIETARY NOTICE	UNLESS OTHERWISE SPECIFIED	SIGNATURES	DATE		ROMAC INDUSTRIES INC. TITLE FJ-RESTRAINT 54", DOUBLE BALL, FLANGED
THIS DRAWING CONTAINS CONFIDENTIAL PROPRIETARY INFORMATION AND IS THE PROPERTY OF ROMAC IND., INC. IT IS TO BE USED ONLY FOR THE PURPOSE FOR WHICH IT WAS SUBMITTED AND SHALL NOT HAVE ITS INFORMATION DISCLOSED OR REPRODUCED IN WHOLE OR IN PART FOR ANY PURPOSE WITHOUT PRIOR WRITTEN PERMISSION OF ROMAC IND., INC.	DIMENSIONS ARE IN INCHES TOLERANCES ARE ON: 1 PL DECIMALS ± 0.060 2 PL DECIMALS ± 0.030 3 PL DECIMALS ± 0.010 ANGLES ± 1° FRACTIONS ± 1/64	DRAWN Niels Thogersen	12/14/2012		
		APPROVED Niels Thogersen	12/14/2012	DWG. NO. CAD-004818	SIZE B
				REV. NO. R0	SCALE 1:30
				SHEET 1 OF 1	

MODEL NAME:
CONFIGURATION NAME:

MODEL CAD #:

LEGACY DRAWING #: B2256-B
DRAWING FILE NAME: FJ-Restraint 54in

AUTHOR: