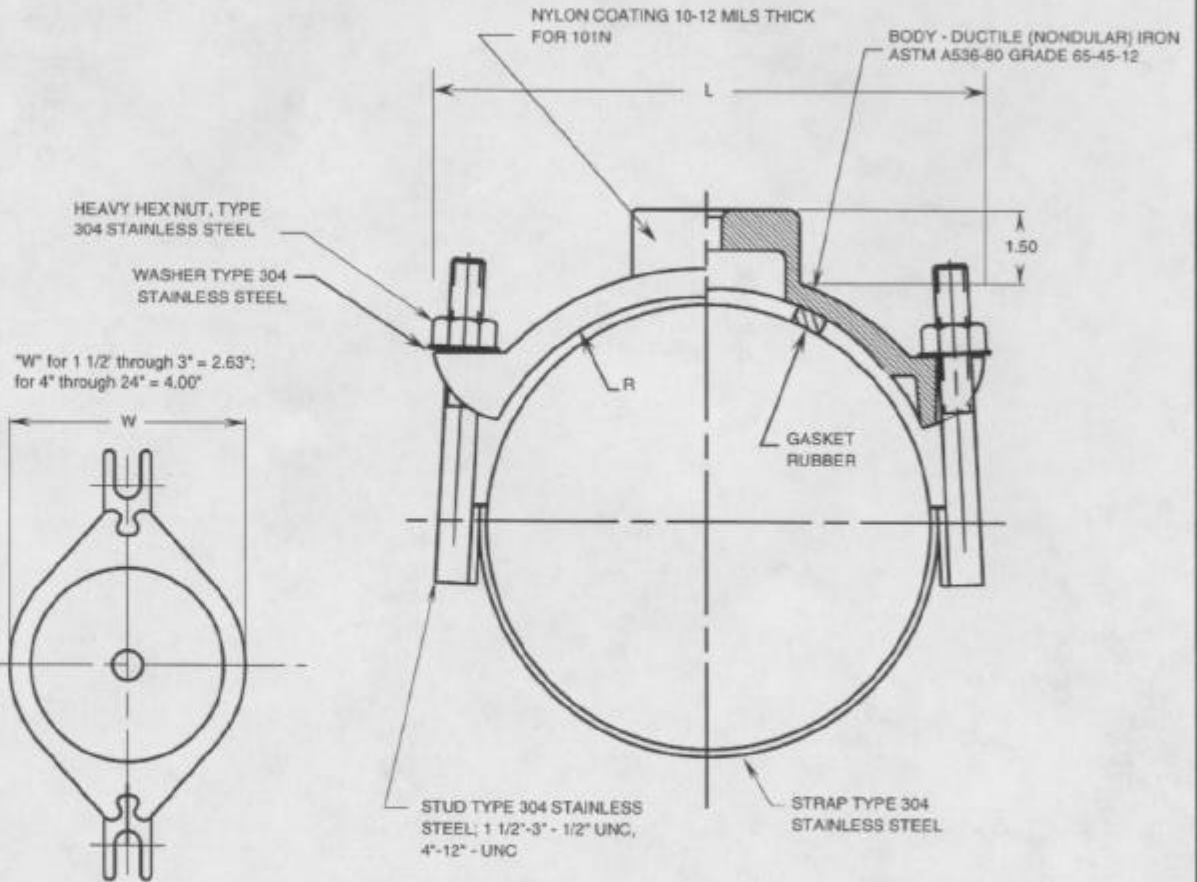



REVISIONS

REV	DESCRIPTION	DATE	APPROVED
-----	-------------	------	----------

NOMINAL SIZE	O.D. PIPE RANGE	LENGTH(L)	RADIUS(R)
1 1/2"	1.90 - 2.13	4.688	1.07
2"	2.38 - 2.50	4.500	1.25
3"	3.45 - 4.05	5.563	2.21
	4.00 - 4.50	6.875	2.25
4"	4.50 - 4.80	6.875	2.40
	4.50 - 5.40	7.563	2.70
	6.00 - 6.63	8.750	3.32
6"	6.63 - 6.90	8.875	3.45
	6.63 - 7.60	9.625	3.80
	8.00 - 8.63	10.750	4.32
8"	8.63 - 9.05	11.125	4.53
	8.63 - 9.80	11.750	4.90
	10.00 - 10.75	13.375	5.38
10"	10.75 - 11.10	13.125	5.55
	11.10 - 12.12	14.000	6.06
	12.00 - 12.75	15.313	6.38
12"	12.75 - 13.20	15.125	6.60
	13.20 - 14.38	16.188	7.19



UNLESS OTHERWISE SPECIFIED DIMENSIONS ARE IN INCHES TOLERANCES ARE ON: 2 PL DECIMALS +/- 3 PL DECIMALS +/- ANGLES +/- FRACTIONS +/-	SIGNATURES	DATE	 ROMAC IND. INC., SEATTLE WA TITLE 101S&N NYLON SADDLE (1 1/2"-12")
	DRWN J. GREGOR	10/28/97	
	CHECKER <i>[Signature]</i>	12/12/97	
	ENGRG		
	ISSUED		
		SIZE A	DWG. NO. B1507-A
		SCALE NTS	SHEET 1 OF 1