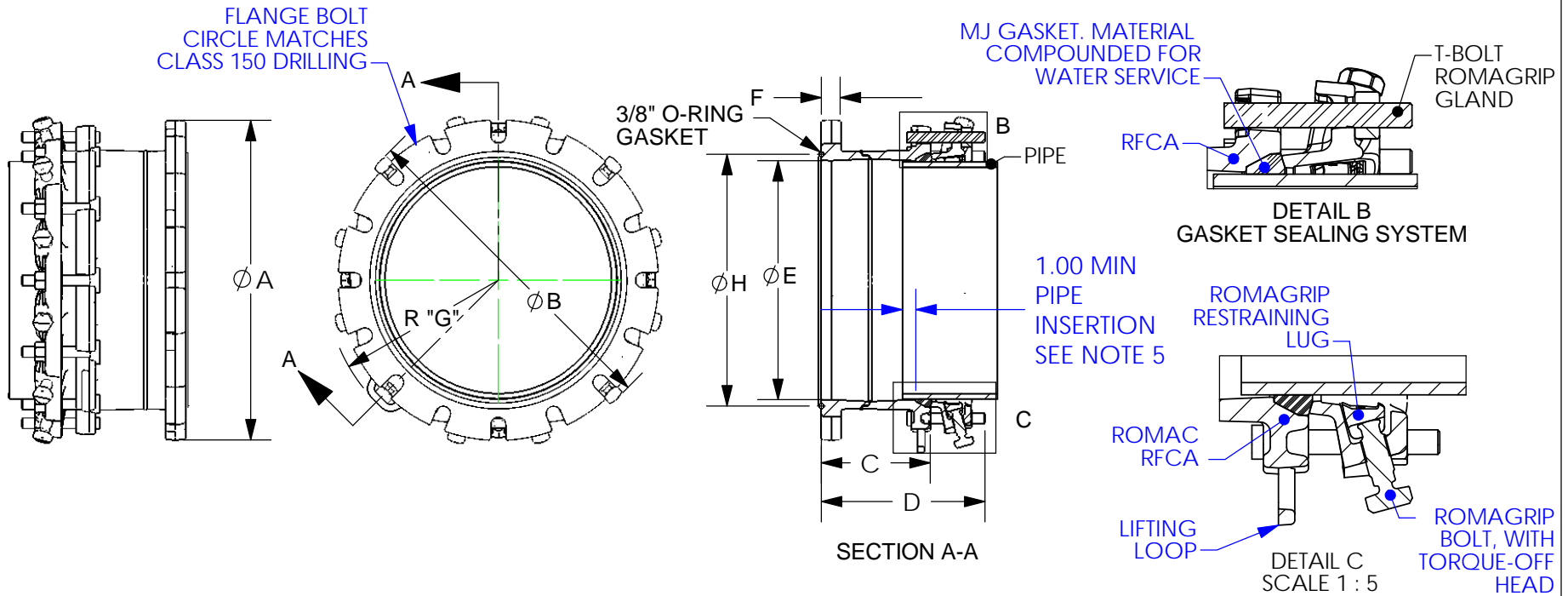


REVISIONS			
REV.	DESCRIPTION	DATE	APPROVED
0	INITIAL RELEASE	1/11/2002	NST III
1	CHANGED NAME TO RFCA. WAS FCR	12/20/2002	NST III
2	ADDED NOTE 5 & ADDED 10" MIN DIMENSION	2/4/2003	NST III
3	ADDED PVC PIPE TO NOTE 4. ADDED "F" DIM.	5/6/2004	NST III
4	ADDED LOOP TO RFCA	2/5/2007	NST III
5	PRESSURE RATING FOR 18-24 WAS 275 PSI	5/28/2009	NST III
6	REVISED NOTE 1 TO CLARIFY APPLICATION OF NSF RATING	5/13/2011	SH
7	ADDED O-RING GASKET AND COLUMN H	12/8/11	SH



**NOTES:**

1. COATING: ROMAC SHOPCOAT PAINT. NSF 61 CERTIFIED FUSION BONDED EPOXY AVAILABLE.
2. PRESSURE RATING: SEE TABLE.
3. DUCTILE IRON AND T-BOLTS PER AWWA C111. STAINLESS STEEL FASTENERS AVAILABLE.
4. FOR USE ON DUCTILE IRON AND PVC PIPE (A ROMAC RG-PVC RESTRAINER IS REQUIRED FOR PVC).
5. THE MINIMUM PIPE INSERTION IS 1.0" AT BOTH ZERO DEFLECTION AND AT MAXIMUM DEFLECTION VALUES (SEE TABLE).

NOM. SIZE	DEFL. (deg)	FLG OD A	RG MAX B	T BOLTS			PRESS. (PSIG)		DIMENSIONS						WGT, LBS
				QTY	SIZE	LGTH	WKG	TEST	C	D	E	F	G	H	
14	2.0	21.0	22.0	10	3/4"	4.5	275	400	8.00	11.70	15.44	1.38	11.59	16.38	170
16	2.0	23.5	24.1	12	3/4"	4.5	275	400	8.00	11.70	17.54	1.44	12.72	18.48	200
18	1.5	25.0	26.3	12	3/4"	4.5	250	400	8.00	11.80	19.64	1.45	13.88	20.57	217
20	1.5	27.5	28.4	14	3/4"	4.5	250	400	8.00	11.80	21.74	1.47	14.63	22.63	256
24	1.5	32.0	32.6	16	3/4"	5.0	250	400	8.00	12.00	25.94	1.50	17.06	26.88	305

<p>PROPRIETARY NOTICE</p> <p>THIS DRAWING CONTAINS CONFIDENTIAL PROPRIETARY INFORMATION AND IS THE PROPERTY OF ROMAC IND., INC. IT IS TO BE USED ONLY FOR THE PURPOSE FOR WHICH IT WAS SUBMITTED AND SHALL NOT HAVE IT'S INFORMATION DISCLOSED OR REPRODUCED IN WHOLE OR IN PART FOR ANY PURPOSE WITHOUT PRIOR WRITTEN PERMISSION OF ROMAC IND., INC.</p>	<p>UNLESS OTHERWISE SPECIFIED</p> <p>DIMENSIONS ARE IN INCHES</p> <p>TOLERANCES ARE ON:                      1 PL DECIMALS ± .060                      2 PL DECIMALS ± .030                      3 PL DECIMALS ± .010                      ANGLES ± 1°                      FRACTIONS ± 1/64</p>	SIGNATURES			<p>ROMAC INDUSTRIES INC.,                      BOTHELL, WA</p>						
		DRAWN			TITLE						
		CHECKED			<p>14" - 24" RFCA                      RESTRAINED FLANGED                      COUPLING ADAPTER</p>						
APPROVAL ORGANIZATIONS ENGINEERING		DWG. NO.		SIZE	REV. NO.	SCALE	SHEET				
		B1950-A		A	7	NTS	1 OF 1				