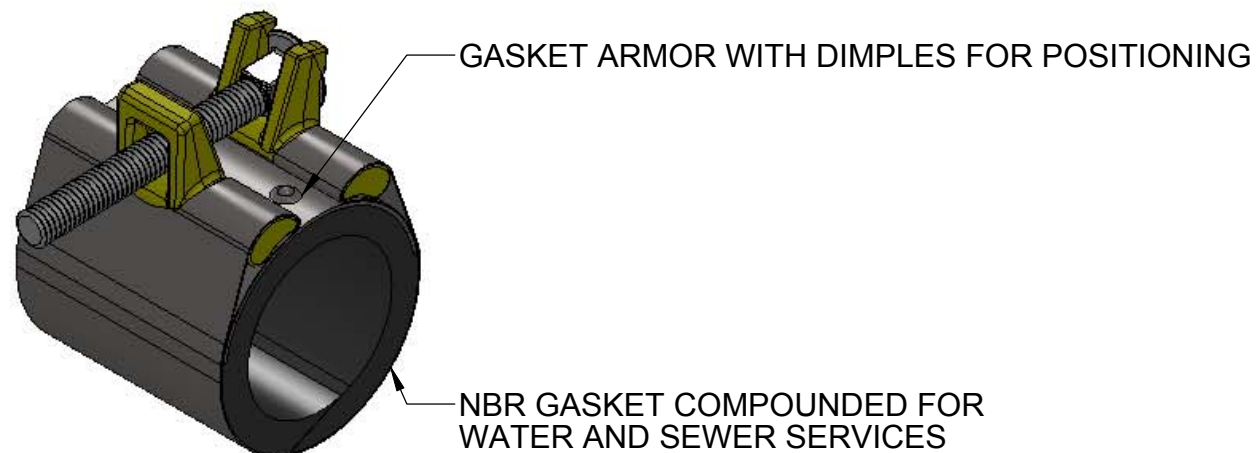


B3731-B

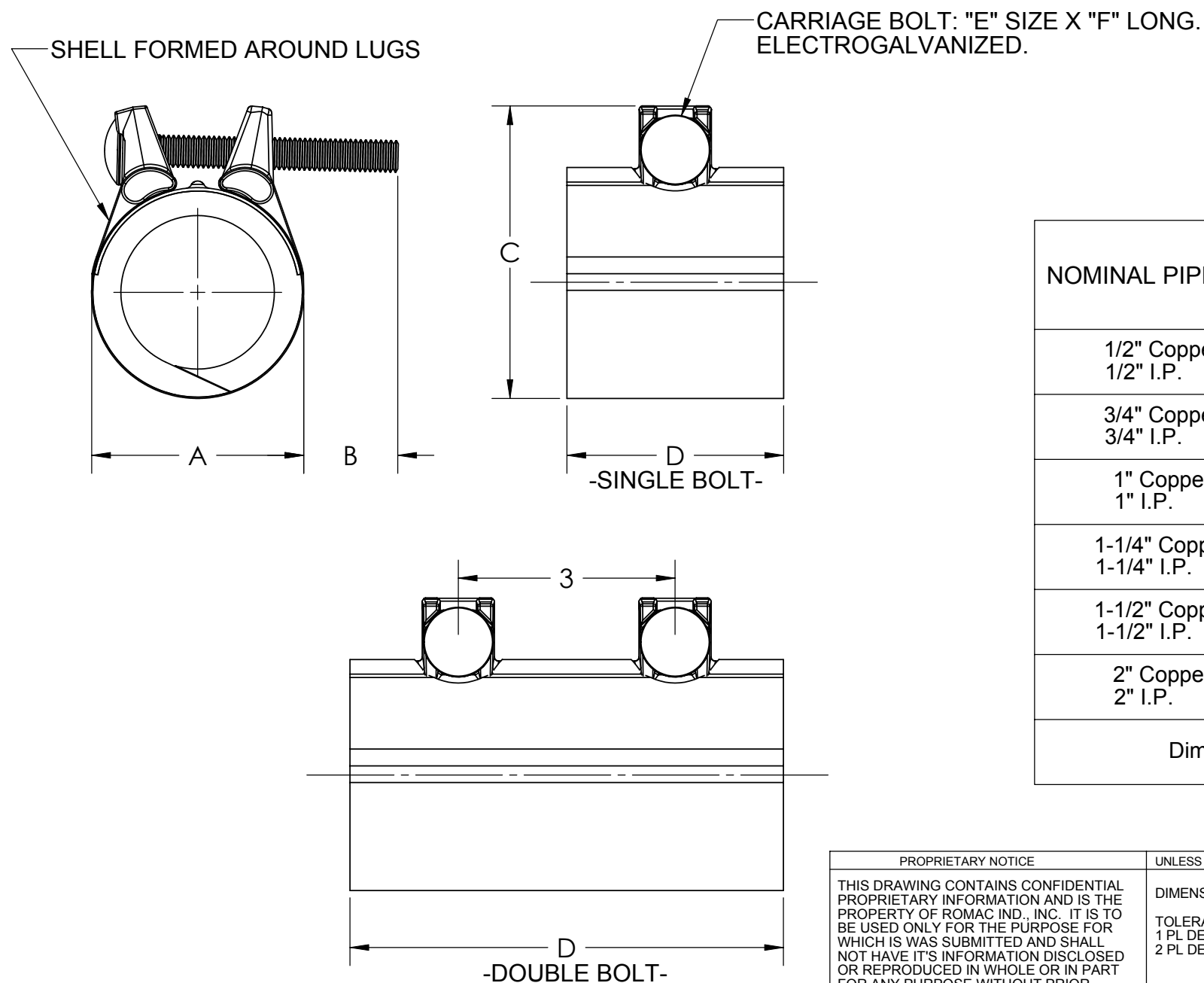
REVISION NUMBER	DESCRIPTION	DATE	APPROVED
0	INITIAL RELEASE	7/13/2010	MIKK KASCHKO



NOTES:


1. MATERIALS:

- SHELL AND ARMOR: ASTM A240 TYPE 304 STAINLESS STEEL.
- LUGS: ASTM A197, CUPOLA MALLEABLE IRON. ASTM A153 ZINC PLATING.
- FASTENERS: CARBON STEEL, ELECTRO GALVANIZED WITH DICHROMATE FINISH.
- GASKET: NBR MATERIAL, COMPOUNDED FOR WATER AND SEWER SERVICE, CONFORMING TO ASTM D2000



NOMINAL PIPE SIZE	CATALOG NUMBER	DIMENSION				BOLTS		
		A	B	C	D	E	F	
1/2" Copper 1/2" I.P.	SCC-063 x length SCC-084 x length	1.60	1.4	2.10	3.0	6.0	3/8	2.96
3/4" Copper 3/4" I.P.	SCC-088 x length SCC-105 x length	1.60	1.5	2.40				
1" Copper 1" I.P.	SCC-113 x length SCC-132 x length	1.90	1.2	2.70				
1-1/4" Copper 1-1/4" I.P.	SCC-138 x length SCC-166 x length	2.20	1.0	3.10				
1-1/2" Copper 1-1/2" I.P.	SCC-163 x length SCC-190 x length	2.30	1.2	3.20				
2" Copper 2" I.P.	SCC-213 x length SCC-238 x length	3.00	1.2	4.00			7/16	3.69

Dimensions are subject to change without notice. Please contact Romac Industries for changes.

<p>PROPRIETARY NOTICE</p> <p>THIS DRAWING CONTAINS CONFIDENTIAL PROPRIETARY INFORMATION AND IS THE PROPERTY OF ROMAC IND., INC. IT IS TO BE USED ONLY FOR THE PURPOSE FOR WHICH IT WAS SUBMITTED AND SHALL NOT HAVE IT'S INFORMATION DISCLOSED OR REPRODUCED IN WHOLE OR IN PART FOR ANY PURPOSE WITHOUT PRIOR WRITTEN PERMISSION OF ROMAC IND., INC.</p>	<p>UNLESS OTHERWISE SPECIFIED</p> <p>DIMENSIONS ARE IN INCHES</p> <p>TOLERANCES ARE ON: 1 PL DECIMALS ± .200 2 PL DECIMALS ± .100</p>	<p>SIGNATURES</p> <p>DRAWN</p> <p>Mikk Kaschko</p> <p>CHECKED</p> <p>APPROVAL ORGANIZATIONS</p>	 <p>ROMAC INDUSTRIES INC., BOTHELL, WA</p> <p>TITLE</p> <p>Full Circle Snap Clamp (SCC) Sizes: 1/2" - 2" Copper and I.P.</p>
DRAWING FILE NAME: B3731-B		MODEL NAME: Clampette SCC	CONFIGURATION NAME: Default
		DWG. NO. B3731-B	SIZE B
		REV. NO. 0	SCALE 1:1
		SHEET 1 OF 1	
		AUTHOR: Mikk Kaschko	