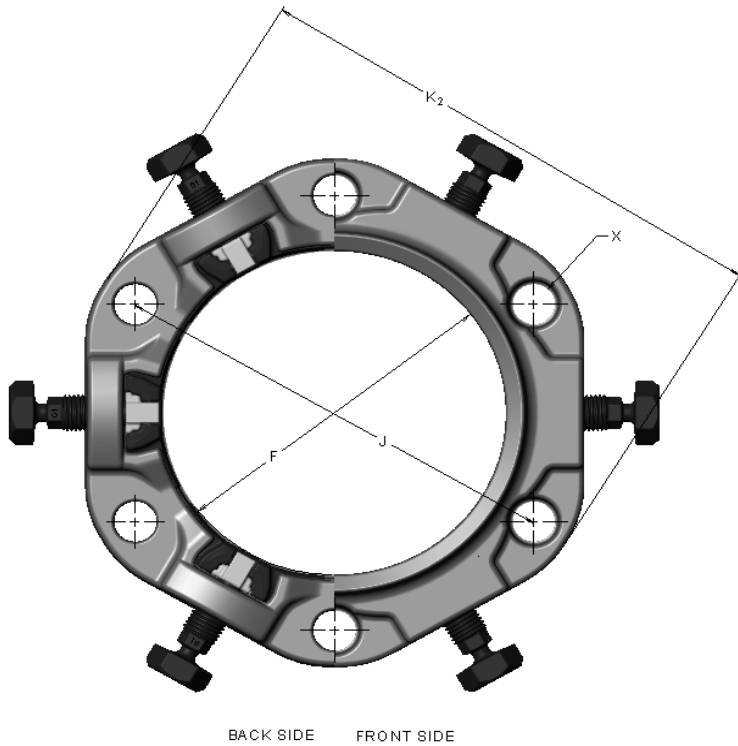
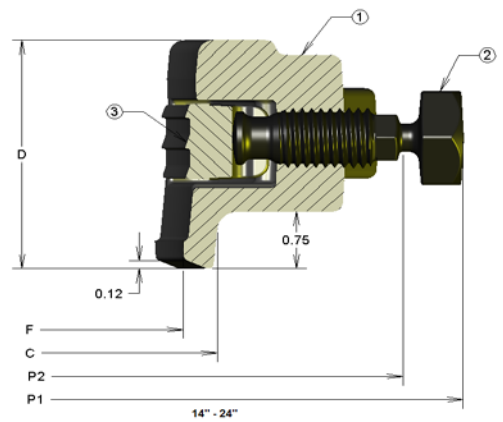
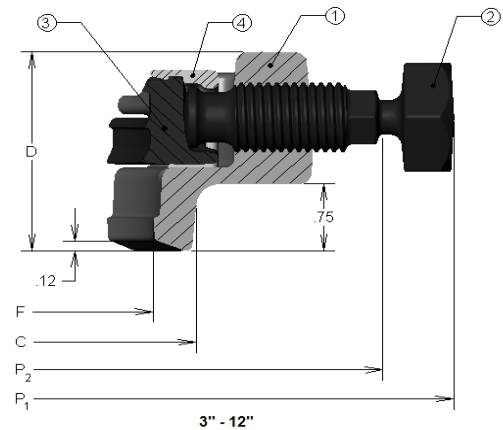


ROMAGRIP FOR PVC MECHANICAL JOINT RESTRAINING GLAND



- 1 Gland
- 2 Restraining Bolt
- 3 Lug
- 4 Lug Locator



Nom. Pipe Size	O.D.	Catalog Number	Pressure Rating					No. Of Lugs	Approx. Weight	P ₁ *	P ₂ **	C	D	K ₂	F	J	X
			C-900/C-905			IPS PVC											
			DR-14	DR-18	DR-25	SDR-21	SDR-26										
3"	3.96	3" RG-PVC	305psi	235psi	165psi	200psi	160psi	4	7.9	10.5	8.5	4.8	2.3	7.7	4.1	6.2	3/4
4"	4.80	4" RG-PVC	305psi	235psi	165psi	200psi	160psi	4	10.0	11.4	9.4	5.9	2.3	9.1	5.0	7.5	7/8
6"	6.90	6" RG-PVC	305psi	235psi	165psi	200psi	160psi	6	12.8	13.5	11.4	8.0	2.3	11.1	7.1	9.5	7/8
8"	9.05	8" RG-PVC	305psi	235psi	165psi	200psi	160psi	6	16.0	15.6	13.5	10.1	2.3	13.4	9.2	11.8	7/8
10"	11.10	10" RG-PVC	305psi	235psi	165psi	200psi	160psi	8	19.5	17.7	16.9	12.2	2.3	15.6	11.3	14.0	7/8
12"	13.20	12" RG-PVC	305psi	235psi	165psi	200psi	160psi	8	22.8	19.8	17.7	14.4	2.3	17.9	13.4	16.3	7/8
14"	15.30	14" RG-PVC	X	235psi	165psi	X	X	10	47.2	11.2	10.2	16.4	2.6	20.6	15.5	18.8	7/8
16"	17.40	16" RG-PVC		235psi	165psi			12	55.5	12.2	11.2	18.5	2.8	22.9	17.6	21.0	7/8
18"	19.50	18" RG-PVC		200psi	165psi			12	68.1	13.3	12.3	20.6	3.0	25.1	19.7	23.3	7/8
20"	21.60	20" RG-PVC		200psi	165psi			14	74.2	14.3	13.5	22.7	3.1	27.4	21.8	25.5	7/8
24"	25.80	24" RG-PVC		165psi	165psi			16	96.6	16.4	15.4	26.8	3.4	31.9	26.0	30.0	7/8

* Maximum O.D of RomaGrip before restraining bolt heads have been broken off (as recieved).

** Maximum O.D. of RomaGrip on pipe after restraining bolts have been tightened and the heads broken off.