



Actual 1999 field photo, N. Carolina - Hurricane Floyd washed the road out, leaving a 70 foot crevasse. At a height of 12 feet, the 12 inch water main remained operational, under pressure the whole time due to the Romac GripRings installed on the pipe. It was the only water main serving a town of more than 11,000.

The top five reasons engineers specify the GripRing™ pipe restraint

- Simple to install
- True Full Circumferential Restraint
- No radial bolts to tighten
- Innovative Design
- When the road washes out, your water main won't go with it



ROMAC INDUSTRIES, INC.

1.800.426.9341 • www.romac.com

21919 20th Avenue SE • Bothell, WA 98021

114 Eason Road • Dallas, NC 28034

The GripRing's wedge action provides the restraint required for your application.

The ductile iron GripRing is specially machined for positive restraint while not overstressing the pipe

Rated to full working pressure of pipe

GripRing pipe restrainers may be used at the full rated capacity of the pipe, including an allowance for pressure surges.

Built in stop to prevent damage to pipe

The "gap" in each GripRing completely closes before a pipe can be excessively stressed.

The GripRing provides the restraint required for your application.

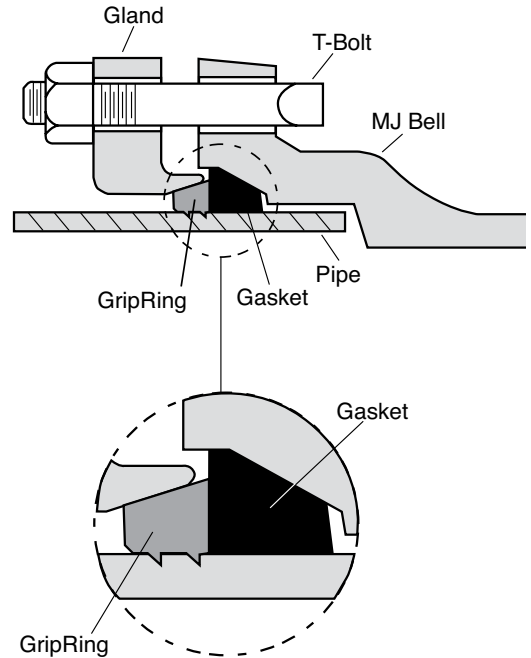
After the GripRing is engaged by tightening the T-bolts, the system responds dynamically to pressure changes in the pipe, providing the restraint required. Restraining systems using radial bolts or pads need to be pretightened enough to restrain the "worst case" pressure conditions.

The Ring flexes to accommodate deflection allowed in a Mechanical Joint

Restrains under misalignment conditions often found in the field.

The gland is painted yellow to avoid confusion

Since the gland used with the GripRing restraint system is similar in looks to a standard MJ Gland, it is painted yellow. The inspector can easily see that a restrainer has, in fact, been used.



Distributed by:

For more information and the name of the distributor in your area, call toll-free **1-800-426-9341**.



**ROMAC
INDUSTRIES,
INC.**

21919 20 Avenue SE • Bothell, WA 98021
1.800.426.9341 • www.romac.com